



**ENVIRONMENTAL PERMIT VARIATION APPLICATION –
SUPPORTING STATEMENT**

**CROFT QUARRY
MARION'S WAY
CROFT
LEICESTERSHIRE
LE9 3GP**

**Document Reference: AI1009/06.R0
June 2024**



**Project Quality Assurance
Information Sheet**

**ENVIRONMENTAL PERMIT VARIATION APPLICATION – SUPPORTING STATEMENT
CROFT QUARRY, MARION’S WAY, CROFT, LEICESTERSHIRE, LE9 3GP**

Report Status : Final
Report Reference : AI1009/06.R0
Report Date : June 2024
Prepared for : Aggregate Industries UK Limited
Prepared by : Sirius Environmental Limited
The Beacon Centre for Enterprise
Dafen
Llanelli
SA14 8LQ

Written by :

David Rowe
Environmental Consultant

Reviewed by :

Dylan Thomas BSc
Principal Environmental Consultant

Approved by :

Mark Griffiths
Environmental Director

Revision	Date	Amendment Details	Author	Reviewer
0	June 2024	First Issue	DR	DT

This report is written for the sole use of Aggregate Industries UK Limited and their appointed agents. No other third party may rely on or reproduce the contents of this report without the written approval of Sirius. If any unauthorised third party comes into possession of this report, they rely upon it entirely at their own risk and the authors do not owe them any Duty of Care or Skill.

**CROFT QUARRY
MARION'S WAY
CROFT
LEICESTERSHIRE
LE9 3GP**

ENVIRONMENTAL PERMIT VARIATION APPLICATION

SUPPORTING STATEMENT

CONTENTS

1	INTRODUCTION.....	1
1.1	Scope and Background.....	1
1.2	Application Type & Fee.....	2
2	VARIATION TO ENVIRONMENTAL PERMIT BOUNDARY	4
2.1	General.....	4
2.2	Proposed Incorporation of Additional Land.....	4
3	VARIATION TO EXISTING WASTE TREATMENT ACTIVITIES	6
3.1	Operational Boundary Changes	6
3.2	Revision to the Specified Limits of the Activity	6
3.3	Extend List of Permitted Wastes	6
4	ADDITION OF DEPOSIT OF WASTE FOR RECOVERY ACTIVITY.....	7
4.1	General.....	7
4.2	Waste Deliveries.....	7
5	ENVIRONMENTAL MANAGEMENT SYSTEM SUMMARY.....	8
5.1	Introduction.....	8
5.2	Waste Management and Control.....	8
5.3	Site Engineering Proposals.....	8
5.4	Water Management Plan	9
5.5	Amenity Management and Monitoring.....	9
5.6	Management Systems	12
5.7	Accident Management	17
5.8	Aftercare	20

LIST OF DRAWINGS

AI1009/14/01	Site Location Plan
AI1009/14/02	Site Boundaries Plan
AI1009/14/03	Waste Deposition Plan
AI1009/14/04	Waste Treatment Operational Layout Plan
AI1009/14/05	Site Monitoring Plan

LIST OF APPENDICES

Appendix SS1	Enhanced Pre-Application Consultation Meeting Minutes
Appendix SS2	List of Additional Wastes – Waste Treatment Activity
Appendix SS3	Croft Quarry Water Management Plan
Appendix SS4	Aggregate Industries UK Limited’s ISO Accreditation
Appendix SS5	Technically Competent Manager’s WAMITAB Qualifications

LIST OF FIGURES

Figure SS1:	Deposit of Waste for Recovery Operation Management Structure.....	13
-------------	---	----

LIST OF TABLES

Table SS1:	Aftercare Phase Ground Gas Monitoring Schedule	20
------------	--	----

1 INTRODUCTION

1.1 Scope and Background

1.1.1 Sirius Environmental Limited (Sirius) has been commissioned by Aggregate Industries UK Limited ('AI'), to prepare an application to vary Environmental Permit: EPR/EB3708GW to extent the existing waste treatment activity and add a waste recovery activity involving the permanent deposit of wastes to support the restoration of Croft Quarry, Marion's Way, Croft, Leicestershire, LE9 3GP. AI are seeking to commence a restoration scheme of the quarry void which will bring the final restoration levels to below those of the surrounding natural ground levels, in accordance with the scheme fo restored agreed with the Mineral Planning Authority. The location of the quarry relative to its surrounding is presented on **Drawing Nos. AI1009/14/01 and AI1009/14/02.**

1.1.2 The waste recovery operations will partially fill the void created by previous granite extraction operations. The quarry void space will require restoration material of an approximate volume of 14,000,000 m³. This will comprise of low risk imported selected non-biodegradable, non-hazardous wastes. Such wastes which will not undergo any significant physical, chemical, or biological transformations and as such will result in negligible pollution potential with respect to the production of landfill gas or leachates.

1.1.3 The restoration proposals will also incorporate a wetland habitat that will also provide long-term flood attenuation for the surface water run-off from the surface of the restored quarry void, and the retained quarry sidewalls which is currently managed within the quarry void area. The approved scheme of restoration will ensure that restoration levels will reach approximately 15mAOD. Additionally, the restoration profile will ensure that the adjacent geological SSSI located within Croft Quarry is preserved. The restored quarry floor will consist primarily of shallow reed bed wetlands with a variety of grassland types interspersed with native woodlands.

1.1.4 In addition to including a Deposit of Waste for Recovery Operation to EPR/EB3708GW, this application seeks to change the scope fo the physical waste treatment operations already authorised by the permit.

1.1.5 The following documents have been included as part of this application to vary the existing Environmental Permit:

- Environmental Permit Application Forms A1, C2, C4 and F1;
- Non-Technical Summary;
- Supporting Statement;
- Environmental Setting and Site Design (ESSD) Report;
- Stability Risk Assessment (SRA);
- Hydrogeological Risk Assessment (HRA);
- Landfill Gas Risk Assessment (LFGRA)
- Environmental & Accidents Risk Assessment (EARA);
- Dust Management Plan (DEMP);
- Noise Management Plan (NMP); and
- Drawings.

1.1.6 The ESSD Report conceptualises the site in terms of the potential source pathway and receptors relationships to support the various risk assessments required to support the application. Furthermore, the ESSD Report provides a statement of condition for areas which will not receive permanent deposits of

waste, including the areas that will be used to undertake the waste treatment activities.

1.1.7 The HRA includes the development of a conceptual site model for the proposed waste recovery operation and identification of the potential source-pathway-receptor linkages and direct and indirect pollution risks to surrounding hydrogeological environment. It also extends to an assessment of the risk from the discharge of water managed within the extraction void to the River Soar via the existing consented point of discharge.

1.1.8 The LFGRA qualifies the risk potential associated with the permanent deposit so non-degradable waste streams together with the proposed monitoring strategy.

1.1.9 The SRA extends to an quantitative assessment of the stability of the basal and sidewall Artificial Established Geological Barrier (AEGB) systems as well as the temporary and final waste slopes to demonstrate an adequate factor of safety.

1.1.10 The EARA considers risk posed by the waste activities to the local amenity from potential fugitive emissions and accidents. A summary of the management measures in place to manage any associated risks is also included.

1.1.11 The DEMP and NMP documents outline measures to be employed, as required, to prevent any unacceptable noise emissions emanating from the site.

1.1.12 In summary, the main requirements of this application are:

- Extension of the environmental permit boundary;
- Vary the operational area of the existing permitted waste treatment activities
- Extend the scope of the existing physical waste treatment activities to include soil washing to produce various grades of secondary aggregates;
- Extension of associated waste codes and annual waste throughput limits for the physical waste treatment activity;
- Addition of waste recovery activity involving the permanent deposit of non-degradable non-hazardous wastes to support the restoration of the quarry void, including the operation of railhead delivery, associated temporary storage and overhead conveyor delivery systems.

1.1.12 This application constitutes the resubmission of an application originally submitted for a similar proposals in August 2022. The primary deviations relates to the incorporation of a AEGB to conform with the requirements of Schedule 22 of EPR and revised scope of variations to the existing physical waste treatment activities as well as extending the waste for deposit to non-hazardous non-degradable wastes. Enhanced Pre-Application discussions were held with the Environment Agency prior to the submission of this application.

1.1.13 Copies of the official Pre-Application Response Documents are presented in **Appendix SS1**.

1.2 Application Type & Fee

1.2.1 Based on the scope of the application and a review of the current Environmental Charging Scheme and associated guidance, the class of application and the associated charges have been derived as follows:-

- Normal variation of the existing waste treatment activity, based on charging table ref.: 1.16.12 (physical treatment of non-hazardous waste) - **£3,965**
- New application fee for the addition of an activity involving the deposit of waste for recovery based on charging table ref.: 1.17.9 (deposit of waste for recovery)- **£9,207**
- Assessment of a Dust Emission Management Plan - **£1,241**
- Assessment of a Noise Management Plan - **£1,246**
- Habitats Assessment - **£779**

1.1.1 The total application fee has been calculated to amount to **£16,438**.

1.1.2 The Waste Recovery Plan has already been assessed by the Environment Agency as part of the pre-application consultation engagement associated with this resubmission.

2 VARIATION TO ENVIRONMENTAL PERMIT BOUNDARY

2.1 General

- 2.1.1 Presently the permit boundary for EPR/EB3708GW covered an area sufficiently large enough to facilitate the operation of the physical waste treatment activities.
- 2.1.2 To facilitate the restoration of Croft Quarry via an activity involving the permanent deposits of waste as recovery to account for the revised scope of operation associated with the physical waste treatment activity is proposed to extend the Environmental Permit Boundary for EPR/EB3708GW.
- 2.1.3 The current extent of the Environmental Permit Boundary Associated with physical waste treatment operation is depicted in Schedule 7 of EPR/EB3708GW. The revised Environmental Permit Boundary to accommodate all permitted activities is depicted in **Drawing No. AI1009/14/02**.
- 2.1.4 In addition to depicting the extent of the revised Environmental Permit Boundary, **Drawing No. AI1009/14/02** also delineates the extents of the permanent waste deposits and the area of land within which the waste reception, storage, and treatment operations; including physical waste treatment operations, will be undertaken.

2.2 Proposed Incorporation of Additional Land

- 2.2.1 As discussed above, AI wish to incorporate additional land into the Environmental Permit Boundary for EPR/EB3708GW to commence the restoration of the Croft Quarry void and allow for the relocation of physical waste treatment operations to facilitate further mineral extraction (and restoration) activities.
- 2.2.2 Conceptualisation of the additional area of land for incorporation into the permit boundary is included within the ESSD Report submitted as part of this application (*Doc Ref.: AI1009/07*). The ESSD conceptualises the site in terms of the potential source pathway and receptors relationships, developed an understanding of baseline environmental conditions and sensitive receptors associated with the permitted facility.
- 2.2.3 In addition to conceptualising the site, the ESSD provides a statement of condition for areas which will not receive permanent deposits of waste. In particular these areas comprise of locations identified in **Drawing No. AI1009/14/02** as areas within which the waste reception, storage and treatment operations will be undertaken.
- 2.2.4 The information presented within the ESSD report establishes the baseline site conditions for the Croft Quarry facility, in terms of geology, surface water and groundwater conditions and their sensitivity.
- 2.2.5 The historic land use of the site does not identify any significant potentially contaminative land uses, other than the historic Croft and Cheney End Landfills.
- 2.2.6 Potential contaminants associated with such activities are fundamentally different to those associated with infilling operation and accordingly, it is considered that the baseline conditions with regard to proposed waste recovery development are well understood.

- 2.2.7 Consequently, it is considered that the conceptualisation of source-pathway-receptor linkages, identification of baseline environmental conditions and sensitive receptors presented in the accompanying ESSD (and associated supporting risk assessments) is sufficient to facilitate the incorporation of land to achieve the Environmental Permit Boundary presented in **Drawing No. AI1009/14/02.**

3 VARIATION TO EXISTING WASTE TREATMENT ACTIVITIES

3.1 Operational Boundary Changes

3.1.1 The physical waste treatment activity permitted under EPR/EB3708GW is restricted to two small defined areas located in the western section of ancillary operations area that is located to the south of the main quarry void.

3.1.2 The proposed operational areas for the screening and crushing treatment operations will be extended within the western section of the ancillary operations areas, whilst also incorporating additional areas to carry out additional physical treatment operations within the central and eastern sections of the northern part of the ancillary operations area.

3.1.3 The operational layout for the physical treatment activities has been principally defined through the areas available and by the results of the Noise Impact Assessment that supports this application.

3.1.4 The baseline condition of this additional area or land on which the treatment activities will operate is assessed in the ESSD (*Doc. Ref.: AI1009/07*) prepared in support of this application. The operational layout of the waste treatment activity is defined in **Drawing No. AI1009/14/04**.

3.2 Revision to the Specified Limits of the Activity

3.2.1 The existing waste treatment activities will be extended to include soil washing in order to produce various grades of secondary aggregate. These activities will make use of a soil wash plant and will be located towards the northeastern section of the quarry ancillary operations area.

3.2.2 The total quantity of waste to be treated via the physical waste treatment activities will be increased from 190,000tpa to 340,000tpa, with this total apportioned to 190,000 tonnes for the screening and crushing operations and 150,000 tonnes for the soil washing operations.

3.2.3 The wash plant will utilise treated waters abstracted as part of the quarry dewatering requirements to separate/grade the mixture of soils particle sizes to produce various grades of sand, washed gravel and silt, whilst removing any potential organic and non-inert fractions. The process waters are subsequently discharged into a water treatment plant prior to discharge to the Rover Soar.

3.2.4 The location of the soil washing operations on site is shown in the Waste Treatment Operational Layout Plan (**Drawing No. AI1009/14/04**).

3.3 Extend List of Permitted Wastes

3.3.1 The revisions to the scope of the waste treatment operations will allow for a wider range of waste codes to be accepted for processing at the site. An updated list of permitted waste codes and descriptions for the waste treatment activity is presented in **Appendix SS2**.

4 ADDITION OF DEPOSIT OF WASTE FOR RECOVERY ACTIVITY

4.1 General

- 4.1.1 As discussed in **Section 1.0**, AI are seeking to add a waste recovery activity involving the permanent deposit of wastes to support the restoration of Croft Quarry.
- 4.1.2 The waste recovery operations will partially fill the void created by previous and future granite extraction operations. The quarry void space will require restoration material of an approximate volume of 14,000,000 m³. This will comprise of low risk imported selected non-biodegradable, non-hazardous wastes. Such wastes which will not undergo any significant physical, chemical, or biological transformations and as such will result in negligible pollution potential with respect to the production of landfill gas or leachates.
- 4.1.3 A summary of the Environmental Management Systems to be implemented at the site for all permitted activities is presented in **Section 6.0**.

4.2 Waste Deliveries

- 4.2.1 AI have recently acquired H. Sivyer Transport Limited ('Sivyer'), where the majority of the materials to be used in the waste recovery operations will initially be sourced from four sites operated by this company. These wastes will be subsequently transported to two rail depots operated by AI at Acton and Greenwich where they will be transported to Croft. Further details of the source sites are presented in the Waste Acceptance Procedures report (Doc. Ref.: AI1009/13) that accompanies this application.
- 4.2.2 To support these waste deliveries the existing rail sidings serving the quarry will be redeveloped to increase its operational capacity and introduce a rail handling shed that will be used to internalise the offloading operations. Waste transfers to the quarry void will also be serviced by the erection of an enclosed conveyor system. During the initial redevelopment phase of the site (~5 years) the existing rail sidings will be used during the day to receive waste material. During this redevelopment phase, wastes will be loaded onto dumper trucks for placement in the void. Upon re-routing of the internal rail sidings within the site and the construction of a Rail Handling Shed and conveyor system, it is anticipated that the majority of wastes (~90%) will be delivered to the site by rail over 24 hours. Materials that are delivered via rail will be unloaded in the rail handling shed and then transported directly to the quarry void via a conveyor system for deposition.
- 4.2.3 Details of the waste types for the site for deposit are presented in the accompanying ESSD Report (Doc. Ref.: AI1009/07). Waste acceptance procedures and criteria, as well as testing and sampling requirements in relation to the deliveries via rail are detailed in the Waste Acceptance Procedures document (Doc. Ref.: AI1009/14) that has been prepared to accompany this application.

5 ENVIRONMENTAL MANAGEMENT SYSTEM SUMMARY

5.1 Introduction

5.1.1 An EMS have been derived in accordance with guidance on best practice and best available techniques available, and in particular the following specific regulations and guidance contained in:

- Environmental Permitting (England and Wales) Regulations 2016 (as amended);
- Environmental Permitting Core Guidance (DEFRA, Updated March 2013);
- EA Guidance for Waste Recovery Plans and deposit for recovery permits (updated 29th June 2023).
- EA Guidance: Develop a management system: environmental permits (updated 3rd April 2023)
- Non-Hazardous and inert Waste: Appropriate measures for permitted facilities (updated 1st August 2023)

5.1.2 The EMS will be subject to continuous review and revision. In all circumstances, revisions will be subject to approval by the Environment Agency (EA).

5.1.3 Management of amenity issues are discussed in this document as well as being supported by Environmental & Accidents Risk Assessment (*Doc. Ref.: AI1009/10*) which has been completed in accordance with EA Guidance.

5.2 Waste Management and Control

5.2.1 Details of the permitted waste types for the site, the acceptance procedures and criteria, as well as testing and sampling requirements are detailed in the Waste Acceptance Procedures document (*Doc. Ref.: AI1009/14*) that has been prepared as part of this environmental permit application.

5.3 Outline Engineering Proposals

Waste Storage and Treatment

5.3.1 All waste accepted at the site will be stored and treated on areas of hardstanding. The only exception related to the storage of Pulverised Fuel Ash (PFA), which will continue to be stored on areas comprising impermeable pavement with a sealed drainage system.

Basal and Side Slope Engineering

5.3.2 Due to the deposit of waste beneath the water table, the base and sidewalls of the quarry will be engineered with an Artificially Established Geological Barrier (AEGB) to a minimum thickness of 500mm on its base and 1000mm on the sidewalls. The AEGB will be engineered to achieve a maximum permeability of 1×10^{-8} m/s. Further details on the construction of the AEGB are presented in the Stability Risk Assessment (*Doc. Ref.: AI1009/9*) submitted in support of this application.

Capping

5.3.3 The final waste surface will be engineered with 500mm thick capping system to achieve a maximum permeability of 1×10^{-8} m/s.

5.4 Water Management Plan

General Context

- 5.4.1 The impermeable nature of the diorite at the base of the quarry impedes the infiltration of waters into ground. Therefore, all surface waters and groundwater are managed by a series of sumps, and storage and settlement ponds pending reuse for site processes or discharge via a consented surface water discharge.

Surface Water & Groundwater Management

- 5.4.2 Water run-off from all areas of Croft Quarry will continue to be managed by the current surface water management system, although the system will be amended slightly as the restoration activities progress.
- 5.4.3 There are five quarry water management areas associated with current operations at Croft Quarry. The existing quarry water management strategy is based on the capture of all run-off from the quarry void and main ancillary production area that either flows by gravity or is pumped for subsequent use in on-site processes or immediate discharge via a consented discharge point (Consent Ref.: T/50/08259/T).
- 5.4.4 If the collected water is utilised for an on-site process (e.g. aggregate processing, or wheel washing) then the water is passed through a treatment lagoon system prior to discharge via a second consented discharge point (Consent Ref.: T/50/45029/T).
- 5.4.5 A schematic representation of the Croft Quarry Water Management Plan is presented in **Appendix SS3**.
- 5.4.6 As previously indicated, due to the positioning of the infill material entirely within the surrounding diorite intrusion, no active groundwater management is required during infilling operations. Any groundwater or surface water runoff managed within the void will be directed to a holding lagoon formed at a topographical low point maintained at the base of the quarry, and subsequently on the surface of the waste deposits as levels rise. Concept proposals for management of the waters within the quarry void are presented in **Drawing No. AI1009/14/03**.

Surface Water Monitoring

- 5.4.7 During the operational phase of the infilling activities, surface water monitoring will be undertaken on waters managed within the quarry void and discharged from Croft Quarry via the consented discharge points (Ref.: T/50/08259/T and Ref.: T/50/45029/T). This monitoring will entail monthly chemical analysis of selected parameters and visual inspections for hydrocarbon contamination.
- 5.4.8 The proposed surface water monitoring schedule for Croft Quarry and associated compliance limits are presented in the accompanying Hydrogeological Risk Assessment (*Doc Ref.: AI1009/08*).

5.5 Amenity Management and Monitoring

Operation and Maintenance Daily Checks

- 5.5.1 As part of ongoing environmental monitoring and amenity management, site inspections shall be undertaken daily by either the Site Manager, Technically Competent Manager (TCM) or nominated deputy. These inspections will

examine the permitted site for holder for defects in plant, equipment, or structure or in any working practice that may affect satisfactory compliance with the Environmental Permit. Daily site inspections will be recorded on an Operation and Maintenance Daily Check Sheet that will include the following aspects:

- Waste storage levels;
- Waste type storage area separation;
- Site Cleanliness (including litter, mud, and debris on internal access routes);
- Site Emissions (Including dust, noise, and odour);
- Leakages/Spillages;
- Monitoring data (where relevant);
- Plant Condition; and
- Integrity of site surfacing, drainage systems and security provisions.

5.5.2 Should a problem be identified, the Site Operations Manager will arrange immediate repair or other appropriate remedial action.

5.5.3 Records shall be kept of daily inspections and shall be made available for inspection as reasonably required by authorised officers of the EA. Any defects shall be rectified promptly.

5.5.4 In addition, an audit of working procedures will be conducted internally at pre-determined intervals. The audits will be used to identify non-compliance and monitor progress of corrective action. The Senior Management Team will review details of the audits. Copies of the audits will be kept in the site office.

Dust/Particulate Matter

5.5.5 Deposit of Waste for Recovery operations will be restricted to within the quarry void are currently approximately c. 230m below the surrounding ground levels. The final restoration profile will result in a ground level within the quarry void of 15mAOD, which is c. 55m lower than the surrounding topography. Additionally, operational areas of the quarry extend beyond the northern and western edges of the quarry footprint by between approximately 100 to 300m.

5.5.6 Artificial topographic features, created by previously extracted overburden material are also present along the quarry's eastern boundaries separating the quarry operations from the residential properties located to the northeast of Croft Quarry within close proximity. Treelines are also established along most boundaries of the quarry.

5.5.7 It is appreciated that due to the nature of the received waste, both the current physical treatment and proposed recovery activities have the potential to produce fugitive dust emissions. Therefore, to ensure that all relevant risks have been identified and addressed a Dust Emissions Management Plan (*Doc. Ref.: A11009/11*) has been prepared in support of this application.

Odour

5.5.8 Due to the non-biodegradable, non-hazardous properties of the waste accepted at Croft Quarry, the odour generation potential of the deposit of waste for recovery operations is negligible. Odour management will therefore be limited to the assurance that only specific waste is accepted and deposited at the facility, through visual inspection of waste as they are delivered to and discharged at the site.

Mud & Debris

- 5.5.9 The dispersal of dirt and mud originating at the site onto public roads and the surrounding land will be controlled.
- 5.5.10 The following operational procedures will be implemented to ensure that dirt and mud do not reach the public highways and surrounding land:
- All deliveries or dispatches of waste to be sheeted or enclosed;
 - All vehicles to be inspected prior to leaving the site. Wheel cleansing facilities to be provided / utilised as appropriate;
 - Internal roads will comprise hard surfacing to minimise tracking of mud and debris onto public roads. Where public roads will be monitored daily and more frequently during adverse weather conditions;
 - The site entrance will be inspected daily for evidence of mud and debris;
 - Site entrance to be mechanical swept to remove mud and debris deposited; and
- 5.5.11 Daily inspections will be carried out across the site. The Site Manager or nominated deputy will regularly inspect the entrance areas for evidence of mud and debris that has been trafficked.

Litter

- 5.5.12 The wastes to be deposited at the quarry will not contain any significant quantity of light fractions. All loads will be inspected upon delivery and/or discharge at the site to ensure contaminated wastes are not accepted.
- 5.5.13 The site will be inspected daily for evidence of litter, with litter picking undertaken as necessary.

Birds, Vermin & Insects

- 5.5.14 Due to the non-biodegradable, non-hazardous properties of the waste that will be accepted there is a low potential to attract birds, vermin, and insects. No specific measures are therefore required.
- 5.5.15 However, visual inspections of will be carried out by the weighbridge clerk at the point of acceptance with further assessment by site operatives when the waste is deposited.
- 5.5.16 Daily site inspections will also be undertaken to identify any potential issues that may arise.

Noise & Vibration

- 5.5.17 Site operational hours vary depending on the nature of activity. Current operational hours defined by the relevant planning consented held for Croft Quarry are outlined below.
- 4.5.18 The recycling of inert and non-hazardous waste materials shall only be undertaken in the following times:
- Monday – Saturday: 0700 – 1900hrs
 - Sunday & Bank Holidays: Closed

4.5.19 Operations involving or connected with the receipt and deposition of delivered materials/waste (other than by rail) shall be carried out in the following times:-

- Monday – Saturday 0600 – 2200hrs
- Sunday & Bank Holidays: Closed

5.5.18 The unloading, loading, movement and servicing of trains may be carried out at any time.

5.5.19 A Noise Impact Assessment (NIA) has been undertaken by Vibrock to assess the cumulative impact of noise generated from all mineral and waste activities carried out at Croft Quarry.

5.5.20 Due to the identification of potential negative noise emissions associated with waste activities, a Noise Management Plan (*Doc Ref.: AI1009/12*) has been prepared and accompanies this application. The Noise Management Plan contains further details on the noise control measures, monitoring schedules and complaints procedures. A copy of the aforementioned NIA is also appended to the Noise Management Plan.

5.6 Management Systems

Environment, Health, Safety and Quality Systems

5.6.1 Croft Quarry operates under the effective system of management procedures already developed on a national basis by the operator, AI. AI operates in accordance with the following externally accredited standards:-

- BS EN ISO14001 – Environmental Standard Certification
- ISO9001 – Quality Management System Certification

5.6.2 Copies of the above accreditations are presented in **Appendix SS4**.

5.6.3 Audits and inspections will be conducted to the suitably accredited standard to meet the requirements of the management system and performance will be reported annually to the EA as per the requirements of the Environmental Permit.

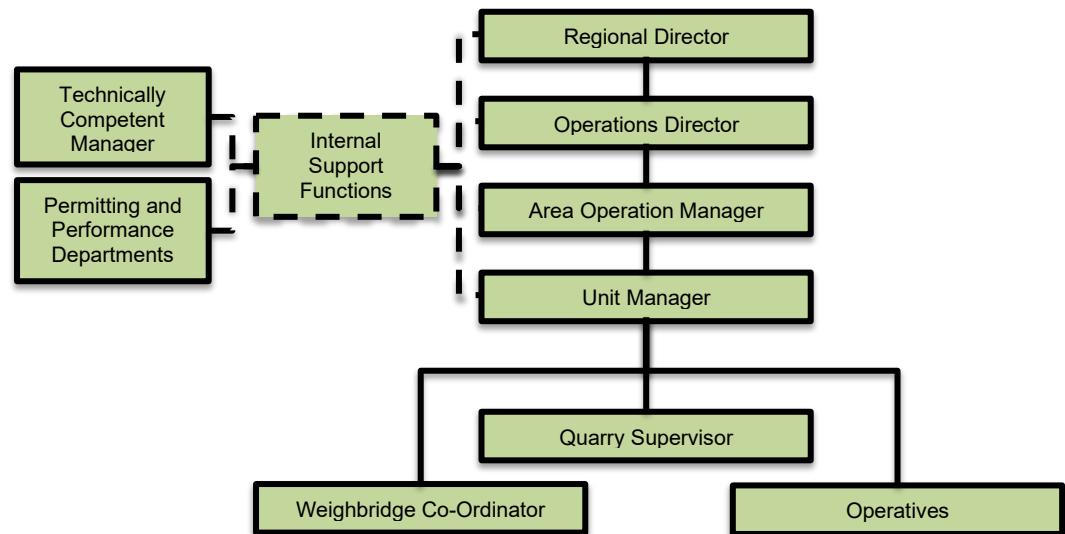
5.6.4 Environmental issues will be considered when purchasing items of plant and when design changes are being undertaken at the facility. These considerations will be documented.

5.6.5 Records will be kept of all items required by the Environmental Permit, other legislation, and operating procedures.

Management Structure

5.6.6 **Figure AAI** illustrates the typical management structure that is utilised in relation to the operations carried out at Croft Quarry.

Figure SS1: Deposit of Waste for Recovery Operation Management Structure



Environmental Permit and Management Plan

5.6.7 A copy of the Environmental Permit, Management Plan and supporting documents will be kept within the site office at Croft Quarry, and/or online in AI's intranet service.

Technical Competence

5.6.8 Technical competence for the deposit of waste for recovery operation at Croft will be provided via the WAMITAB scheme. Evidence of the Technically Competent Manager's (TCM) qualification is presented in **Appendix SS5**.

5.6.9 General Training and development for operational staff will be undertaken in accordance with Aggregate Industries' general policy on staff training and development and investment in people. Full time employees are selected based upon relevant experience within the minerals, waste management and recycling industry.

5.6.10 The EA will be informed within 24 hours of any proposed changes to the technical competence arrangements.

Staffing

5.6.11 The staffing arrangements are outlined in the relevant organogram as shown in **Figure SS1**.

Training

5.6.12 All new employees are given full induction training by the Site Manager or other appropriately qualified person(s) as appointed by the Site Manager.

5.6.13 The assessment of competences of staff will be made by the Site Manager or other appropriately qualified person(s) on an ongoing basis and will be recorded in the Site Diary. All staff will be trained to ensure that they are competent to undertake their respective duties. Particular attention will be given to familiarisation of staff with the Environmental Permit for the site, the potential emissions from the site and the prevention of accidental emissions. Training will be tailored to individual requirements.

- 5.6.14 An induction and personal training plan will be developed for each individual and will be regularly updated to reflect staff needs and skills.

Operating Procedures

- 5.6.15 A number of operating procedures have been developed and documented for onsite activities. Where procedures do not already exist, it is anticipated to create a full draft of working procedures for all activities within one year of receiving the Environmental Permit.

Maintenance Procedures

- 5.6.16 A documented maintenance schedule is already developed in accordance with manufacturer's recommendations. The maintenance plan will identify individual items of process equipment and specify maintenance requirements. An inspection regime will also be developed for each piece of plant in order to visually inspect condition and immediate repair requirements. Maintenance procedures will be included in the Site Management System.

- 5.6.17 A stock of spare parts will be maintained on site for vital equipment to reduce potential down time. Maintenance procedures will be developed in conjunction with the company Management System.

Records

- 5.6.18 A record of the types and quantities (in tonnes) of wastes received for recovery and non-compliant wastes removed from Croft Quarry will be maintained within the site office. A summary of the types and quantities of wastes placed at the site and removed from the site will be provided to the EA quarterly in an agreed format. All Duty of Care documentation in relation to waste movements will be kept for 2 years, prior to archiving until the Permit is surrendered.

- 5.6.19 The following significant events at the facility will be recorded, as detailed below:

- The start and finish of any construction/engineering works undertaken at the recovery site;
- Maintenance;
- Breakdowns;
- Emergencies;
- Problems with waste received and action taken;
- Recovery site inspections;
- Attendance of technically competent management at the recovery site;
- Despatch of records to the Agency;
- Severe weather conditions;
- Complaints received;
- Visitors to the facility;
- Pest or vermin incidents; and
- Rejected loads and the reason for rejecting the load.

- 5.6.20 The Site Manager or nominated person will maintain a record of all the above information in the site log or on inspection forms, as appropriate. Records relating to significant events will be kept for up to 6 years, or where involving off site environmental effects or pollution of land or groundwater until permit surrender.

- 5.6.21 All records and copies of inspection forms will be kept at the facility at all times and will be available for inspection at all reasonable times by any authorised officer of the EA.
- 5.6.22 The facility records may be kept either as:
- Hand generated log;
 - Computer generated hard copies; or
 - Computer permanent storage media.
- 5.6.23 To ensure the security of records they will be housed in either locked containers or kept in offices that shall be locked when not attended.
- 5.6.24 Records will be disposed of in accordance with company policy, which shall ensure an appropriately secure method e.g., shredding and recycling, where feasible.

Visitors

- 5.6.25 Persons visiting Croft Quarry will be required to report to the main site office. A record of the time and reason for their visit will be logged in the signing-in book. Visitors entering the working areas will be briefed and inducted with respect to facility safety and accompanied where necessary.
- 5.6.26 All visitors will be made aware of the requirement for Personal Protective Equipment (PPE). No person will be allowed entry to the operational site without the correct protective equipment. The facility employees are responsible for the Health and Safety of all visitors and will ensure that they are given sight of a copy of the Health and Safety Plan and are made aware of any potential threats to their safety or welfare.
- 5.6.27 There will be additional induction requirements for contractors visiting site that are providing a service or undertaking works such as maintenance. A permit to work system will be employed for more hazardous maintenance activities to ensure compliance with company health and safety requirements.

Site Inspections and Audit

- 5.6.28 Daily site inspections will be conducted of the deposit of waste for recovery operations and associated boundary. The facility shall be inspected daily by the Site Manager or other nominated representatives of the Environmental Permit holder for defects in plant, equipment, or structure or in any working practice that may affect satisfactory compliance with the Environmental Permit. Inspections shall be undertaken by staff suitably qualified and/or experienced in the day-to-day operation of the site. The main points of inspection shall include:
- Waste storage levels;
 - Waste type storage area separation;
 - Cleanliness;
 - Site emissions;
 - Leakages/Spillages;
 - Monitoring data (where relevant);
 - Plant condition; and
 - Integrity of wider associated buildings, site surfacing, drainage systems and security provisions, where applicable.
- 5.6.29 Should a problem be identified, the Site Manager will arrange immediate repair or other appropriate remedial action.

- 5.6.30 Records shall be kept of daily inspections and shall be made available for inspection as reasonably required by authorised officers of the EA. Any defects shall be rectified promptly.
- 5.6.31 In addition, an audit of working procedures will be conducted internally at pre-determined intervals. The audits will be used to identify non-compliance and monitor progress of corrective action. The Senior Management Team will review details of the audits. Copies of the audits will be kept in the site office.

Site Security

- 5.6.32 All reasonable precautions are taken to prevent unauthorised access to the site. The site has only one access point, from Coventry Road (via Marion's Way), with all other boundaries being secured with fencing. The main access gate is kept secure out of hours. During operational hours, the main access gate to the of the site is kept open for AI staff, customers, and visitors.
- 5.6.33 The integrity of the wider site boundary fence line, entrance gate and perimeter structures are inspected on a weekly basis. Any damage to the integrity of the fence, gates, or any other security structure, where practicable, will be repaired by the end of the working day. If it is not possible to make repairs within a working day, temporary repair measures will be implemented. Final repairs are carried out within 7 days of the damage being detected or any other such period as agreed in writing with the EA. All damage and repairs (temporary or permanent) are recorded in the Site Diary.
- 5.6.34 All static and mobile plant, offices and relevant infrastructure will be kept locked down and secure during out of hours periods.

Complaints

- 5.6.35 Complaints relating to the facility will be managed as follows:
- Details of the complaint and the complainant will be logged in the Site Diary;
 - The complaint will be investigated. Corrective actions and preventative actions will be undertaken where the source of the complaint can be identified and is attributable to activities undertaken at the facility;
 - The details of the action taken will be reported back to the complainant. This will include cases where the complaint is unsubstantiated, i.e. the complaint fails to be linked to any activity occurring at the facility. All investigative works and compliant outcomes will be recorded in the Site Diary.

Staff Welfare Facilities

- 5.6.36 The site office, staff rest and wash facilities will be situated along the southern boundary of the proposed site, to the east of the rail handling shed.

Non-Compliances

- 5.6.37 Any non-compliances identified onsite will be reported to the EA within 24 hours. Details of the non-compliance and corrective actions will be recorded on appropriate recording forms and held within the site office for a period no less than two years. Any records of non-compliances will be archived until Environmental Permit surrender.

Health and Safety

- 5.6.38 The company recognises the importance of Health and Safety for both its staff and visitors to its facility. The company will therefore continue to monitor Health and Safety in accordance with its ISO18001 procedures to ensure the well-being of all who visit the site. The procedures outline the Health and Safety policies and practices to be adopted on site at all times.

5.7 Accident Management

Emergency Planning

- 5.7.1 An Environmental Risk Assessment (*Doc. Ref. AI1009/10*) matrix has been prepared in accordance with EA guidance to support this application submission. The assessment matrix identifies potential hazards associated with waste operations, the likelihood and consequence of an accident or emergency relating to hazards, and the risk management measures that will be put in place to ensure that risks are acceptable.

Emergency Contact

- 5.7.2 In the event of any significant environmental emergency/incident, a representative of AI will notify the EA by telephone immediately, but first having due regard for the incident at hand and any remediation actions required to ensure the safety of site personnel and the immediate environment.
- 5.7.3 Details of any environmental incident will be confirmed to the EA in writing, on the next working day after identification of the incident. This confirmation will include: the time and duration of the incident, the receiving environmental medium or media where there has been any emission as a result of the incident, an initial estimate of the quantity and composition of any emission, the measures taken to prevent or minimise any further emission and a preliminary assessment of the cause of the incident.
- 5.7.4 Any incident notified to the EA will be investigated, and a report of the investigation sent to the EA. The report will detail, as a minimum, the circumstances of the incident, an assessment of any harm to the environment and the steps taken to bring the incident to an end. The report will also set out proposals for remediation and for preventing a repetition of the incident.

Control of Fires

- 5.7.5 As part of the ongoing operations, arrangements will be made, as necessary, with the local fire liaison officer to visit the site and discuss the relevant operations with the client. Any specific advice given by the fire liaison officer can then be incorporated into the site's management plan as appropriate.
- 5.7.6 Only non-combustible wastes will be handled at the site and no waste will be burned within the confines of the site boundary. Due to the nature of waste stored in other areas of the site, all fires within the facility will be treated as a potential emergency and dealt with accordingly. Fires may occur in relation to:
- Plant failure – fixed or mobile plant fires; and
 - Within non-conforming waste loads awaiting removal from the site.
- 5.7.7 In the event that a fire occurs at the facility, the following actions would be undertaken:

- Person(s) discovering a fire will raise the alarm;
- Report the incident to the Site Manager / nominated person;
- All site personnel and visitors will be accounted for and evacuated to a safe location;
- Contact the emergency services and state the nature of the incident;
- Follow all instructions given by the emergency services;
- If the fire can be controlled without endangering operatives, appropriate actions will be undertaken using available firefighting equipment. Fires will be tackled by a minimum of two site operatives;
- Ensure access is clear for the emergency services but prevent access to the facility from anyone else until the emergency is over; and
- The EA will be informed forthwith of any fires that occur at the facility.

5.7.8 Firefighting equipment will be available at the facility and will be clearly marked and tested, at appropriate intervals, to confirm their suitability and functionality. Site personnel will be made aware of the locations of all firefighting equipment and will be trained in their correct use.

5.7.9 A record of the occurrence of a fire will be maintained in the site log, along with any actions taken. An Incident and Accident Report will be completed by the Site Manager.

5.7.10 Following approval by the fire services and/or facility manager the residues from the fire will be disposed of accordingly at a suitable permitted waste management facility.

Explosions

5.7.11 Due to the nature of the wastes accepted at the facility, the likelihood of the materials containing explosive elements is highly unlikely. However, awareness and caution will be practised with all staff and to ensure no other waste is accepted that has explosive properties, the waste acceptance procedures will ensure that unauthorised waste types are prevented from entering the facility.

5.7.12 In the unlikely event that materials with explosive elements are discovered within a waste delivery that has already been accepted, the following action would be taken:

- Contact the Site Manager or in his absence the Site Supervisor;
- Check that all site personnel and visitors are accounted for and are moved to a safe location;
- Contact the emergency services and state the nature of the incident (including whether any fires have occurred);
- Follow all instructions given by the emergency services;
- If injuries have occurred medical assistance will be called;
- No further wastes will be accepted at the facility until the Site Manager has given authority; and
- The EA will be informed forthwith of any arisings of explosive materials or any explosions that occur.

5.7.13 Once the emergency is over and the emergency services have declared that the area is made safe, an incident/accident report shall be completed. A written account of the incident will also be forwarded to the EA no later than 14 days after the incident.

Flooding

5.7.14 Available datasets indicate that the Croft Quarry void is at risk from surface water flooding. This risk ranges from very low to high and is attributed to the accumulation of rainwater within the void. Additionally, the eastern boundary of the application site with entire site is within Flood Zone 2 and Flood Zone 3 of the Thurlaston Brook watercourse. Additionally, the southern boundary of the application site falls within Flood Zone 2 and Flood Zone 3 of the River Soar. Due to the lateral distance between these flood risk zones and the proposed void, alongside the absence of historical (including geological) indicators of flooding the quarry void has been deemed as not at risk of fluvial or coastal flooding.

Control of Leaks & Spillages

5.7.15 Daily visual inspections of the operational and processing surfaces will be conducted. In the event of a spillage, facility operatives will inform the Site Manager or Supervisor who is responsible for assessing the situation and deciding on the most appropriate actions to be undertaken.

5.7.16 All necessary measures will be taken to contain any spillage or discharge by means of suitable material and equipment. The actions undertaken will depend on the size of the spillage, the location of the spillage in relation to sensitive receptors and the nature of the spilled material.

5.7.17 Where spillages of dry wastes occur, these will be cleared by either manual or mechanical means, for example handpicking, sweeping, or shovelling, dependant on the size and location of the spillage.

5.7.18 Minor spillages of liquid will be contained using spillage kits or any suitable readily available absorbent material. This material will be disposed of in a manner appropriate to the type of material absorbed.

5.7.19 If a major spillage of liquid occurs, such as heavy plant oil/fuel, the following actions will be undertaken, where appropriate:

- Ensure no risk of off-site transfer;
- Report the occurrence to the Site Manager/Supervisor immediately;
- Trained facility operatives will take immediate action to try and contain the leak where it is safe to do so;
- If it is safe to do so, the cause of the spill or leak will be isolated and/or moved to a bunded area;
- If the liquid spillage is large, inert low permeability material such as clay will be used to make a temporary containment bund to prevent further transfer of the spillage. The Site Manager or designated person will contact the EA to discuss best practicable disposal options;
- Access to the immediate area should be restricted until a disposal/clean up solution is implemented;
- If the spillage cannot be contained using approved methods, senior management will be contacted immediately, and specialist advice and help will be sought; and
- If a vehicle or item of plant is identified as leaking, wherever practicable, it will be stored on an impermeable pavement (at the site offices/garages) / highly compacted made ground within a bunded area, where the spillage can be contained until such time as a repair is affected.

- 5.7.20 The Environment Agency will also be informed immediately of major spillages, having due regard to first take appropriate measures to deal with any emergency in hand.
- 5.7.21 Spillage kits and other emergency equipment will be located at strategic points around the site. These locations will be recorded on a site plan, clearly marked with appropriate signage and site staff will be made aware of their positions.

Investigation of Accidents & Incidents

- 5.7.22 For any accident, incident or dangerous occurrence, an incident and Accident Report will be completed by the Site Manager. All relevant details of the accident, incident or dangerous occurrence will be recorded, together with any additional statement, photographs, logs, or records that may assist in the full investigation of the accident, incident, or dangerous occurrence.
- 5.7.23 After an Environmental Incident and Emergency has been made safe, an investigation will be conducted, if necessary, by the Site Manager and other Company Personnel as appropriate.

5.8 Aftercare

Introduction

- 5.8.1 Upon achieving final restoration levels within the quarry a period of aftercare monitoring will be carried out in order to surrender the Environmental Permit. Aftercare monitoring will be used to demonstrate that the waste is physically, biologically and chemically stable. The proposed monitoring strategy has been developed in lieu of EA guidance, taking into potential site-specific constraints. Details for the proposed aftercare monitoring strategy are presented below.

Restoration Landform Stability

- 5.8.2 Once final levels have been achieved, topographical surveys of the final waste surface will be carried out annually for a period of two years to determine if the waste is undergoing any significant level of settlement.

Gas Management & Monitoring

- 5.8.3 Given that the site will only be permitted to accept non-degradable wastes gas management and collection will not be required.
- 5.8.4 Due to the presence of wetland habitats across a large proportion of the final restored surface of the quarry it will not be possible to install in-waste monitoring wells across the entire infilled area. In areas where wetland habitats will not be present monitoring wells will be retro-drilled within waste fill materials at an approximate spacing of 1 well per hectare in areas where thicknesses exceed 4m. The wells will be used to monitor the infill material for the purposes of demonstrating that the materials are not producing any significant quantity of hazardous gas (i.e. methane, carbon dioxide). Upon installation, monitoring for any relevant hazardous gases will be undertaken in accordance with the schedule presented in **Table SS1**.

Table SS1: Aftercare Phase Ground Gas Monitoring Schedule

Monitoring Point	Parameter	Units	Frequency
All in-waste monitoring wells	Methane Concentration	%v/v	Monthly
	Carbon Dioxide Concentration	%v/v	

Monitoring Point	Parameter	Units	Frequency
	Oxygen Concentration	%v/v	
	Atmospheric Pressure	mbar	
	Differential Pressure	mbar	
	Gas flow	l/hr	
	Meteorological conditions		
	Cloud Cover	%	
	Wind Direction	Compass direction or degrees from North	
	Wind Speed	mph	
	Precipitation	General Description	
	Ground Conditions	General Description (waterlogged, frozen, snow covered)	
Temperature	°C		

5.8.5 Monitoring of ground gas around the perimeter of Croft Quarry will be undertaken throughout the duration of active restoration activities to provide a long-term record of any potential gas migration at the site, identify any changes to during infilling operations and act as a source of information to compare data collected during the aftercare phase against.

Groundwater Management & Monitoring

5.8.6 No groundwater management will be required during the aftercare phase.

5.8.7 Groundwater monitoring around the periphery of the site during the aftercare phase of the development will continue in accordance with the monitoring schedule and compliance limits presented in the accompanying HRA (*Doc Ref.: AI1009/08*) respectively.

5.8.8 Groundwater compliance levels will be continuously assessed through the completion of Hydrogeological Assessment Reviews and updated if required.

5.8.9 The monitoring results will be reported to the Environment Agency within 28 days of the end of each monitoring period.

5.8.10 The locations of the monitoring points are shown on **Drawing No. AI1009/14/05**.

Surface Water Management & Monitoring

5.8.11 The restoration proposals will also incorporate a wetland habitat that will also provide long-term flood attenuation for the surface water run-off from the surface of the restored quarry void, and the retained quarry sidewalls which is currently managed within the quarry void area. Consequently, these discharges will no longer be required from within the restored quarry footprint.

5.8.12 Monitoring of discharges into the River Soar; the identified hydrological receptor, will be undertaken throughout the duration of active restoration activities to provide a long-term record of discharge quality, identify any changes to during infilling operations and act as a source of information to compare data collected during the aftercare phase against. This operational period monitoring will be undertaken in accordance with the monitoring schedule and compliance limits presented in of the accompanying HRA (*Doc Ref.: AI1009/08*) respectively. This monitoring will continue until pumped discharges of waters from the restored surface ceases.

5.8.13 The monitoring results will be reported to the Environment Agency within 28 days of the end of each monitoring period.

5.8.14 The locations of the monitoring points are shown on **Drawing No. AI1009/14/05.**



APPENDIX SS1
Enhanced Pre-Application
Consultation Meeting Minutes

Croft Quarry Pre-App meeting (2), 24 May 2024

Meeting notes

Attendees

Dan Makeham (DM), Sarah Venning (SV), Rob Marshall (RM) – Environment Agency

Mark Griffiths (MG), Andy Kirk (AK), Dylan Thomas (DT) – Sirius Environmental

Other attendees from Aggregate Industries

Meeting notes / Actions (highlighted)

Opening discussion

DM opened the meeting, setting out the terms of the discussion; The request to now use QM materials does impact discussions about a deposit for recovery application.

If this is a recovery operation why aren't non-waste materials being proposed for any shortfall rather than QM Materials (Sirius Environmental sent a list of proposed waste codes to be used prior to the meeting).

MG replied that this is still a recovery operation, through a waste recovery plan. They felt that this was suitable waste to replace any non-waste.

DT further added that the waste proposed was non-biodegradable so that there would be no landfill gas issues and that it is stable and inert.

DM stressed that the use of QM materials rather than non-waste needs to be fully demonstrated in the application.

MG stated that QM materials have been used before at a DfR site.

Proposed Source Term / EWC Codes

MG stated that the list of proposed waste codes sent before the meeting are codes that have been used on previous DfR and QM sites before.

SV stated that the list does include EWC Codes that are used routinely at DfR sites but that some of the other codes (e.g. coal fly ash and other slags) will require a robust demonstration that they are of no risk via; rate of filling, WAC controls, source evaluation (including physical properties) and rogue load assessments.

MG asked SV to provide a list of the waste codes of concern (at a later date).

MG stated that we all need to agree to the use of QM materials being used in a DfR site before progressing the app. DM and MG will discuss how best to approach this at a later date.

Landfill Engineering details

SV stressed that the waste to be used for the attenuation layer needs to be truly inert so that there will be no impact on the surrounding geology and groundwater.

MG said that the materials will be cohesive and chemically suitable. He agreed that they will provide a list of the waste codes that will be used.

AK stated that WAC testing will be carried out prior to use in the attenuation layer and that the material will be screened to remove any large particles. The material would then be stockpiled separately for use in construction.

DT stated that a lot of this waste acceptance work would be done at the waste hub sites in London where they will be bulked before being transported to Coft Quarry.

SV asked that the waste acceptance procedures need to be detailed for both the London hub sites and at Croft Quarry separately.

RM stated that the constructability and stability of the attenuation layer need to be demonstrated by the detailed conceptual site model and associated risk assessments.

AK said that they will include case studies as part of the application as to how they have done this successfully at other site.

Control of groundwater

SV requires a phasing plan for the site through its lifetime to show how the groundwater is managed including the post closure phase.

AK and MG stated that they are not proposing a back drainage system, any groundwater encountered will be dealt with via a surface water drainage system as the waste progressively fills the site. Due to the depth of the placed waste at the site it will have a very low permeability and so will not be saturated with groundwater. There will therefore be no proposals for leachate monitoring at the site, only surface water testing before discharge.

AOB

MG asked that he and DM have discussions next week regarding the waste recovery plan.

SV to provide some links to useful documents to use for the application. Provided below:

[new deposit for recovery GOT enhanced pre-app notes V4 February 2024.docx](#)

Link to guidance on waste suitable for recovery:

[Waste recovery plans and deposit for recovery permits - GOV.UK \(www.gov.uk\)](https://www.gov.uk/guidance/waste-recovery-plans-and-deposit-for-recovery-permits)

Link to list of [waste types that they will normally accept in a typical deposit for recovery activity](#):

[Check if your waste is suitable for deposit for recovery - GOV.UK \(www.gov.uk\)](https://www.gov.uk/guidance/check-if-your-waste-is-suitable-for-deposit-for-recovery)



APPENDIX SS2
List of Additional Wastes –
Waste Treatment Activity

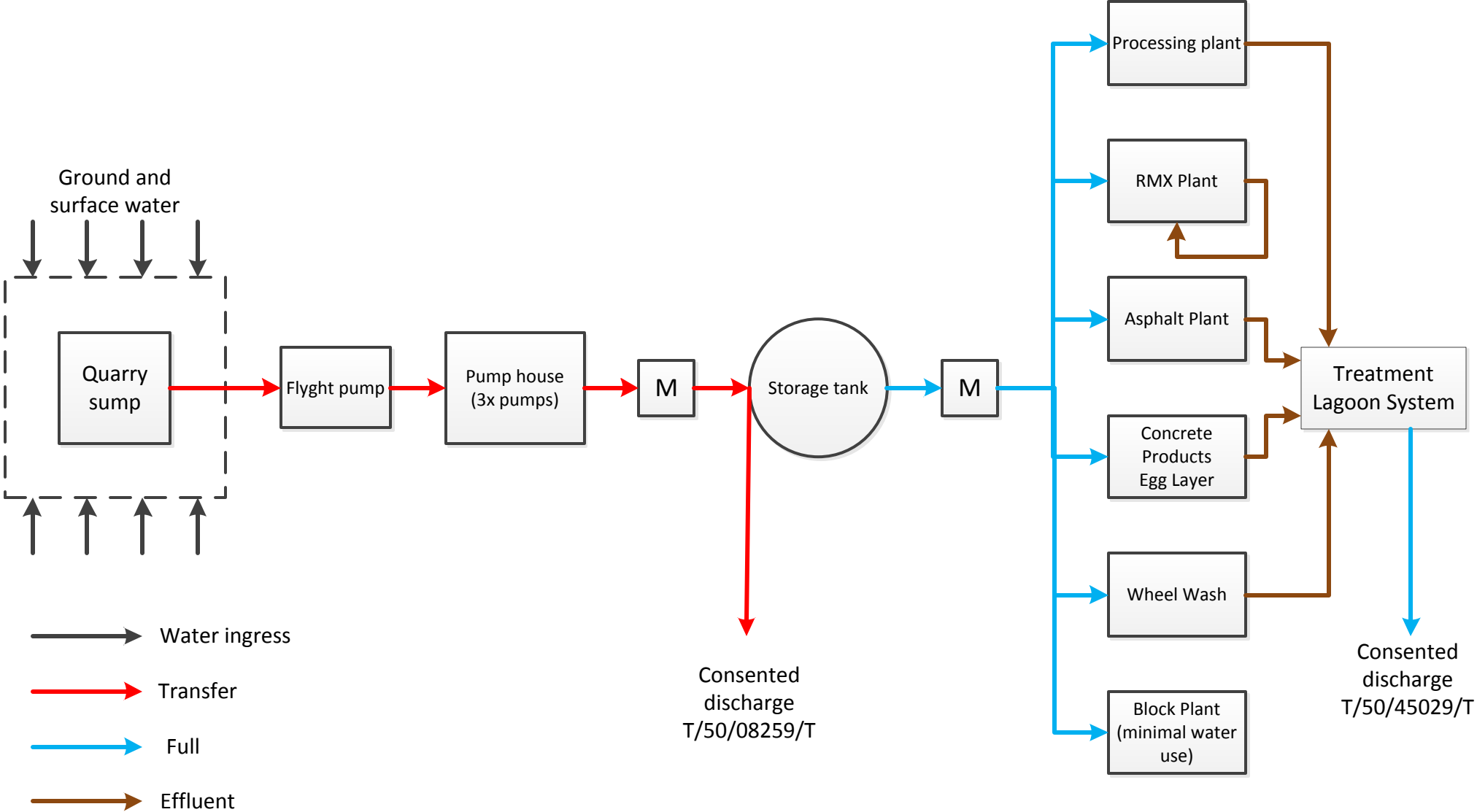
Table SSA2.1: Additional wastes codes for treatment

01	WASTES RESULTING FROM EXPLORATION, MINING, QUARRYING, AND PHYSICAL AND CHEMICAL TREATMENT OF MINERALS
01 04	wastes from physical and chemical processing of non-metalliferous minerals
01 04 08	waste gravel and crushed rocks other than those mentioned in 01 04 07
01 04 09	Waste clays
17	CONSTRUCTION AND DEMOLITION WASTES (INCLUDING EXCAVATED SOIL FROM CONTAMINATED SITES)
17 05	soil (including excavated soil from contaminated sites), stones and dredging spoil
17 05 04	soil and stones other than those mentioned in 17 05 03
17 05 06	dredging spoil other than those mentioned in 17 05 05
19	WASTES FROM WASTE MANAGEMENT FACILITIES, OFF SITE WASTE WATER TREATMENT PLANTS AND PREPARATION OF WATER INTENDED FOR HUMAN CONSUMPTION / INDUSTRIAL WASTE
19 08	wastes from waste water treatment plants not otherwise specified
19 08 02	washed sewage grit (waste from desanding) free from sewage contamination only
19 12	wastes from waste water treatment plants not otherwise specified
19 12 09	Minerals (for example sand, stones)
20	MUNICIPAL WASTES (HOUSEHOLD WASTE AND SIMILAR COMMERCIAL, INDUSTRIAL AND INSTITUTIONAL WASTES) INCLUDING SEPARATELY COLLECTED FRACTIONS
20 02	garden and park wastes
20 02 02	Soils and stone



APPENDIX SS3
Croft Quarry Water
Management Plan

Croft Quarry Water Management





APPENDIX SS4
Aggregate Industries UK
Limited's ISO Accreditation

Certificate of Registration

QUALITY MANAGEMENT SYSTEM - ISO 9001:2015

This is to certify that:

Aggregates Industries UK Ltd
Bardon Hill
Bardon Road
Coalville
LE67 1TL
United Kingdom

Holds Certificate Number:

FM 96927

and operates a Quality Management System which complies with the requirements of ISO 9001:2015 for the following scope:

Please see scope page.

For and on behalf of BSI:

Matt Page, Managing Director Assurance - UK & Ireland

Original Registration Date: 2006-01-19

Latest Revision Date: 2024-04-09

Effective Date: 2024-02-10

Expiry Date: 2027-02-09

Page: 1 of 29



...making excellence a habit.™

Certificate No: FM 96927

Registered Scope:

The extraction, processing and supply of the following products:-

- Coarse and fine aggregates
- Blended aggregates
- Fills and sub-bases
- Rock armour stone
- Dimensional stone
- Rail ballast
- Agriculture lime
- The production of bitumous mixtures for roads, airfields and other paved areas.
- The recycling of bitumen bound aggregates into asphalt mixes. ·The recycling and processing of secondary aggregates.
- The production of pre-cast concrete building products for structural, civil engineering and domestic applications. ·Production and supply of wooden moulds and polyurethane inserts for internal use and Bradstone Licenses.
- Supply of bagged specialist, decorative, water filtration aggregates and Highway instatement products.
- The import, storage and dispatch of cementitious materials. ·The sourcing and supply of Power Station Fly Ash materials into the Ready-Mixed Concrete market, Concrete Products markets and other related applications ·The collection, recycling and disposal of construction and demolition waste including the production and supply of sub base and general fill materials. ·The management of stock piles.
- The unloading of Aggregate trains.
- The supply and lay of asphalt and dry stone materials to airfields, roads and other paved construction.
- The selection and management of subcontractors and suppliers (supply chain members).
- The management, construction and design of civil engineering projects, structures and associated works.
- Highway surfacing, reinstatement and associated minor civil engineering works.
- The laying of bituminous mixes.
- The planning, sawing, miling, crack and seating of pavement surfaces, including the provision of specialist services, for the technical enhancement of roads and airfield surfaces.
- Mix design of cement and other hydraulically bound materials.
- The mixing of bulk powders, granular materials, liquids and additives by continuous process of civil engineering and environmental purposes and for use as encapsulating material for landfill containment and site remediation.
- The supply and laying of cement bound materials to airfields, roads, ports and other paved constructions.
- Maintenance of plant and equipment.
- The development, testing, manufacture and storage of cement and cementitious products including quarrying, blending and road loading operations.
- The development and manufacture of cements and blended cements.
- The sourcing of pulverized fuel ash to European Standards and blending with cementitious products to customer agreed specifications.

Original Registration Date: 2006-01-19

Latest Revision Date: 2024-04-09

Effective Date: 2024-02-10

Expiry Date: 2027-02-09

Page: 2 of 29

This certificate was issued electronically and remains the property of BSI and is bound by the conditions of contract.

An electronic certificate can be authenticated [online](#).

Printed copies can be validated at www.bsigroup.com/ClientDirectory

Certificate No: FM 96927

Registered Scope:

- The production and supply of pre-cast concrete building products for structural, civil engineering and domestic operations.
- The laying of asphalt mixes- machine laying and hand laying- in accordance with National Highway Sector Scheme 16.



Original Registration Date: 2006-01-19

Latest Revision Date: 2024-04-09

Effective Date: 2024-02-10

Expiry Date: 2027-02-09

Page: 3 of 29

This certificate was issued electronically and remains the property of BSI and is bound by the conditions of contract.
An electronic certificate can be authenticated [online](#).
Printed copies can be validated at www.bsigroup.com/ClientDirectory

Information and Contact: BSI, Kitemark Court, Davy Avenue, Knowlhill, Milton Keynes MK5 8PP. Tel: + 44 345 080 9000
BSI Assurance UK Limited, registered in England under number 7805321 at 389 Chiswick High Road, London W4 4AL, UK.
A Member of the BSI Group of Companies.

Certificate No: FM 96927

Location	Registered Activities
Aggregate Industries UK Ltd Hulland Ward Moordale Laboratory Smith Hall Lane Hulland Ward Ashbourne Derbyshire DE6 3ET United Kingdom	The design and development of bituminous products and aggregates.
Aggregate Industries UK Ltd Hulland Ward Concrete Products Smith Hall Lane Hulland Ward Ashbourne Derbyshire DE6 3ET United Kingdom	The production, design and supply of pre-cast concrete building products for structural, civil engineering and domestic applications. The recycling and processing of secondary aggregates.
Aggregate Industries UK Ltd Hulands Asphalt Plant Bowes Barnard Castle County Durham DL12 9JW United Kingdom	The production and supply of bituminous mixes.
Aggregate Industries UK Ltd Grovebury Quarry Grovebury Road Leighton Buzzard Bedfordshire LU7 4TB United Kingdom	The extraction, processing and supply of silica sand. Production and supply of sand.
Aggregate Industries UK Ltd Ashington Concrete Products Brock Lane West Sleekburn Bedlington Northumberland NE22 7BY United Kingdom	The production and supply of pre-cast concrete building products for structural, civil engineering and domestic operations.

Original Registration Date: 2006-01-19

Latest Revision Date: 2024-04-09

Effective Date: 2024-02-10

Expiry Date: 2027-02-09

Page: 4 of 29

This certificate was issued electronically and remains the property of BSI and is bound by the conditions of contract.

An electronic certificate can be authenticated [online](#).

Printed copies can be validated at www.bsigroup.com/ClientDirectory

Information and Contact: BSI, Kitemark Court, Davy Avenue, Knowlhill, Milton Keynes MK5 8PP. Tel: + 44 345 080 9000
BSI Assurance UK Limited, registered in England under number 7805321 at 389 Chiswick High Road, London W4 4AL, UK.
A Member of the BSI Group of Companies.

Certificate No: FM 96927

Location	Registered Activities
Aggregate Industries UK Ltd Heights Asphalt Plant Westgate in Weardale Bishop Auckland County Durham DL13 1PF United Kingdom	The production and supply of bituminous mixes.
Aggregate Industries UK Ltd Newbold Quarry Lichfield Road Barton under Needwood Burton-on-Trent Staffordshire DE13 8EG United Kingdom	The extraction processing, and supply of coarse and fine aggregates, blended aggregates, fills, sub-bases.
Aggregate Industries UK Ltd Burton Concrete Products Lichfield Road Barton under Needwood Burton-on-Trent Staffordshire DE13 8EG United Kingdom	The production and supply of pre-cast concrete building products for structural, civil engineering and domestic operations.
Aggregate Industries UK Ltd Little Paxton Quarry Saint Neots Huntingdon Cambridgeshire PE19 6ET United Kingdom	The extraction, processing and supply of coarse, fine aggregates and blended aggregates
Aggregate Industries UK Ltd Back Lane Asphalt Plant Back Lane Carnforth Lancashire LA6 1EA United Kingdom	The production and supply of bituminous mixes. The production and supply of filler

Original Registration Date: 2006-01-19

Latest Revision Date: 2024-04-09

Effective Date: 2024-02-10

Expiry Date: 2027-02-09

Page: 5 of 29

This certificate was issued electronically and remains the property of BSI and is bound by the conditions of contract.

An electronic certificate can be authenticated [online](#).

Printed copies can be validated at www.bsigroup.com/ClientDirectory

Information and Contact: BSI, Kitemark Court, Davy Avenue, Knowlhill, Milton Keynes MK5 8PP. Tel: + 44 345 080 9000
BSI Assurance UK Limited, registered in England under number 7805321 at 389 Chiswick High Road, London W4 4AL, UK.
A Member of the BSI Group of Companies.

Certificate No: FM 96927

Location	Registered Activities
Aggregate Industries UK Ltd High Roads Regional Customer Centre High Road Nether Kellet Carnforth Lancashire LA6 1BP United Kingdom	Sales and Distribution functions associated with the production and supply of bituminous mixtures and aggregates.
Aggregate Industries UK Ltd High Roads Concrete Products High Road Nether Kellet Carnforth Lancashire LA6 1EA United Kingdom	The production and supply of pre-cast blocks.
Aggregate Industries UK Ltd Chatham Cementitious Maritime House Southside 3 Chatham Docks Estate Chatham Kent ME4 4SR United Kingdom	The import, storage and despatch of cementitious materials.
Aggregate Industries UK Ltd Callow Concrete Products Shipham Gorge Cheddar Somerset BS27 3DQ United Kingdom	The production and supply of pre-cast concrete building products for structural, civil engineering and domestic operations.
Aggregate Industries UK Ltd Mid Essex Asphalt Plant 9 Regiment Business Park Eagle Way Little Waltham Chelmsford Essex CM3 3PZ United Kingdom	The production and supply of bituminous mixes.

Original Registration Date: 2006-01-19

Latest Revision Date: 2024-04-09

Effective Date: 2024-02-10

Expiry Date: 2027-02-09

Page: 6 of 29

This certificate was issued electronically and remains the property of BSI and is bound by the conditions of contract.

An electronic certificate can be authenticated [online](#).

Printed copies can be validated at www.bsigroup.com/ClientDirectory

Information and Contact: BSI, Kitemark Court, Davy Avenue, Knowlhill, Milton Keynes MK5 8PP. Tel: + 44 345 080 9000
BSI Assurance UK Limited, registered in England under number 7805321 at 389 Chiswick High Road, London W4 4AL, UK.
A Member of the BSI Group of Companies.

Certificate No: FM 96927

Location	Registered Activities
Aggregate Industries UK Ltd Bardon Hill Standard Haven Asphalt Plant Bardon Hill Coalville Leicestershire LE67 1TL United Kingdom	The production and supply of bituminous mixes. The recycling of bitumen bound aggregates for use in bituminous mixes.
Aggregate Industries UK Ltd Bardon Hill Regional Customer Centre Bardon Hill Coalville Leicestershire LE67 1TL United Kingdom	The sale of high "polished stone value" (PSV) aggregates. The sale of coarse and fine aggregates, blended aggregates, fills and sub-bases. The sale of agriculture lime. The sale of filler. The sale of pre-coated chippings. The sale of rock armour stone. The production and supply of bituminous mixtures for roads, airfields and other paved areas.
Aggregate Industries UK Ltd Cementitious Materials Office Bardon Hill Bardon Road Coalville Leicestershire LE67 1TL United Kingdom	The Import and sale of cementitious materials.
Aggregate Industries UK Ltd Sitebatch Contracting Office Old Hall Farm Copt Oak Road Coalville Leicestershire LE67 9PJ United Kingdom	Production, Supply & lay of readymix surfacing solutions.
Aggregate Industries UK Ltd Bardon Hill Contracting Bardon Hill Coalville Leicestershire LE67 1TL United Kingdom	The laying of asphalt mixes - machine laying and hand laying - in accordance with National Highway Sector Scheme 16. The selection and management of subcontractors and suppliers (supply chain members). Highway surfacing, reinstatement and associated minor civil engineering works. Mix design of cement and other hydraulically bound materials. The mixing of bulk powders, granular materials, liquids and additives by continuous process for civil engineering and environmental purposes and for use as encapsulating material for landfill containment and site remediation.

Original Registration Date: 2006-01-19

Effective Date: 2024-02-10

Latest Revision Date: 2024-04-09

Expiry Date: 2027-02-09

Page: 7 of 29

This certificate was issued electronically and remains the property of BSI and is bound by the conditions of contract.

An electronic certificate can be authenticated [online](#).

Printed copies can be validated at www.bsigroup.com/ClientDirectory

Certificate No: FM 96927

Location	Registered Activities
Aggregate Industries UK Ltd Heights Quarry Westgate in Weardale Bishop Auckland County Durham DL13 1PF United Kingdom	The extraction, processing and supply of coarse and fine aggregates, blended aggregates, fills and sub-bases. The extraction, processing and supply of rock armour stone. The processing and supply of filler.
Aggregate Industries UK Ltd Hulands Quarry Bowes Barnard Castle County Durham DL12 9JW United Kingdom	The extraction, processing and supply of coarse and fine aggregates, blended aggregates, fills and sub-bases. The extraction, processing and supply of rock armour stone. The processing and supply of filler.
Aggregate Industries UK Ltd Crawley Asphalt Plant Crawley New Yard Gatwick Road Crawley West Sussex RH10 9RE United Kingdom	The production of bituminous mixes and the unloading of Aggregate trains.
Aggregate Industries UK Ltd Croft Quarry Marions Way Coventry Road Croft Leicestershire LE9 3GP United Kingdom	The extraction, processing and supply of coarse and fine aggregates, blended aggregates, fills and sub-bases. The stocking and distribution of coarse and fine aggregates.
Aggregate Industries UK Ltd Croft Asphalt Plant Marion's Way Coventry Road Croft Leicestershire LE9 3GP United Kingdom	The production and supply of bituminous mixes.

Original Registration Date: 2006-01-19

Latest Revision Date: 2024-04-09

Effective Date: 2024-02-10

Expiry Date: 2027-02-09

Page: 8 of 29

This certificate was issued electronically and remains the property of BSI and is bound by the conditions of contract.

An electronic certificate can be authenticated [online](#).

Printed copies can be validated at www.bsigroup.com/ClientDirectory

Certificate No: FM 96927

Location	Registered Activities
Aggregate Industries UK Ltd Hillhead Quarry Clay Lane Uffculme Cullompton Devon EX15 3EP United Kingdom	The extraction, processing and supply of sand and gravel products.
Aggregate Industries UK Ltd Holme Park Quarry Burton Carnforth Cumbria LA6 1NZ United Kingdom	The extraction processing and supply of coarse and fine aggregates, blended aggregates, fills and sub-bases.
Aggregate Industries UK Ltd Ghyll Scaur Quarry The Hill Millom Cumbria LA18 5HB United Kingdom	The extraction, processing and supply of coarse and fine aggregates, blended aggregates, fills and sub-bases. The stocking and distribution of coarse and fine aggregates. The extraction, processing and supply of rock armour stone. The extraction, processing and the supply of high "Polished Stone Value" (PSV) aggregates
Aggregate Industries UK Ltd Darwen Express Asphalt Plant Goose House Lane Darwen Lancashire BB3 0EH United Kingdom	The production and supply of bituminous mixes.
Aggregate Industries UK Ltd Topley Pike Quarry Bakewell Road Buxton Derbyshire SK17 9TE United Kingdom	The extraction, processing and supply of coarse and fine aggregates, blended aggregates, fills and sub-bases. The processing and supply of agriculture lime.

Original Registration Date: 2006-01-19

Latest Revision Date: 2024-04-09

Effective Date: 2024-02-10

Expiry Date: 2027-02-09

Page: 9 of 29

This certificate was issued electronically and remains the property of BSI and is bound by the conditions of contract.

An electronic certificate can be authenticated [online](#).

Printed copies can be validated at www.bsigroup.com/ClientDirectory

Certificate No: FM 96927

Location	Registered Activities
Aggregate Industries UK Ltd Lee Moor Quarry Plymouth Devon PL7 5JP United Kingdom	The processing and supply of secondary aggregates.
Aggregate Industries UK Ltd Moorcroft Quarry Billacombe Plymouth Devon PL9 8AJ United Kingdom	The extraction, processing and supply of coarse and fine aggregates, blended aggregates, fills and sub-bases. The processing and supply of rock armour stone. The processing and supply of limestone filler. The importation and processing of materials for the production of recycled aggregates. The processing and supply of agriculture lime. Receipt, storage and the shipping of coarse and fine aggregates, blends, sub-bases and secondary aggregates.
Aggregate Industries UK Ltd Stoneycombe Quarry Kingskerswell Newton Abbot Devon TQ12 5LL United Kingdom	The extraction processing, and supply of coarse and fine aggregates, blended aggregates, fills, sub-bases.
Aggregate Industries UK Ltd Westleigh Quarry Burllescombe Tiverton Devon EX16 7JB United Kingdom	The extraction, processing and supply of coarse and fine aggregates, blended aggregates, fills and sub-bases. The processing and supply of rock armour stone. The processing and supply of limestone filler.
Aggregate Industries UK Ltd Doncaster Asphalt Plant Grove Road Kirk Sandall Industrial Estate Doncaster South Yorkshire DN3 1RY United Kingdom	The production and supply of bituminous mixes.

Original Registration Date: 2006-01-19

Latest Revision Date: 2024-04-09

Effective Date: 2024-02-10

Expiry Date: 2027-02-09

Page: 10 of 29

This certificate was issued electronically and remains the property of BSI and is bound by the conditions of contract.

An electronic certificate can be authenticated [online](#).

Printed copies can be validated at www.bsigroup.com/ClientDirectory

Certificate No: FM 96927

Location	Registered Activities
Aggregate Industries UK Ltd Darlaston Express Asphalt Plant Units 6 & 7 Owen Road Trading Est. Downs Road West Midlands WV13 2PF United Kingdom	The production and supply of bituminous mixes.
Aggregate Industries UK Ltd Kendall Bros Portsmouth Eastleigh Railhead Tower Industrial Estate Tower Lane Eastleigh Hampshire SO50 6NZ United Kingdom	The storage and distribution of dry stone products.
Aggregate Industries UK Ltd Harlow Depot Station Approach Harlow Mill Harlow Essex CM20 2EL United Kingdom	The storage processing and distribution of dry stone products.
RFS Works Limited Station Approach Harlow Mill Harlow Essex Essex CM20 2EL United Kingdom	The loading and unloading of trains and provision of mobile equipment service.
Aggregate Industries UK Ltd Exeter Express Asphalt Plant Rockbeare Exeter Devon EX5 2HB United Kingdom	The production and supply of bituminous mixes.

Original Registration Date: 2006-01-19

Latest Revision Date: 2024-04-09

Effective Date: 2024-02-10

Expiry Date: 2027-02-09

Page: 11 of 29

This certificate was issued electronically and remains the property of BSI and is bound by the conditions of contract.

An electronic certificate can be authenticated [online](#).

Printed copies can be validated at www.bsigroup.com/ClientDirectory

Certificate No: FM 96927

Location	Registered Activities
Aggregate Industries UK Ltd Colemans Asphalt Plant Holwell Nunney Frome Somerset BA11 4PX United Kingdom	The production and supply of bituminous mixes.
Aggregate Industries UK Ltd Colemans Quarry Holwell Nunney Frome BA11 4PX United Kingdom	The extraction processing, supply of coarse and fine aggregate, blended aggregate, fills, sub-bases.
Aggregate Industries UK Ltd Glasgow Cementitious King George V Dock Shed 4 Renfrew Road Glasgow G51 4SD United Kingdom	The import, storage and despatch of cementitious materials.
Aggregate Industries UK Ltd Chryston Asphalt Plant Auchengeich Road Chryston Glasgow Strathclyde G69 0JL United Kingdom	The production and supply of bituminous mixes.
Aggregate Industries UK Ltd Chryston Concrete Products Auchengeich Road Chryston Glasgow Strathclyde G69 0JL United Kingdom	The production and supply of pre-cast concrete building products for structural, civil engineering and domestic operations.

Original Registration Date: 2006-01-19

Latest Revision Date: 2024-04-09

Effective Date: 2024-02-10

Expiry Date: 2027-02-09

Page: 12 of 29

This certificate was issued electronically and remains the property of BSI and is bound by the conditions of contract.

An electronic certificate can be authenticated [online](#).

Printed copies can be validated at www.bsigroup.com/ClientDirectory

Certificate No: FM 96927

Location	Registered Activities
Aggregate Industries UK Ltd Kempsford Quarry Manor Farm Kempsford Gloucestershire GL7 4NJ United Kingdom	The extraction, processing and supply of sand and gravel products.
Aggregate Industries UK Ltd Grangemouth Asphalt Plant Falkirk Road Earlsgate Grangemouth FK3 8XF United Kingdom	The production and supply of bituminous mixes.
Aggregate Industries UK Ltd Northfleet Asphalt Plant Robins Wharf Grove Road Northfleet Gravesend Kent DA11 9AX United Kingdom	The production and supply of bituminous mixes.
Aggregate Industries UK Ltd Botley Asphalt Plant Station Hill Curdridge Botley Hampshire SO30 2DN United Kingdom	The production and supply of bituminous mixes.
Aggregate Industries UK Ltd Hertford Express Asphalt Plant Water Hole Quarry Lower Hatfield Road Hertford Hertfordshire SG13 8LE United Kingdom	The production and supply of bituminous mixes.

Original Registration Date: 2006-01-19

Latest Revision Date: 2024-04-09

Effective Date: 2024-02-10

Expiry Date: 2027-02-09

Page: 13 of 29

This certificate was issued electronically and remains the property of BSI and is bound by the conditions of contract.

An electronic certificate can be authenticated [online](#).

Printed copies can be validated at www.bsigroup.com/ClientDirectory

Information and Contact: BSI, Kitemark Court, Davy Avenue, Knowlhill, Milton Keynes MK5 8PP. Tel: + 44 345 080 9000
BSI Assurance UK Limited, registered in England under number 7805321 at 389 Chiswick High Road, London W4 4AL, UK.
A Member of the BSI Group of Companies.

Certificate No: FM 96927

Location	Registered Activities
Aggregate Industries UK Ltd Spadeoak Construction Town Lane Wooburn Green High Wycombe Buckinghamshire HP10 0PD United Kingdom	The supply and lay of asphalt and bitumen surfacing, sports surfacing and associated minor civil engineering works.
Aggregate Industries UK Ltd Huddersfield Express Asphalt Plant Red Doles Lane Huddersfield West Yorkshire HD2 1YF United Kingdom	The production and supply of bituminous mixes.
Aggregate Industries UK Ltd Inverness Asphalt Plant 24A Longman Drive Industrial Estate Inverness Highland IV1 1SU United Kingdom	The production and supply of bituminous mixes
Aggregate Industries UK Ltd T/A Wight Building Materials Concrete Products - St Georges Down St Georges Down Blackwater Newport Isle of Wight PO30 3BX United Kingdom	The production of concrete blocks
Aggregate Industries UK Ltd T/A Wight Building Materials St Georges Down Asphalt Plant St Georges Down Blackwater Newport Isle of Wight PO30 3BX United Kingdom	The production and supply of bituminous mixes.

Original Registration Date: 2006-01-19

Latest Revision Date: 2024-04-09

Effective Date: 2024-02-10

Expiry Date: 2027-02-09

Page: 14 of 29

This certificate was issued electronically and remains the property of BSI and is bound by the conditions of contract.

An electronic certificate can be authenticated [online](#).

Printed copies can be validated at www.bsigroup.com/ClientDirectory

Information and Contact: BSI, Kitemark Court, Davy Avenue, Knowlhill, Milton Keynes MK5 8PP. Tel: + 44 345 080 9000
BSI Assurance UK Limited, registered in England under number 7805321 at 389 Chiswick High Road, London W4 4AL, UK.
A Member of the BSI Group of Companies.

Certificate No: FM 96927

Location	Registered Activities
Aggregate Industries UK Ltd T/A Wight Building Materials St Georges Down Quarry St Georges Down Blackwater Newport Isle of Wight PO30 3BX United Kingdom	The extraction, processing and supply of sand and gravel products.
Aggregate Industries UK Ltd Isle of Grain Depot Rochester Kent ME3 0AG United Kingdom	The storage, processing and distribution of aggregates and rail ballast.
Aggregate Industries UK Ltd T/A Witherley Services Kettering Witherley Office Witherley House, Henson Way Telford Way Industrial Estate Kettering Northamptonshire NN16 8PX United Kingdom	The merchating activity relating to the supply of construction materials, Supply of transport for construction activity.
Aggregate Industries UK Ltd Duntilland Quarry Salsburgh Shotts Lanarkshire ML7 4NZ United Kingdom	The extraction, processing and supply of coarse and fine aggregates, blended aggregates, fills and sub-bases. The stocking and distribution of coarse and fine aggregates. The extraction, processing and supply of rock armour stone. The extraction, processing and the supply of high "Polished Stone Value" (PSV) aggregates
Aggregate Industries UK Ltd Back Lane Quarry Back Lane Carnforth Lancashire LA6 1EA United Kingdom	The extraction, processing and supply of coarse and fine aggregates, blended aggregates, fills and sub-bases. The processing and supply of agriculture lime. The extraction, processing and supply of rock armour stone.

Original Registration Date: 2006-01-19

Latest Revision Date: 2024-04-09

Effective Date: 2024-02-10

Expiry Date: 2027-02-09

Page: 15 of 29

This certificate was issued electronically and remains the property of BSI and is bound by the conditions of contract.

An electronic certificate can be authenticated [online](#).

Printed copies can be validated at www.bsigroup.com/ClientDirectory

Certificate No: FM 96927

Location	Registered Activities
Aggregate Industries UK Ltd Croft Concrete Products Marrions Way Coventry Road Croft Leicester Leicestershire LE9 3GP United Kingdom	The production and supply of pre-cast concrete building products for structural, civil engineering and domestic operations.
Aggregate Industries UK Ltd Bardon Hill Benninghoven Asphalt Plant Coalville Leicester LE67 1TL United Kingdom	The production and supply of bituminous mixes. The recycling of bitumen bound aggregates for use in bituminous mixes.
Aggregate Industries UK Ltd Bardon Hill Head Office Bardon Hill Bardon Road Coalville Leicestershire Leicestershire LE67 1TL United Kingdom	The administration and management of the quality management system.
Aggregate Industries UK Ltd Sales Overseas - Aggregate Bardon Hill Coalville Leicestershire LE67 1TL United Kingdom	Sale of general fill material aggregates and armourstone.
Aggregate Industries UK Ltd Bardon Hill Quarry Bardon Hill Coalville Leicestershire LE67 1TL United Kingdom	The extraction, processing and supply of coarse and fine aggregates, blended aggregates, fills and sub-bases. The stocking and distribution of coarse and fine aggregates. The extraction, processing and supply of rock armour stone. The extraction, processing and the supply of high "Polished Stone Value" (PSV) aggregates

Original Registration Date: 2006-01-19

Latest Revision Date: 2024-04-09

Effective Date: 2024-02-10

Expiry Date: 2027-02-09

Page: 16 of 29

This certificate was issued electronically and remains the property of BSI and is bound by the conditions of contract.

An electronic certificate can be authenticated [online](#).

Printed copies can be validated at www.bsigroup.com/ClientDirectory

Certificate No: FM 96927

Location	Registered Activities
Aggregate Industries UK Ltd Eastern Way Quarry Eastern Way Heath and Reach Leighton Buzzard Bedfordshire LU7 9LF United Kingdom	The sale, production and supply of silica sand for industrial and recreational use. Production and supply of asphalt sands. The supply of filter gravels. Supply of specialist filter media.
Aggregate Industries UK Ltd Leighton Buzzard Concrete Products Grovebury Road Grovebury Industrial Estate Leighton Buzzard Bedfordshire LU7 4RU United Kingdom	The production and supply of pre-cast concrete building products for structural, civil engineering and domestic operations.
Aggregate Industries UK Ltd T/A Witherley Services Eastern Way Witherley Office Eastern Way Heath and Reach Leighton Buzzard Bedfordshire LU7 9LF United Kingdom	The merchandising activity relating to the supply of construction materials, Supply of transport for construction activity.
Aggregate Industries UK Ltd Liverpool Asphalt Plant 4-7 Leckwith Road Netherton Bootle Liverpool Merseyside L30 6UF United Kingdom	The production and supply of bituminous mixes.

Original Registration Date: 2006-01-19

Latest Revision Date: 2024-04-09

Effective Date: 2024-02-10

Expiry Date: 2027-02-09

Page: 17 of 29

This certificate was issued electronically and remains the property of BSI and is bound by the conditions of contract.

An electronic certificate can be authenticated [online](#).

Printed copies can be validated at www.bsigroup.com/ClientDirectory

Certificate No: FM 96927

Location	Registered Activities
Aggregate Industries UK Ltd Seaforth Docks Depot Yeoman Backhouse Seaforth Area B Seaforth Dock Liverpool Merseyside L21 1DJ United Kingdom	The mixing of aggregates and supply in bulk form.
Aggregate Industries UK Ltd Greenwich Asphalt Plant Angerstein Wharf Horn Link Way Greenwich London SE10 0RT United Kingdom	The production and supply of bituminous mixes.
Aggregate Industries UK Ltd Acton Depot Stone Terminal Horn Lane Acton London W3 9EH United Kingdom	The management of stock piles. The unloading of Aggregate trains.
Aggregate Industries UK Ltd Bow Depot Wick Lane Bow London E3 2TB United Kingdom	The import, storage and distribution of dry stone products.
Aggregate Industries UK Ltd Luton Express Asphalt Plant 30-31 Cosgrove Way Luton Bedfordshire LU1 1XL United Kingdom	The production and supply of bituminous mixes.

Original Registration Date: 2006-01-19

Latest Revision Date: 2024-04-09

Effective Date: 2024-02-10

Expiry Date: 2027-02-09

Page: 18 of 29

This certificate was issued electronically and remains the property of BSI and is bound by the conditions of contract.

An electronic certificate can be authenticated [online](#).

Printed copies can be validated at www.bsigroup.com/ClientDirectory

Certificate No: FM 96927

Location	Registered Activities
Aggregate Industries UK Ltd Salford Express Asphalt Plant Mode Wheel Road South Weaste Salford Manchester M50 1DG United Kingdom	The production and supply of bituminous mixes.
Aggregate Industries UK Ltd Stockport Express Asphalt Plant Cromwell Road Bredbury Stockport Manchester SK6 2RF United Kingdom	The production and supply of bituminous mixes.
Aggregate Industries UK Ltd Scotland Regional Customer Centre Trilogy 3 21 Woodhall Eurocentral Motherwell ML1 4YT United Kingdom	The sale of high "polished stone value" (PSV) aggregates. The sale of coarse and fine aggregates, blended aggregates, fills and sub-bases. The sale of agriculture lime. The sale of filler. The sale of pre-coated chippings. The sale of rock armour stone. The sale of asphalt mixes.
Aggregate Industries UK Ltd Scotland Contracting Trilogy 3 21 Woodhall Eurocentral Motherwell Lanarkshire ML1 4YT United Kingdom	The laying of asphalt mixes - machine laying and hand laying - in accordance with National Highway Sector Scheme 16. The selection and management of subcontractors and suppliers (supply chain members). Highway surfacing, reinstatement and associated minor civil engineering works. Mix design of cement and other hydraulically bound materials. The mixing of bulk powders, granular materials, liquids and additives by continuous process for civil engineering and environmental purposes and for use as encapsulating material for landfill containment and site remediation.

Original Registration Date: 2006-01-19

Latest Revision Date: 2024-04-09

Effective Date: 2024-02-10

Expiry Date: 2027-02-09

Page: 19 of 29

This certificate was issued electronically and remains the property of BSI and is bound by the conditions of contract.

An electronic certificate can be authenticated [online](#).

Printed copies can be validated at www.bsigroup.com/ClientDirectory

Certificate No: FM 96927

Location	Registered Activities
Aggregate Industries UK Ltd Neath Express Asphalt Plant Neath Abbey Wharf Jenkins Road Neath West Glamorgan SA10 6BL United Kingdom	The production and supply of bituminous mixes.
Aggregate Industries UK Ltd Newark Express Asphalt Plant Quarry Farm Bowbridge Lane Hawton Newark Nottinghamshire NG24 3BZ United Kingdom	The production and supply of bituminous mixes.
Aggregate Industries UK Ltd Melbur Asphalt Plant Melbur Block Works Summercourt Newquay Cornwall TR8 5UA United Kingdom	The production and supply of bituminous mixes.
Aggregate Industries UK Ltd Cheshire Asphalt Plant Wincham Avenue Wincham Northwich Cheshire CW9 6GB United Kingdom	The production and supply of bituminous mixes.

Original Registration Date: 2006-01-19

Latest Revision Date: 2024-04-09

Effective Date: 2024-02-10

Expiry Date: 2027-02-09

Page: 20 of 29

This certificate was issued electronically and remains the property of BSI and is bound by the conditions of contract.

An electronic certificate can be authenticated [online](#).

Printed copies can be validated at www.bsigroup.com/ClientDirectory

Information and Contact: BSI, Kitemark Court, Davy Avenue, Knowlhill, Milton Keynes MK5 8PP. Tel: + 44 345 080 9000
BSI Assurance UK Limited, registered in England under number 7805321 at 389 Chiswick High Road, London W4 4AL, UK.
A Member of the BSI Group of Companies.

Certificate No: FM 96927

Location	Registered Activities
Aggregate Industries UK Ltd T/A Witherley Services Nuneaton Witherley Office Witherley House Bermuda Road Nuneaton Warwickshire CV10 7QG United Kingdom	The merchandising activity relating to the supply of construction materials, Supply of transport for construction activity.
Aggregate Industries UK Ltd Glensanda Quarry Rhugh Garbh Depot Barcaldine Oban Argyll PA34 5BN United Kingdom	The extraction, processing and supply of coarse and fine aggregates, blended aggregates, fills and sub-bases. The stocking and distribution of coarse and fine aggregates. The extraction, processing and supply of rock armour stone. The extraction, processing and the supply of high "Polished Stone Value" (PSV) aggregates
Aggregate Industries UK Ltd Pode Hole Quarry The Causeway Thorney Peterborough Cambridgeshire PE6 0QH United Kingdom	The extraction, processing and supply of sand and gravel products.
Aggregate Industries UK Ltd Peterborough Asphalt Plant Oxney Road Industrial Estate Oxney Road Peterborough Cambridgeshire PE1 5YW United Kingdom	The production and supply of bituminous mixes.
Aggregate Industries UK Ltd Greystone Quarry Launceston Cornwall PL15 9PF PL15 9PF United Kingdom	The extraction, processing and supply of coarse and fine aggregates, blended aggregates, fills and sub-bases. The importation and processing of materials for the production of recycled aggregates.

Original Registration Date: 2006-01-19

Latest Revision Date: 2024-04-09

Effective Date: 2024-02-10

Expiry Date: 2027-02-09

Page: 21 of 29

This certificate was issued electronically and remains the property of BSI and is bound by the conditions of contract.

An electronic certificate can be authenticated [online](#).

Printed copies can be validated at www.bsigroup.com/ClientDirectory

Certificate No: FM 96927

Location	Registered Activities
Aggregate Industries UK Ltd Moorcroft Asphalt Plant Billacombe Plymouth Devon PL9 8AJ United Kingdom	The production and supply of bituminous mixes.
Aggregate Industries UK Ltd Moorcroft Building Products Masterblock Billacombe Plymouth Devon PL9 8AJ United Kingdom	The production and supply of pre-cast blocks.
Aggregate Industries UK Ltd Plymouth Regional Customer Centre Third Floor Poseidon House Cattledown Road Plymouth PL4 0SJ United Kingdom	The sales and distribution of aggregates and asphalt
Aggregate Industries UK Ltd Kendall Bros Portsmouth Portsmouth Aggregate Kendalls Wharf Eastern Road Portsmouth Hampshire PO3 5LY United Kingdom	The distribution of Aggregates.
Aggregate Industries UK Ltd Purfleet Asphalt Plant Jurgens Road Off London Road Purfleet Essex RM19 1UA United Kingdom	The production and supply of bituminous mixes. The recycling of bitumen bound aggregates for use in bituminous mixes.

Original Registration Date: 2006-01-19

Latest Revision Date: 2024-04-09

Effective Date: 2024-02-10

Expiry Date: 2027-02-09

Page: 22 of 29

This certificate was issued electronically and remains the property of BSI and is bound by the conditions of contract.

An electronic certificate can be authenticated [online](#).

Printed copies can be validated at www.bsigroup.com/ClientDirectory

Information and Contact: BSI, Kitemark Court, Davy Avenue, Knowlhill, Milton Keynes MK5 8PP. Tel: + 44 345 080 9000
BSI Assurance UK Limited, registered in England under number 7805321 at 389 Chiswick High Road, London W4 4AL, UK.
A Member of the BSI Group of Companies.

Certificate No: FM 96927

Location	Registered Activities
Aggregate Industries UK Ltd Redditch Express Asphalt Plant Unit 60 Lakeside Industrial Estate Arthur Street Redditch Worcestershire B98 8JY United Kingdom	The production and supply of bituminous mixes.
Aggregate Industries UK Ltd Merstham Contracting Nutfield Road Merstham Redhill Surrey RH1 3ES United Kingdom	The laying of asphalt mixes - machine laying and hand laying - in accordance with National Highway Sector Scheme 16. The selection and management of subcontractors and suppliers (supply chain members). Highway surfacing, reinstatement and associated minor civil engineering works. Mix design of cement and other hydraulically bound materials. The mixing of bulk powders, granular materials, liquids and additives by continuous process for civil engineering and environmental purposes and for use as encapsulating material for landfill containment and site remediation.
Aggregate Industries UK Ltd Sheffield Asphalt Plant Unit 3 SIRFT Europa Link Tinsley Sheffield South Yorkshire S9 1TQ United Kingdom	The production and supply of bituminous mixtures and coated chippings. The recycling of bitumen bound aggregates for use in bituminous mixes.
Aggregate Industries UK Ltd Torr Works Concrete Products East Cranmore Shepton Mallet Somerset BA4 4SQ United Kingdom	The production and supply of pre-cast blocks.

Original Registration Date: 2006-01-19

Latest Revision Date: 2024-04-09

Effective Date: 2024-02-10

Expiry Date: 2027-02-09

Page: 23 of 29

This certificate was issued electronically and remains the property of BSI and is bound by the conditions of contract.

An electronic certificate can be authenticated [online](#).

Printed copies can be validated at www.bsigroup.com/ClientDirectory

Certificate No: FM 96927

Location	Registered Activities
Aggregate Industries UK Ltd Kendall Bros Portsmouth Shoreham Wharf New Wharf Shoreham-By-Sea West Sussex BN43 6RE United Kingdom	The distribution of Aggregates.
Aggregate Industries UK Ltd Duntilland Asphalt Plant Salsburgh Shotts Lancashire ML7 4NZ United Kingdom	The production and supply of bituminous mixes.
RFS Works Limited Coton Hill Opposite Wood Street Shrewsbury SY1 2PR United Kingdom	The management of rail unloading operations.
Aggregate Industries UK Ltd Haughmond Hill Quarry Uffington Shrewsbury Shropshire SY4 4RP United Kingdom	The extraction, processing and supply of coarse and fine aggregates, blended aggregates, fills and sub-bases. The stocking and distribution of coarse and fine aggregates. The extraction, processing and supply of rock armour stone. The extraction, processing and the supply of high "Polished Stone Value" (PSV) aggregates
Aggregate Industries UK Ltd Halton East Asphalt Plant Harrogate Road Skipton North Yorkshire BD23 6AD United Kingdom	The production and supply of bituminous mixes.

Original Registration Date: 2006-01-19

Latest Revision Date: 2024-04-09

Effective Date: 2024-02-10

Expiry Date: 2027-02-09

Page: 24 of 29

This certificate was issued electronically and remains the property of BSI and is bound by the conditions of contract.

An electronic certificate can be authenticated [online](#).

Printed copies can be validated at www.bsigroup.com/ClientDirectory

Information and Contact: BSI, Kitemark Court, Davy Avenue, Knowlhill, Milton Keynes MK5 8PP. Tel: + 44 345 080 9000
BSI Assurance UK Limited, registered in England under number 7805321 at 389 Chiswick High Road, London W4 4AL, UK.
A Member of the BSI Group of Companies.

Certificate No: FM 96927

Location	Registered Activities
Aggregate Industries UK Ltd Heathrow Asphalt Plant Colnbrook Depot Colnbrook By-pass Colnbrook Slough Berkshire SL3 0EB United Kingdom	The production and supply of bituminous mixtures and coated chippings. The recycling of bitumen bound aggregates into asphalt mixes. The import, storage and distribution of dry stone products.
Aggregate Industries UK Ltd Callow Rock Quarry Shipham Gorge Cheddar Somerset BS27 3DQ United Kingdom	The extraction, processing and supply of coarse and fine aggregates, blended aggregates, fills and sub-bases. The stocking and distribution of coarse and fine aggregates. The extraction, processing and supply of rock armour stone.
Aggregate Industries UK Ltd Vallis Road Regional Customer Centre Edwin Sims House Vallis Road Frome Somerset BA11 3EG United Kingdom	Sales and Distribution functions associated with the production and supply of bituminous mixtures and aggregates.
Aggregate Industries UK Ltd Torr Quarry East Cranmore Shepton Mallet Somerset BA4 4RA United Kingdom	The extraction, processing and supply of coarse and fine aggregates, blended aggregates, fills and sub-bases. The stocking and distribution of coarse and fine aggregates. The extraction, processing and supply of rock armour stone. Production and supply of rail ballast.
Aggregate Industries UK Ltd Derby Express Asphalt Plant Celanese Road Spondon Derbyshire DE21 7BN United Kingdom	The production and supply of bituminous mixes.

Original Registration Date: 2006-01-19

Latest Revision Date: 2024-04-09

Effective Date: 2024-02-10

Expiry Date: 2027-02-09

Page: 25 of 29

This certificate was issued electronically and remains the property of BSI and is bound by the conditions of contract.

An electronic certificate can be authenticated [online](#).

Printed copies can be validated at www.bsigroup.com/ClientDirectory

Certificate No: FM 96927

Location	Registered Activities
Aggregate Industries UK Ltd Bristol Express Asphalt Plant Avon Gate Albert Road St Phillips Bristol BS2 0XQ United Kingdom	The production and supply of bituminous mixes.
Aggregate Industries UK Ltd Uttoxeter Quarry A50 Bypass Uttoxeter Staffordshire ST14 5AP United Kingdom	The extraction processing, and supply of coarse and fine aggregates, blended aggregates, fills, sub-bases.
Aggregate Industries UK Ltd Caldon Low Quarry Yelsway Lane Waterhouses Staffordshire ST10 3EQ United Kingdom	The extraction, processing and supply of coarse and fine aggregates
Lafarge Caudon Ltd Caudon Cement Plant Caudon Works Yelsway Lane Waterhouses Stoke on Trent Staffordshire ST10 3EQ United Kingdom	The development, testing, manufacture and storage of cement and cementitious products including quarrying, blending and road loading operations. The sourcing, processing, analysis and provision of waste derived fuels and materials. The sourcing of pulverised fuel ash to European Standards and blending with cementitious products to customer agreed specifications.
Aggregate Industries UK Ltd Geocycle UK Earls Building Caudon Works Yelsway Lane Stoke On Trent Staffordshire ST10 3EQ United Kingdom	The sourcing, processing, analysis and provision of waste derived fuels and materials.

Original Registration Date: 2006-01-19

Latest Revision Date: 2024-04-09

Effective Date: 2024-02-10

Expiry Date: 2027-02-09

Page: 26 of 29

This certificate was issued electronically and remains the property of BSI and is bound by the conditions of contract.

An electronic certificate can be authenticated [online](#).

Printed copies can be validated at www.bsigroup.com/ClientDirectory

Certificate No: FM 96927

Location	Registered Activities
Aggregate Industries UK Ltd Stoke Express Asphalt Plant City Road Fenton Stoke-on-Trent Staffordshire ST4 1DT United Kingdom	The production and supply of bituminous mixes.
Aggregate Industries UK Ltd Cauldon Low Asphalt Plant Cauldon Low Quarry Cauldon Stoke-on-Trent ST10 3EW United Kingdom	The production of bituminous mixtures for roads, airfields and other paved areas
Aggregate Industries UK Ltd Blantyre Express Asphalt Whistleberry Industrial Estate Craighead Blantyre Strathclyde G72 0TH United Kingdom	The production and supply of bituminous mixes.
Aggregate Industries UK Ltd North End Farm Concrete Products Ashton Keynes Swindon Wiltshire SN6 6QX United Kingdom	The production and supply of pre-cast concrete building products for structural, civil engineering and domestic operations. The provision of a sales office activity.
Aggregate Industries UK Ltd London Gateway Depot Berth 7 DP World London Gateway Port Thurrock Essex SS17 9PA United Kingdom	The import, storage and distribution of dry stone products.

Original Registration Date: 2006-01-19

Latest Revision Date: 2024-04-09

Effective Date: 2024-02-10

Expiry Date: 2027-02-09

Page: 27 of 29

This certificate was issued electronically and remains the property of BSI and is bound by the conditions of contract.

An electronic certificate can be authenticated [online](#).

Printed copies can be validated at www.bsigroup.com/ClientDirectory

Certificate No: FM 96927

Location	Registered Activities
Aggregate Industries UK Ltd Westleigh Asphalt Plant Burlescombe Tiverton Devon EX16 7JB United Kingdom	The production and supply of bituminous mixes.
Aggregate Industries UK Ltd Tony Brown Diamond Flat Pennington Lane Lindal Ulverston LA12 0LA United Kingdom	The washing crushing & screening of high psv aggregates.
Aggregate Industries UK Ltd Coventry Express Asphalt Plant Doyle Drive Coventry Warwickshire CV6 6NW United Kingdom	The production and supply of bituminous mixes.
Aggregate Industries UK Ltd Levenseat Quarry Fauldhouse Bathgate West Lothain EH47 9AD United Kingdom	The extraction, processing and supply of coarse and fine aggregates, blended aggregates, fills, sub-bases.
Aggregate Industries UK Ltd Wigan Contracting Ground Floor Brunswick House Hindley Green Business Park Wigan WN2 4TN United Kingdom	The laying of asphalt mixes - machine laying and hand laying - in accordance with National Highway Sector Scheme 16. The selection and management of subcontractors and suppliers (supply chain members). Highway surfacing, reinstatement and associated minor civil engineering works. Mix design of cement and other hydraulically bound materials. The mixing of bulk powders, granular materials, liquids and additives by continuous process for civil engineering and environmental purposes and for use as encapsulating material for landfill containment and site remediation.

Original Registration Date: 2006-01-19

Latest Revision Date: 2024-04-09

Effective Date: 2024-02-10

Expiry Date: 2027-02-09

Page: 28 of 29

This certificate was issued electronically and remains the property of BSI and is bound by the conditions of contract.

An electronic certificate can be authenticated [online](#).

Printed copies can be validated at www.bsigroup.com/ClientDirectory

Certificate No: FM 96927

Location	Registered Activities
Aggregate Industries UK Ltd Astley Asphalt Plant Kennedy Road Astley Tyldesley Wigan, Manchester M29 7JS United Kingdom	The production and supply of bituminous mixes
Aggregate Industries UK Ltd Ellesmere Cementitious New Extension Quay North Wall Ellesmere Port Docks Wirral Cheshire CH65 2IF United Kingdom	The import, storage and despatch of cementitious materials.
Aggregate Industries UK Ltd Woodhall Spa Quarry Tattershall Road Kirkby on Bain Woodhall Spa Lincolnshire LN10 6YN United Kingdom	The control and operation of quarry activities, the storage, processing and distribution of dry stone products.

Original Registration Date: 2006-01-19

Latest Revision Date: 2024-04-09

Effective Date: 2024-02-10

Expiry Date: 2027-02-09

Page: 29 of 29

This certificate was issued electronically and remains the property of BSI and is bound by the conditions of contract.
An electronic certificate can be authenticated [online](#).
Printed copies can be validated at www.bsigroup.com/ClientDirectory

Information and Contact: BSI, Kitemark Court, Davy Avenue, Knowlhill, Milton Keynes MK5 8PP. Tel: + 44 345 080 9000
BSI Assurance UK Limited, registered in England under number 7805321 at 389 Chiswick High Road, London W4 4AL, UK.
A Member of the BSI Group of Companies.

Certificate of Registration

ENVIRONMENTAL MANAGEMENT SYSTEM - ISO 14001:2015

This is to certify that:

Aggregates Industries UK Ltd
Bardon Hill
Bardon Road
Coalville
LE67 1TL
United Kingdom

Holds Certificate Number:

EMS 96928

and operates an Environmental Management System which complies with the requirements of ISO 14001:2015 for the following scope:

Please see scope page.

For and on behalf of BSI:

Matt Page, Managing Director Assurance - UK & Ireland

Original Registration Date: 2006-01-19

Latest Revision Date: 2024-04-09

Effective Date: 2024-02-10

Expiry Date: 2027-02-09

Page: 1 of 43



...making excellence a habit.™

Certificate No: EMS 96928

Registered Scope:

The extraction, processing and supply of the following products:-

- Coarse and fine aggregates
- Blended aggregates
- Fills and sub-bases
- Rock armour stone
- Dimensional stone
- Rail ballast
- Agriculture lime
- The production of bituminous mixtures for roads, airfields and other paved areas.
- The recycling of bitumen bound aggregates into asphalt mixes.
- The recycling and processing of secondary aggregates.
- The production of pre-cast concrete building products for structural, civil engineering and domestic applications.
- Production and supply of wooden moulds and polyurethane inserts for internal use and Bradstone Licenses.
- Supply of bagged specialist, decorative, water filtration aggregates and Highway instatement products.
- The production and sale of ready-mixed concrete.
- The import, storage and dispatch of cementitious materials.
- The sourcing and supply of Power Station Fly Ash materials into the Ready-Mixed Concrete market, Concrete Products markets and other related applications
- The collection, recycling and disposal of construction and demolition waste including the production and supply of sub base and general fill materials.
- The management of stock piles.
- The unloading of Aggregate trains.
- The supply and lay of asphalt and dry stone materials to airfields, roads and other paved construction.
- The selection and management of subcontractors and suppliers (supply chain members).
- The management, construction and design of civil engineering projects, structures and associated works.
- Highway surfacing, reinstatement and associated minor civil engineering works.
- The laying of bituminous mixes.
- The planning, sawing, miling, crack and seating of pavement surfaces, including the provision of specialist services, for the technical enhancement of roads and airfield surfaces.
- Mix design of cement and other hydraulically bound materials.
- The mixing of bulk powders, granular materials, liquids and additives by continuous process of civil engineering and environmental purposes and for use as encapsulating material for landfill containment and site remediation.
- The supply and laying of cement bound materials to airfields, roads, ports and other paved constructions.
- Maintenance of plant and equipment.
- The development, testing, manufacture and storage of cement and cementitious products including quarrying, blending and road loading operations.

Original Registration Date: 2006-01-19

Effective Date: 2024-02-10

Latest Revision Date: 2024-04-09

Expiry Date: 2027-02-09

Page: 2 of 43

This certificate was issued electronically and remains the property of BSI and is bound by the conditions of contract.

An electronic certificate can be authenticated [online](#).

Printed copies can be validated at www.bsigroup.com/ClientDirectory

Certificate No: EMS 96928

Registered Scope:

- The development and manufacture of cements and blended cements.
- The sourcing of pulverized fuel ash to European Standards and blending with cementitious products to customer agreed specifications.
- The production and supply of pre-cast concrete building products for structural, civil engineering and domestic operations.



Original Registration Date: 2006-01-19

Latest Revision Date: 2024-04-09

Effective Date: 2024-02-10

Expiry Date: 2027-02-09

Page: 3 of 43

This certificate was issued electronically and remains the property of BSI and is bound by the conditions of contract.
An electronic certificate can be authenticated [online](#).
Printed copies can be validated at www.bsigroup.com/ClientDirectory

Information and Contact: BSI, Kitemark Court, Davy Avenue, Knowlhill, Milton Keynes MK5 8PP. Tel: + 44 345 080 9000
BSI Assurance UK Limited, registered in England under number 7805321 at 389 Chiswick High Road, London W4 4AL, UK.
A Member of the BSI Group of Companies.

Certificate No: EMS 96928

Location	Registered Activities
Aggregate Industries UK Ltd Kendall Bros Portsmouth Alton Readymix Hutchings and Carters Yard Waterbrook Road Alton Hampshire GU34 2QH United Kingdom	The production and supply of readymix concrete.
Aggregate Industries UK Ltd Hulland Ward Moordale Laboratory Smith Hall Lane Hulland Ward Ashbourne Derbyshire DE6 3ET United Kingdom	The design and development of bituminous products, aggregates and concrete.
Aggregate Industries UK Ltd Hulland Ward Concrete Products Smith Hall Lane Hulland Ward Ashbourne Derbyshire DE6 3ET United Kingdom	The production, design and supply of pre-cast concrete building products for structural, civil engineering and domestic applications. The recycling and processing of secondary aggregates.
Aggregate Industries UK Ltd Hulands Asphalt Plant Bowes Barnard Castle County Durham DL12 9JW United Kingdom	The production and supply of bituminous mixes.
Aggregate Industries UK Ltd Grovebury Quarry Grovebury Road Leighton Buzzard Bedfordshire LU7 4TB United Kingdom	The extraction, processing and supply of silica sand. Production and supply of sand.

Original Registration Date: 2006-01-19

Latest Revision Date: 2024-04-09

Effective Date: 2024-02-10

Expiry Date: 2027-02-09

Page: 4 of 43

This certificate was issued electronically and remains the property of BSI and is bound by the conditions of contract.

An electronic certificate can be authenticated [online](#).

Printed copies can be validated at www.bsigroup.com/ClientDirectory

Information and Contact: BSI, Kitemark Court, Davy Avenue, Knowlhill, Milton Keynes MK5 8PP. Tel: + 44 345 080 9000
BSI Assurance UK Limited, registered in England under number 7805321 at 389 Chiswick High Road, London W4 4AL, UK.
A Member of the BSI Group of Companies.

Certificate No: EMS 96928

Location	Registered Activities
Aggregate Industries UK Ltd Ashington Concrete Products Brock Lane West Sleekburn Bedlington Northumberland NE22 7BY United Kingdom	The production and supply of pre-cast concrete building products for structural, civil engineering and domestic operations.
Aggregate Industries UK Ltd Aston Readymix Plume Street Aston Birmingham B7 5JT United Kingdom	The production and supply of readymix concrete.
Aggregate Industries UK Ltd Bonnyrigg Readymix Dalhousie Business Park Carrington Road Cockpen Bonnyrigg EH19 3HY United Kingdom	The production and supply of readymix concrete
Aggregate Industries UK Ltd Bradford Readymix Mill Lane Broomfields Bradford West Yorkshire BD5 8HF United Kingdom	The production and supply of readymix concrete.
Aggregate Industries UK Ltd Brentford Readymix Transport Avenue Great West Road Brentford TW8 9HQ United Kingdom	The production and supply of readymix concrete

Original Registration Date: 2006-01-19

Latest Revision Date: 2024-04-09

Effective Date: 2024-02-10

Expiry Date: 2027-02-09

Page: 5 of 43

This certificate was issued electronically and remains the property of BSI and is bound by the conditions of contract.

An electronic certificate can be authenticated [online](#).

Printed copies can be validated at www.bsigroup.com/ClientDirectory

Information and Contact: BSI, Kitemark Court, Davy Avenue, Knowlhill, Milton Keynes MK5 8PP. Tel: + 44 345 080 9000
BSI Assurance UK Limited, registered in England under number 7805321 at 389 Chiswick High Road, London W4 4AL, UK.
A Member of the BSI Group of Companies.

Certificate No: EMS 96928

Location	Registered Activities
Aggregate Industries UK Ltd Shoreham Readymix Basin Road South Portslade Brighton BN41 1WF United Kingdom	The production and supply of readymix concrete.
Aggregate Industries UK Ltd Avonmouth Readymix BBV Avonmouth Royal Edward Dock Bristol BS11 9BW United Kingdom	The manufacture and supply of readymix concrete.
Aggregate Industries UK Ltd Newbold Quarry Lichfield Road Barton under Needwood Burton-on-Trent Staffordshire DE13 8EG United Kingdom	The extraction processing, and supply of coarse and fine aggregates, blended aggregates, fills, sub-bases
Aggregate Industries UK Ltd Burton Concrete Products Lichfield Road Barton under Needwood Burton-on-Trent Staffordshire DE13 8EG United Kingdom	The production and supply of pre-cast concrete building products for structural, civil engineering and domestic operations.
Aggregate Industries UK Ltd Cambridge Readymix Cambridge Road Milton Cambridge Cambridgeshire CB24 6AZ United Kingdom	The production and supply of readymix concrete

Original Registration Date: 2006-01-19

Latest Revision Date: 2024-04-09

Effective Date: 2024-02-10

Expiry Date: 2027-02-09

Page: 6 of 43

This certificate was issued electronically and remains the property of BSI and is bound by the conditions of contract.

An electronic certificate can be authenticated [online](#).

Printed copies can be validated at www.bsigroup.com/ClientDirectory

Information and Contact: BSI, Kitemark Court, Davy Avenue, Knowlhill, Milton Keynes MK5 8PP. Tel: + 44 345 080 9000
BSI Assurance UK Limited, registered in England under number 7805321 at 389 Chiswick High Road, London W4 4AL, UK.
A Member of the BSI Group of Companies.

Certificate No: EMS 96928

Location	Registered Activities
Aggregate Industries UK Ltd Little Paxton Quarry Saint Neots Huntingdon Cambridgeshire PE19 6ET United Kingdom	The extraction, processing and supply of coarse, fine aggregates and blended aggregates
Aggregate Industries UK Ltd Back Lane Asphalt Plant Back Lane Carnforth Lancashire LA6 1EA United Kingdom	The production and supply of bituminous mixes. The production and supply of filler
Aggregate Industries UK Ltd High Roads Concrete Products High Road Nether Kellet Carnforth Lancashire LA6 1EA United Kingdom	The production and supply of pre-cast blocks.
Aggregate Industries UK Ltd Chatham Cementitious Maritime House Southside 3 Chatham Docks Estate Chatham Kent ME4 4SR United Kingdom	The import, storage and despatch of cementitious materials.
Aggregate Industries UK Ltd Callow Concrete Products Shipham Gorge Cheddar Somerset BS27 3DQ United Kingdom	The production and supply of pre-cast concrete building products for structural, civil engineering and domestic operations.

Original Registration Date: 2006-01-19

Latest Revision Date: 2024-04-09

Effective Date: 2024-02-10

Expiry Date: 2027-02-09

Page: 7 of 43

This certificate was issued electronically and remains the property of BSI and is bound by the conditions of contract.

An electronic certificate can be authenticated [online](#).

Printed copies can be validated at www.bsigroup.com/ClientDirectory

Information and Contact: BSI, Kitemark Court, Davy Avenue, Knowlhill, Milton Keynes MK5 8PP. Tel: + 44 345 080 9000
BSI Assurance UK Limited, registered in England under number 7805321 at 389 Chiswick High Road, London W4 4AL, UK.
A Member of the BSI Group of Companies.

Certificate No: EMS 96928

Location	Registered Activities
Aggregate Industries UK Ltd Mid Essex Asphalt Plant 9 Regiment Business Park Eagle Way Little Waltham Chelmsford Essex CM3 3PZ United Kingdom	The production and supply of bituminous mixes.
Aggregate Industries UK Ltd Chelmsford Rail Depot Land within Chelmsford Freight Yard Off Brook Street Chelmsford CM1 1SU United Kingdom	The management of a rail unloading operation.
Aggregate Industries UK Ltd Chester Readymix Liverpool Road Birkenhead Road Backford Chester Cheshire CH1 6PE United Kingdom	The production and supply of readymix concrete.
Aggregate Industries UK Ltd Bardon Hill Standard Haven Asphalt Plant Bardon Hill Coalville Leicestershire LE67 1TL United Kingdom	The production and supply of bituminous mixes. The recycling of bitumen bound aggregates for use in bituminous mixes.
Aggregate Industries UK Ltd Cementitious Materials Office Bardon Hill Bardon Road Coalville Leicestershire LE67 1TL United Kingdom	The Import and sale of cementitious materials.

Original Registration Date: 2006-01-19

Latest Revision Date: 2024-04-09

Effective Date: 2024-02-10

Expiry Date: 2027-02-09

Page: 8 of 43

This certificate was issued electronically and remains the property of BSI and is bound by the conditions of contract.

An electronic certificate can be authenticated [online](#).

Printed copies can be validated at www.bsigroup.com/ClientDirectory

Information and Contact: BSI, Kitemark Court, Davy Avenue, Knowlhill, Milton Keynes MK5 8PP. Tel: + 44 345 080 9000
BSI Assurance UK Limited, registered in England under number 7805321 at 389 Chiswick High Road, London W4 4AL, UK.
A Member of the BSI Group of Companies.

Certificate No: EMS 96928

Location	Registered Activities
Aggregate Industries UK Ltd Sitebatch Contracting Office Old Hall Farm Copt Oak Road Coalville Leicestershire LE67 9PJ United Kingdom	Production, Supply & lay of readymix surfacing solutions.
Aggregate Industries UK Ltd Bardon Hill Contracting Bardon Hill Coalville Leicestershire LE67 1TL United Kingdom	The supply and lay of bituminous and drystone materials to airfields, roads and other paved construction. The selection and management of subcontractors and suppliers (supply chain members). Highway surfacing, reinstatement and associated minor civil engineering works. The management, construction and design of civil engineering projects, structures and associated works. The laying of bituminous mixes.
Aggregate Industries UK Ltd Bodmin Readymix Lucknow Road South Walker Lines Estate Bodmin Cornwall PL31 1DR United Kingdom	The production and supply of readymix concrete
Aggregate Industries UK Ltd Kessel Readymix Longdowns Halvasso Penryn Cornwall TR10 9BX United Kingdom	The production and supply of readymix concrete
Aggregate Industries UK Ltd Heights Quarry Westgate in Weardale Bishop Auckland County Durham DL13 1PF United Kingdom	The extraction, processing and supply of coarse and fine aggregates, blended aggregates, fills and sub-bases. The extraction, processing and supply of rock armour stone. The processing and supply of filler.

Original Registration Date: 2006-01-19

Latest Revision Date: 2024-04-09

Effective Date: 2024-02-10

Expiry Date: 2027-02-09

Page: 9 of 43

This certificate was issued electronically and remains the property of BSI and is bound by the conditions of contract.

An electronic certificate can be authenticated [online](#).

Printed copies can be validated at www.bsigroup.com/ClientDirectory

Certificate No: EMS 96928

Location	Registered Activities
Aggregate Industries UK Ltd Hulands Quarry Bowes Barnard Castle County Durham DL12 9JW United Kingdom	The extraction, processing and supply of coarse and fine aggregates, blended aggregates, fills and sub-bases. The extraction, processing and supply of rock armour stone. The processing and supply of filler.
Aggregate Industries UK Ltd Darlington Readymix Cleveland Trading Estate Cleveland Street Darlington County Durham DL1 2PB United Kingdom	The production and supply of readymix concrete.
Aggregate Industries UK Ltd Crawley Asphalt Plant Crawley New Yard Gatwick Road Crawley West Sussex RH10 9RE United Kingdom	The production of bituminous mixes and the unloading of Aggregate trains.
Aggregate Industries UK Ltd Croft Quarry Marions Way Coventry Road Croft Leicestershire LE9 3GP United Kingdom	The extraction, processing and supply of coarse and fine aggregates, blended aggregates, fills and sub-bases. The stocking and distribution of coarse and fine aggregates.
Aggregate Industries UK Ltd Croft Asphalt Plant Marion's Way Coventry Road Croft Leicestershire LE9 3GP United Kingdom	The production and supply of bituminous mixes.

Original Registration Date: 2006-01-19

Latest Revision Date: 2024-04-09

Effective Date: 2024-02-10

Expiry Date: 2027-02-09

Page: 10 of 43

This certificate was issued electronically and remains the property of BSI and is bound by the conditions of contract.

An electronic certificate can be authenticated [online](#).

Printed copies can be validated at www.bsigroup.com/ClientDirectory

Information and Contact: BSI, Kitemark Court, Davy Avenue, Knowlhill, Milton Keynes MK5 8PP. Tel: + 44 345 080 9000
BSI Assurance UK Limited, registered in England under number 7805321 at 389 Chiswick High Road, London W4 4AL, UK.
A Member of the BSI Group of Companies.

Certificate No: EMS 96928

Location	Registered Activities
Aggregate Industries UK Ltd London Concrete - Purley Readymix Approach Road Off Warren Road Purley Croydon Greater London CR8 2AL United Kingdom	The production and supply of readymix concrete
Aggregate Industries UK Ltd Hillhead Quarry Clay Lane Uffculme Cullompton Devon EX15 3EP United Kingdom	The extraction, processing and supply of sand and gravel products.
Aggregate Industries UK Ltd Holme Park Quarry Burton Carnforth Cumbria LA6 1NZ United Kingdom	The extraction processing and supply of coarse and fine aggregates, blended aggregates, fills and sub-bases.
Aggregate Industries UK Ltd Ghyll Scaur Quarry The Hill Millom Cumbria LA18 5HB United Kingdom	The extraction, processing and supply of coarse and fine aggregates, blended aggregates, fills and sub-bases. The stocking and distribution of coarse and fine aggregates. The extraction, processing and supply of rock armour stone. The extraction, processing and the supply of high "Polished Stone Value" (PSV) aggregates
Aggregate Industries UK Ltd Barrow Readymix Sowerby Woods Industrial Estate Park Road Barrow-in-Furness Cumbria LA14 4QR United Kingdom	The production and supply of readymix concrete.

Original Registration Date: 2006-01-19

Latest Revision Date: 2024-04-09

Effective Date: 2024-02-10

Expiry Date: 2027-02-09

Page: 11 of 43

This certificate was issued electronically and remains the property of BSI and is bound by the conditions of contract.

An electronic certificate can be authenticated [online](#).

Printed copies can be validated at www.bsigroup.com/ClientDirectory

Certificate No: EMS 96928

Location	Registered Activities
Aggregate Industries UK Ltd Barrow 2 Readymix Anchor Line Basin Ramsden Dock Road Barrow-in-Furness Cumbria LA14 2TB United Kingdom	The production and supply of readymix concrete
Aggregate Industries UK Ltd Darwen Express Asphalt Plant Goose House Lane Darwen Lancashire BB3 0EH United Kingdom	The production and supply of bituminous mixes.
Aggregate Industries UK Ltd T/A Maxi Readymix - Derby Megaloughton Lane Spondon DE21 7BR Derbyshire DE21 7BR United Kingdom	The production and supply of readymix concrete.
Aggregate Industries UK Ltd Topley Pike Quarry Bakewell Road Buxton Derbyshire SK17 9TE United Kingdom	The extraction, processing and supply of coarse and fine aggregates, blended aggregates, fills and sub-bases. The processing and supply of agriculture lime.
Aggregate Industries UK Ltd Lee Moor Quarry Plymouth Devon PL7 5JP United Kingdom	The processing and supply of secondary aggregates.

Original Registration Date: 2006-01-19

Latest Revision Date: 2024-04-09

Effective Date: 2024-02-10

Expiry Date: 2027-02-09

Page: 12 of 43

This certificate was issued electronically and remains the property of BSI and is bound by the conditions of contract.

An electronic certificate can be authenticated [online](#).

Printed copies can be validated at www.bsigroup.com/ClientDirectory

Information and Contact: BSI, Kitemark Court, Davy Avenue, Knowlhill, Milton Keynes MK5 8PP. Tel: + 44 345 080 9000
BSI Assurance UK Limited, registered in England under number 7805321 at 389 Chiswick High Road, London W4 4AL, UK.
A Member of the BSI Group of Companies.

Certificate No: EMS 96928

Location	Registered Activities
Aggregate Industries UK Ltd Moorcroft Quarry Billacombe Plymouth Devon PL9 8AJ United Kingdom	The extraction, processing and supply of coarse and fine aggregates, blended aggregates, fills and sub-bases. The processing and supply of rock armour stone. The processing and supply of limestone filler. The importation and processing of materials for the production of recycled aggregates. The processing and supply of agriculture lime. Receipt, storage and the shipping of coarse and fine aggregates, blends, sub-bases and secondary aggregates.
Aggregate Industries UK Ltd Stoneycombe Quarry Kingskerswell Newton Abbot Devon TQ12 5LL United Kingdom	The extraction processing, and supply of coarse and fine aggregates, blended aggregates, fills, sub-bases.
Aggregate Industries UK Ltd Westleigh Quarry Burllescombe Tiverton Devon EX16 7JB United Kingdom	The extraction, processing and supply of coarse and fine aggregates, blended aggregates, fills and sub-bases. The processing and supply of rock armour stone. The processing and supply of limestone filler.
Aggregate Industries UK Ltd Axminster Readymix Whitford Road Kilmington Axminster Devon EX13 7RG United Kingdom	The production and supply of readymix concrete
Aggregate Industries UK Ltd Exeter Readymix 1 Heron Road Sowton Industrial Road Exeter Devon EX2 7LL United Kingdom	The production and supply of readymix concrete

Original Registration Date: 2006-01-19

Latest Revision Date: 2024-04-09

Effective Date: 2024-02-10

Expiry Date: 2027-02-09

Page: 13 of 43

This certificate was issued electronically and remains the property of BSI and is bound by the conditions of contract.

An electronic certificate can be authenticated [online](#).

Printed copies can be validated at www.bsigroup.com/ClientDirectory

Certificate No: EMS 96928

Location	Registered Activities
Aggregate Industries UK Ltd Kingsbridge Readymix East Allington Totnes Devon TQ9 7QQ United Kingdom	The production and supply of readymix concrete
Aggregate Industries UK Ltd Doncaster Asphalt Plant Grove Road Kirk Sandall Industrial Estate Doncaster South Yorkshire DN3 1RY United Kingdom	The production and supply of bituminous mixes.
Aggregate Industries UK Ltd Darlaston Express Asphalt Plant Units 6 & 7 Owen Road Trading Est. Downs Road West Midlands WV13 2PF United Kingdom	The production and supply of bituminous mixes.
Aggregate Industries UK Ltd Mendip Rail Merehead Shepton Mallet East Cranmore BA4 4RA United Kingdom	The loading of trains and rail depot.
Aggregate Industries UK Ltd Kendall Bros Portsmouth Eastleigh Railhead Tower Industrial Estate Tower Lane Eastleigh Hampshire SO50 6NZ United Kingdom	The storage and distribution of dry stone products.

Original Registration Date: 2006-01-19

Latest Revision Date: 2024-04-09

Effective Date: 2024-02-10

Expiry Date: 2027-02-09

Page: 14 of 43

This certificate was issued electronically and remains the property of BSI and is bound by the conditions of contract.

An electronic certificate can be authenticated [online](#).

Printed copies can be validated at www.bsigroup.com/ClientDirectory

Information and Contact: BSI, Kitemark Court, Davy Avenue, Knowlhill, Milton Keynes MK5 8PP. Tel: + 44 345 080 9000
BSI Assurance UK Limited, registered in England under number 7805321 at 389 Chiswick High Road, London W4 4AL, UK.
A Member of the BSI Group of Companies.

Certificate No: EMS 96928

Location	Registered Activities
Aggregate Industries UK Ltd Kendall Bros Portsmouth Eastleigh Readymix Tower Industrial Estate Tower Lane Eastleigh Hampshire SO50 6NZ United Kingdom	The production and supply of readymix concrete
Aggregate Industries UK Ltd Edinburgh Readymix Britannia Quay Port of Leith Leith Edinburgh EH6 6PQ United Kingdom	The production and supply of readymix concrete.
Aggregate Industries UK Ltd Harlow Depot Station Approach Harlow Mill Harlow Essex CM20 2EL United Kingdom	The storage processing and distribution of dry stone products.
Aggregate Industries UK Ltd Harlow Readymix Station Approach Harlow Mill Harlow Essex CM20 2EL United Kingdom	The production and supply of readymix concrete.
RFS Works Limited Station Approach Harlow Mill Harlow Essex Essex CM20 2EL United Kingdom	The loading and unloading of trains and provision of mobile equipment service.

Original Registration Date: 2006-01-19

Latest Revision Date: 2024-04-09

Effective Date: 2024-02-10

Expiry Date: 2027-02-09

Page: 15 of 43

This certificate was issued electronically and remains the property of BSI and is bound by the conditions of contract.

An electronic certificate can be authenticated [online](#).

Printed copies can be validated at www.bsigroup.com/ClientDirectory

Certificate No: EMS 96928

Location	Registered Activities
Aggregate Industries UK Ltd Exeter Express Asphalt Plant Rockbeare Exeter Devon EX5 2HB United Kingdom	The production and supply of bituminous mixes.
Aggregate Industries UK Ltd Grangemouth Readymix Falkirk Road Earlsgate Grangemouth Falkirk FK3 8XP United Kingdom	The production and supply of readymix concrete.
Aggregate Industries UK Ltd Kendall Bros Portsmouth Fareham Railhead Station Approach Fareham Station Fareham Hampshire PO16 0UT United Kingdom	The import, unloading of aggregate trains and the supply of aggregates.
Aggregate Industries UK Ltd Colemans Asphalt Plant Holwell Nunney Frome Somerset BA11 4PX United Kingdom	The production and supply of bituminous mixes.
Aggregate Industries UK Ltd Colemans Quarry Holwell Nunney Frome BA11 4PX United Kingdom	The extraction processing, supply of coarse and fine aggregate, blended aggregate, fills, sub-bases.

Original Registration Date: 2006-01-19

Latest Revision Date: 2024-04-09

Effective Date: 2024-02-10

Expiry Date: 2027-02-09

Page: 16 of 43

This certificate was issued electronically and remains the property of BSI and is bound by the conditions of contract.

An electronic certificate can be authenticated [online](#).

Printed copies can be validated at www.bsigroup.com/ClientDirectory

Information and Contact: BSI, Kitemark Court, Davy Avenue, Knowlhill, Milton Keynes MK5 8PP. Tel: + 44 345 080 9000
BSI Assurance UK Limited, registered in England under number 7805321 at 389 Chiswick High Road, London W4 4AL, UK.
A Member of the BSI Group of Companies.

Certificate No: EMS 96928

Location	Registered Activities
Aggregate Industries UK Ltd Glasgow Cementitious King George V Dock Shed 4 Renfrew Road Glasgow G51 4SD United Kingdom	The import, storage and despatch of cementitious materials.
Aggregate Industries UK Ltd Glasgow Readymix 279 Shettleston Road Glasgow G31 5JL United Kingdom	The production and supply of readymix concrete.
Aggregate Industries UK Ltd Renfrew Readymix Meadowside Street Renfrew Glasgow PA4 8SY United Kingdom	The production and supply of readymix concrete.
Aggregate Industries UK Ltd Chryston Asphalt Plant Auchengeich Road Chryston Glasgow Strathclyde G69 0JL United Kingdom	The production and supply of bituminous mixes.
Aggregate Industries UK Ltd Chryston Concrete Products Auchengeich Road Chryston Glasgow Strathclyde G69 0JL United Kingdom	The production and supply of pre-cast concrete building products for structural, civil engineering and domestic operations.

Original Registration Date: 2006-01-19

Latest Revision Date: 2024-04-09

Effective Date: 2024-02-10

Expiry Date: 2027-02-09

Page: 17 of 43

This certificate was issued electronically and remains the property of BSI and is bound by the conditions of contract.

An electronic certificate can be authenticated [online](#).

Printed copies can be validated at www.bsigroup.com/ClientDirectory

Certificate No: EMS 96928

Location	Registered Activities
Aggregate Industries UK Ltd Kempsford Quarry Manor Farm Kempsford Gloucestershire GL7 4NJ United Kingdom	The extraction, processing and supply of sand and gravel products.
Aggregate Industries UK Ltd Grangemouth Asphalt Plant Falkirk Road Earlsgate Grangemouth FK3 8XF United Kingdom	The production and supply of bituminous mixes.
Aggregate Industries UK Ltd Northfleet Asphalt Plant Robins Wharf Grove Road Northfleet Gravesend Kent DA11 9AX United Kingdom	The production and supply of bituminous mixes.
Aggregate Industries UK Ltd Botley Asphalt Plant Station Hill Curdridge Botley Hampshire SO30 2DN United Kingdom	The production and supply of bituminous mixes.
Aggregate Industries UK Ltd Hertford Express Asphalt Plant Water Hole Quarry Lower Hatfield Road Hertford Hertfordshire SG13 8LE United Kingdom	The production and supply of bituminous mixes.

Original Registration Date: 2006-01-19

Latest Revision Date: 2024-04-09

Effective Date: 2024-02-10

Expiry Date: 2027-02-09

Page: 18 of 43

This certificate was issued electronically and remains the property of BSI and is bound by the conditions of contract.

An electronic certificate can be authenticated [online](#).

Printed copies can be validated at www.bsigroup.com/ClientDirectory

Information and Contact: BSI, Kitemark Court, Davy Avenue, Knowlhill, Milton Keynes MK5 8PP. Tel: + 44 345 080 9000
BSI Assurance UK Limited, registered in England under number 7805321 at 389 Chiswick High Road, London W4 4AL, UK.
A Member of the BSI Group of Companies.

Certificate No: EMS 96928

Location	Registered Activities
Aggregate Industries UK Ltd Spadeoak Construction Town Lane Wooburn Green High Wycombe Buckinghamshire HP10 0PD United Kingdom	The supply and lay of asphalt and bitumen surfacing, sports surfacing and associated minor civil engineering works.
Aggregate Industries UK Ltd Huddersfield Express Asphalt Plant Red Doles Lane Huddersfield West Yorkshire HD2 1YF United Kingdom	The production and supply of bituminous mixes.
Aggregate Industries UK Ltd Inverness Asphalt Plant 24A Longman Drive Industrial Estate Inverness Highland IV1 1SU United Kingdom	The production and supply of bituminous mixes
Aggregate Industries UK Ltd T/A Wight Building Materials Concrete Products - St Georges Down St Georges Down Blackwater Newport Isle of Wight PO30 3BX United Kingdom	The production of concrete blocks
Aggregate Industries UK Ltd T/A Wight Building Materials St Georges Down Asphalt Plant St Georges Down Blackwater Newport Isle of Wight PO30 3BX United Kingdom	The production and supply of bituminous mixes.

Original Registration Date: 2006-01-19

Latest Revision Date: 2024-04-09

Effective Date: 2024-02-10

Expiry Date: 2027-02-09

Page: 19 of 43

This certificate was issued electronically and remains the property of BSI and is bound by the conditions of contract.

An electronic certificate can be authenticated [online](#).

Printed copies can be validated at www.bsigroup.com/ClientDirectory

Information and Contact: BSI, Kitemark Court, Davy Avenue, Knowlhill, Milton Keynes MK5 8PP. Tel: + 44 345 080 9000
BSI Assurance UK Limited, registered in England under number 7805321 at 389 Chiswick High Road, London W4 4AL, UK.
A Member of the BSI Group of Companies.

Certificate No: EMS 96928

Location	Registered Activities
Aggregate Industries UK Ltd T/A Wight Building Materials St Georges Down Readymix St. Georges Down Blackwater Newport Isle of Wight PO30 3BX United Kingdom	The production and supply of readymix concrete
Aggregate Industries UK Ltd T/A Wight Building Materials St Georges Down Quarry St Georges Down Blackwater Newport Isle of Wight PO30 3BX United Kingdom	The extraction, processing and supply of sand and gravel products
Aggregate Industries UK Ltd Isle of Grain Depot Rochester Kent ME3 0AG United Kingdom	The storage, processing and distribution of aggregates and rail ballast.
Aggregate Industries UK Ltd Ebbsfleet Readymix Castle Hill Depot Watling Street Bean, Dartford Kent DA2 8AH United Kingdom	The production and supply of readymix concrete.
Aggregate Industries UK Ltd Holme Park Readymix Burton Carnforth Cumbria LA6 1NZ LA6 1NZ United Kingdom	The production and supply of readymix concrete.

Original Registration Date: 2006-01-19

Latest Revision Date: 2024-04-09

Effective Date: 2024-02-10

Expiry Date: 2027-02-09

Page: 20 of 43

This certificate was issued electronically and remains the property of BSI and is bound by the conditions of contract.

An electronic certificate can be authenticated [online](#).

Printed copies can be validated at www.bsigroup.com/ClientDirectory

Information and Contact: BSI, Kitemark Court, Davy Avenue, Knowlhill, Milton Keynes MK5 8PP. Tel: + 44 345 080 9000
BSI Assurance UK Limited, registered in England under number 7805321 at 389 Chiswick High Road, London W4 4AL, UK.
A Member of the BSI Group of Companies.

Certificate No: EMS 96928

Location	Registered Activities
Aggregate Industries UK Ltd Duntilland Quarry Salsburgh Shotts Lanarkshire ML7 4NZ United Kingdom	The extraction, processing and supply of coarse and fine aggregates, blended aggregates, fills and sub-bases. The stocking and distribution of coarse and fine aggregates. The extraction, processing and supply of rock armour stone. The extraction, processing and the supply of high "Polished Stone Value" (PSV) aggregates
Aggregate Industries UK Ltd Duntilland Readymix Duntilland Quarry Salsburgh Shotts Lanarkshire ML7 4NZ United Kingdom	The production and supply of readymix concrete.
Aggregate Industries UK Ltd Back Lane Quarry Back Lane Carnforth Lancashire LA6 1EA United Kingdom	The extraction, processing and supply of coarse and fine aggregates, blended aggregates, fills and sub-bases. The processing and supply of agriculture lime. The extraction, processing and supply of rock armour stone.
Aggregate Industries UK Ltd Lancaster Readymix Unit C4a Europa Way Lune Industrial Estate Lancaster Lancashire LA1 5QP United Kingdom	The production and supply of readymix concrete.
Aggregate Industries UK Ltd Leeds Readymix 40A Knowsthorpe Lane Leeds West Yorkshire LS9 0PF United Kingdom	The production and supply of readymix concrete.

Original Registration Date: 2006-01-19

Latest Revision Date: 2024-04-09

Effective Date: 2024-02-10

Expiry Date: 2027-02-09

Page: 21 of 43

This certificate was issued electronically and remains the property of BSI and is bound by the conditions of contract.

An electronic certificate can be authenticated [online](#).

Printed copies can be validated at www.bsigroup.com/ClientDirectory

Certificate No: EMS 96928

Location	Registered Activities
Aggregate Industries UK Ltd T/A Maxi Readymix - Croft Marions Way Coventry Road Croft Leicester Leicestershire LE9 3GP United Kingdom	The production and supply of readymix concrete.
Aggregate Industries UK Ltd Croft Concrete Products Marrions Way Coventry Road Croft Leicester Leicestershire LE9 3GP United Kingdom	The production and supply of pre-cast concrete building products for structural, civil engineering and domestic operations.
Aggregate Industries UK Ltd Bardon Hill Benninghoven Asphalt Plant Coalville Leicester LE67 1TL United Kingdom	The production and supply of bituminous mixes. The recycling of bitumen bound aggregates for use in bituminous mixes.
Aggregate Industries UK Ltd T/A Maxi Readymix - Whetstone Whetstone Readymix Enderby Road Industrial Estate Whetstone Leicester Leicestershire LE8 6HZ United Kingdom	The production and supply of readymix concrete.

Original Registration Date: 2006-01-19

Latest Revision Date: 2024-04-09

Effective Date: 2024-02-10

Expiry Date: 2027-02-09

Page: 22 of 43

This certificate was issued electronically and remains the property of BSI and is bound by the conditions of contract.

An electronic certificate can be authenticated [online](#).

Printed copies can be validated at www.bsigroup.com/ClientDirectory

Information and Contact: BSI, Kitemark Court, Davy Avenue, Knowlhill, Milton Keynes MK5 8PP. Tel: + 44 345 080 9000
BSI Assurance UK Limited, registered in England under number 7805321 at 389 Chiswick High Road, London W4 4AL, UK.
A Member of the BSI Group of Companies.

Certificate No: EMS 96928

Location	Registered Activities
Aggregate Industries UK Ltd Bardon Hill Head Office Bardon Hill Bardon Road Coalville Leicestershire Leicestershire LE67 1TL United Kingdom	The administration and management of the environmental management system.
Aggregate Industries UK Ltd Bardon Hill Quarry Bardon Hill Coalville Leicestershire LE67 1TL United Kingdom	The extraction, processing and supply of coarse and fine aggregates, blended aggregates, fills and sub-bases. The stocking and distribution of coarse and fine aggregates. The extraction, processing and supply of rock armour stone. The extraction, processing and the supply of high "Polished Stone Value" (PSV) aggregates
Aggregate Industries UK Ltd Eastern Way Quarry Eastern Way Heath and Reach Leighton Buzzard Bedfordshire LU7 9LF United Kingdom	The sale, production and supply of silica sand for industrial and recreational use. Production and supply of asphalt sands. The supply of filter gravels. Supply of specialist filter media.
Aggregate Industries UK Ltd Leighton Buzzard Concrete Products Grovebury Road Grovebury Industrial Estate Leighton Buzzard Bedfordshire LU7 4RU United Kingdom	The production and supply of pre-cast concrete building products for structural, civil engineering and domestic operations.
Aggregate Industries UK Ltd Liverpool Asphalt Plant 4-7 Leckwith Road Netherton Bootle Liverpool Merseyside L30 6UF United Kingdom	The production and supply of bituminous mixes.

Original Registration Date: 2006-01-19

Latest Revision Date: 2024-04-09

Effective Date: 2024-02-10

Expiry Date: 2027-02-09

Page: 23 of 43

This certificate was issued electronically and remains the property of BSI and is bound by the conditions of contract.

An electronic certificate can be authenticated [online](#).

Printed copies can be validated at www.bsigroup.com/ClientDirectory

Certificate No: EMS 96928

Location	Registered Activities
Aggregate Industries UK Ltd Liverpool Readymix Unit 11 Sefton Industrial Estate Maghull Liverpool Merseyside L31 8BX United Kingdom	The production and supply of readymix concrete.
Aggregate Industries UK Ltd Seaforth Docks Depot Yeoman Backhouse Seaforth Area B Seaforth Dock Liverpool Merseyside L21 1DJ United Kingdom	The mixing of aggregates and supply in bulk form.
Aggregate Industries UK Ltd Liverpool Seaforth Readymix Yeoman Backhouse Seaforth Area B Seaforth Dock Liverpool Merseyside L21 1JD United Kingdom	The production and supply of readymix concrete
Aggregate Industries UK Ltd Greenwich Asphalt Plant Angerstein Wharf Horn Link Way Greenwich London SE10 0RT United Kingdom	The production and supply of bituminous mixes.

Original Registration Date: 2006-01-19

Latest Revision Date: 2024-04-09

Effective Date: 2024-02-10

Expiry Date: 2027-02-09

Page: 24 of 43

This certificate was issued electronically and remains the property of BSI and is bound by the conditions of contract.

An electronic certificate can be authenticated [online](#).

Printed copies can be validated at www.bsigroup.com/ClientDirectory

Certificate No: EMS 96928

Location	Registered Activities
Aggregate Industries UK Ltd Acton Depot Stone Terminal Horn Lane Acton London W3 9EH United Kingdom	The management of stock piles. The unloading of Aggregate trains.
Aggregate Industries UK Ltd Bow Depot Wick Lane Bow London E3 2TB United Kingdom	The import, storage and distribution of dry stone products.
Aggregate Industries UK Ltd London Concrete - Battersea Readymix 100 Silverthorne Road St Rule Street Battersea London SW8 3EG United Kingdom	The production and supply of readymix concrete
Aggregate Industries UK Ltd London Concrete - Greenwich Readymix Angerstein Wharf Horn Link Way Greenwich London SE10 0RT United Kingdom	The production and supply of readymix concrete
Aggregate Industries UK Ltd London Concrete - Hornsey Readymix Cranford Industry Estate Tottenham Lane Hornsey London N8 9DG United Kingdom	The production and supply of readymix concrete

Original Registration Date: 2006-01-19

Latest Revision Date: 2024-04-09

Effective Date: 2024-02-10

Expiry Date: 2027-02-09

Page: 25 of 43

This certificate was issued electronically and remains the property of BSI and is bound by the conditions of contract.

An electronic certificate can be authenticated [online](#).

Printed copies can be validated at www.bsigroup.com/ClientDirectory

Information and Contact: BSI, Kitemark Court, Davy Avenue, Knowlhill, Milton Keynes MK5 8PP. Tel: + 44 345 080 9000
BSI Assurance UK Limited, registered in England under number 7805321 at 389 Chiswick High Road, London W4 4AL, UK.
A Member of the BSI Group of Companies.

Certificate No: EMS 96928

Location	Registered Activities
Aggregate Industries UK Ltd London Concrete - Bow Readymix Bow Midland Depot Wick Lane London E3 2TB United Kingdom	The production and supply of readymix concrete
Aggregate Industries UK Ltd London Concrete-Old Oak Common Readymix Old Oak Common Depot Old Oak Common Lane London NW10 6DZ United Kingdom	The production and supply of readymix concrete.
Aggregate Industries UK Ltd Luton Express Asphalt Plant 30-31 Cosgrove Way Luton Bedfordshire LU1 1XL United Kingdom	The production and supply of bituminous mixes.
Aggregate Industries UK Ltd Salford Express Asphalt Plant Mode Wheel Road South Weaste Salford Manchester M50 1DG United Kingdom	The production and supply of bituminous mixes.
Aggregate Industries UK Ltd Stockport Express Asphalt Plant Cromwell Road Bredbury Stockport Manchester SK6 2RF United Kingdom	The production and supply of bituminous mixes.

Original Registration Date: 2006-01-19

Latest Revision Date: 2024-04-09

Effective Date: 2024-02-10

Expiry Date: 2027-02-09

Page: 26 of 43

This certificate was issued electronically and remains the property of BSI and is bound by the conditions of contract.

An electronic certificate can be authenticated [online](#).

Printed copies can be validated at www.bsigroup.com/ClientDirectory

Information and Contact: BSI, Kitemark Court, Davy Avenue, Knowlhill, Milton Keynes MK5 8PP. Tel: + 44 345 080 9000
BSI Assurance UK Limited, registered in England under number 7805321 at 389 Chiswick High Road, London W4 4AL, UK.
A Member of the BSI Group of Companies.

Certificate No: EMS 96928

Location	Registered Activities
Aggregate Industries UK Ltd Salford Readymix Mode Wheel Road South Weaste Salford Manchester M50 1DG United Kingdom	The production and supply of readymix concrete.
Aggregate Industries UK Ltd Manchester Readymix Former Arla Dairy Paston Road Sharston Industrial Area Manchester M22 4TF United Kingdom	The manufacture and supply of readymix concrete.
Aggregate Industries UK Ltd Milton Keynes Readymix Chesney Wold Bleak Hall Milton Keynes Buckinghamshire MK6 1LN United Kingdom	The production and supply of readymix concrete.
Aggregate Industries UK Ltd Scotland Contracting Trilogy 3 21 Woodhall Eurocentral Motherwell Lanarkshire ML1 4YT United Kingdom	The supply and lay of asphalt and drystone materials to airfields, roads and other paved construction. The selection and management of subcontractors and suppliers (supply chain members). Highway surfacing, reinstatement and associated minor civil engineering works. The management, construction and design of civil engineering projects, structures and associated works. The laying of asphalt mixes.
Aggregate Industries UK Ltd Neath Express Asphalt Plant Neath Abbey Wharf Jenkins Road Neath West Glamorgan SA10 6BL United Kingdom	The production and supply of bituminous mixes.

Original Registration Date: 2006-01-19

Latest Revision Date: 2024-04-09

Effective Date: 2024-02-10

Expiry Date: 2027-02-09

Page: 27 of 43

This certificate was issued electronically and remains the property of BSI and is bound by the conditions of contract.

An electronic certificate can be authenticated [online](#).

Printed copies can be validated at www.bsigroup.com/ClientDirectory

Certificate No: EMS 96928

Location	Registered Activities
Aggregate Industries UK Ltd Newark Express Asphalt Plant Quarry Farm Bowbridge Lane Hawton Newark Nottinghamshire NG24 3BZ United Kingdom	The production and supply of bituminous mixes.
Aggregate Industries UK Ltd Stoke Readymix Parkhouse Road East Parkhouse Industrial Estate East Chesterton Newcastle on Lyme Staffordshire ST5 7RB United Kingdom	The production and supply of readymix concrete.
Aggregate Industries UK Ltd Melbur Asphalt Plant Melbur Block Works Summercourt Newquay Cornwall TR8 5UA United Kingdom	The production and supply of bituminous mixes.
Aggregate Industries UK Ltd Melbur Readymix Melbur Block Works Summercourt Newquay Cornwall TR8 5UA United Kingdom	The production and supply of readymix concrete
Aggregate Industries UK Ltd Stoneycombe Readymix Kingskerswell Newton Abbot Devon TQ12 5LL United Kingdom	The production and supply of readymix concrete.

Original Registration Date: 2006-01-19

Latest Revision Date: 2024-04-09

Effective Date: 2024-02-10

Expiry Date: 2027-02-09

Page: 28 of 43

This certificate was issued electronically and remains the property of BSI and is bound by the conditions of contract.

An electronic certificate can be authenticated [online](#).

Printed copies can be validated at www.bsigroup.com/ClientDirectory

Information and Contact: BSI, Kitemark Court, Davy Avenue, Knowlhill, Milton Keynes MK5 8PP. Tel: + 44 345 080 9000
BSI Assurance UK Limited, registered in England under number 7805321 at 389 Chiswick High Road, London W4 4AL, UK.
A Member of the BSI Group of Companies.

Certificate No: EMS 96928

Location	Registered Activities
Aggregate Industries UK Ltd Coatbridge Readymix 3 Locks Street Coatbridge North Lanarkshire ML5 3RT United Kingdom	The production and supply of readymix concrete.
Aggregate Industries UK Ltd Ashington Readymix Brock Lane West Sleekburn Bedlington Northumberland NE22 7BY United Kingdom	The production and supply of readymix concrete.
Aggregate Industries UK Ltd Cheshire Asphalt Plant Wincham Avenue Wincham Northwich Cheshire CW9 6GB United Kingdom	The production and supply of bituminous mixes.
Aggregate Industries UK Ltd T/A Maxi Readymix - Nottingham New Lane Private Road 4 Colwick Industrial Estate Nottingham Nottinghamshire NG4 2JT United Kingdom	The production and supply of readymix concrete.
Aggregate Industries UK Ltd T/A Maxi Readymix - Mansfield Ratcher Hill Quarry Southwell Road West Mansfield Nottinghamshire NG21 0HJ United Kingdom	The production and supply of readymix concrete.

Original Registration Date: 2006-01-19

Latest Revision Date: 2024-04-09

Effective Date: 2024-02-10

Expiry Date: 2027-02-09

Page: 29 of 43

This certificate was issued electronically and remains the property of BSI and is bound by the conditions of contract.

An electronic certificate can be authenticated [online](#).

Printed copies can be validated at www.bsigroup.com/ClientDirectory

Certificate No: EMS 96928

Location	Registered Activities
Aggregate Industries UK Ltd Glensanda Quarry Rhugh Garbh Depot Barcaldine Oban Argyll PA34 5BN United Kingdom	The extraction, processing and supply of coarse and fine aggregates, blended aggregates, fills and sub-bases. The stocking and distribution of coarse and fine aggregates. The extraction, processing and supply of rock armour stone. The extraction, processing and the supply of high "Polished Stone Value" (PSV) aggregates
Aggregate Industries UK Ltd Bicester Readymix Telford Road Bicester Oxfordshire OX26 4LD United Kingdom	The production and supply of readymix concrete.
Aggregate Industries UK Ltd Penzance Readymix Castle-an-Dinas Quarry Gulval Penzance Cornwall TR20 8AG United Kingdom	The production and supply of readymix concrete.
Aggregate Industries UK Ltd Pode Hole Quarry The Causeway Thorney Peterborough Cambridgeshire PE6 0QH United Kingdom	The extraction, processing and supply of sand and gravel products.
Aggregate Industries UK Ltd Peterborough Asphalt Plant Oxney Road Industrial Estate Oxney Road Peterborough Cambridgeshire PE1 5YW United Kingdom	The production and supply of bituminous mixes.

Original Registration Date: 2006-01-19

Latest Revision Date: 2024-04-09

Effective Date: 2024-02-10

Expiry Date: 2027-02-09

Page: 30 of 43

This certificate was issued electronically and remains the property of BSI and is bound by the conditions of contract.

An electronic certificate can be authenticated [online](#).

Printed copies can be validated at www.bsigroup.com/ClientDirectory

Certificate No: EMS 96928

Location	Registered Activities
Aggregate Industries UK Ltd Peterborough Readymix The Causeway Thorney Peterborough Cambridgeshire PE6 8QH United Kingdom	The production and supply of readymix concrete.
Aggregate Industries UK Ltd Greystone Quarry Launceston Cornwall PL15 9PF PL15 9PF United Kingdom	The extraction, processing and supply of coarse and fine aggregates, blended aggregates, fills and sub-bases. The importation and processing of materials for the production of recycled aggregates.
Aggregate Industries UK Ltd Moorcroft Asphalt Plant Billacombe Plymouth Devon PL9 8AJ United Kingdom	The production and supply of bituminous mixes.
Aggregate Industries UK Ltd Moorcroft Building Products Masterblock Billacombe Plymouth Devon PL9 8AJ United Kingdom	The production and supply of pre-cast blocks.
Aggregate Industries UK Ltd Plymouth Readymix Billacombe Plymouth Devon PL9 8AJ United Kingdom	The production and supply of readymix concrete

Original Registration Date: 2006-01-19

Latest Revision Date: 2024-04-09

Effective Date: 2024-02-10

Expiry Date: 2027-02-09

Page: 31 of 43

This certificate was issued electronically and remains the property of BSI and is bound by the conditions of contract.

An electronic certificate can be authenticated [online](#).

Printed copies can be validated at www.bsigroup.com/ClientDirectory

Certificate No: EMS 96928

Location	Registered Activities
Aggregate Industries UK Ltd Kendall Bros Portsmouth Portsmouth Readymix Kendalls Wharf Eastern Road Portsmouth Hampshire PO3 5LY United Kingdom	The production and supply of readymix concrete.
Aggregate Industries UK Ltd Kendall Bros Portsmouth Portsmouth Aggregate Kendalls Wharf Eastern Road Portsmouth Hampshire PO3 5LY United Kingdom	The distribution of Aggregates.
Aggregate Industries UK Ltd Preston Readymix Rough Hey Road Grimsargh Preston Lancashire PR2 5AR United Kingdom	The production and supply of readymix concrete
Aggregate Industries UK Ltd Purfleet Asphalt Plant Jurgens Road Off London Road Purfleet Essex RM19 1UA United Kingdom	The production and supply of bituminous mixes. The recycling of bitumen bound aggregates for use in bituminous mixes.

Original Registration Date: 2006-01-19

Latest Revision Date: 2024-04-09

Effective Date: 2024-02-10

Expiry Date: 2027-02-09

Page: 32 of 43

This certificate was issued electronically and remains the property of BSI and is bound by the conditions of contract.

An electronic certificate can be authenticated [online](#).

Printed copies can be validated at www.bsigroup.com/ClientDirectory

Certificate No: EMS 96928

Location	Registered Activities
Aggregate Industries UK Ltd Ratho Readymix Hillwood Quarry Newbridge Ratho Lothian EH28 8LU United Kingdom	The production and supply of readymix concrete.
Aggregate Industries UK Ltd Redditch Express Asphalt Plant Unit 60 Lakeside Industrial Estate Arthur Street Redditch Worcestershire B98 8JY United Kingdom	The production and supply of bituminous mixes.
Aggregate Industries UK Ltd Redditch Readymix Edgioake Lane Astwood Bank Redditch Worcestershire B96 6BG United Kingdom	The production and supply of readymix concrete.
Aggregate Industries UK Ltd Merstham Contracting Nutfield Road Merstham Redhill Surrey RH1 3ES United Kingdom	The supply and lay of asphalt and drystone materials to airfields, roads and other paved construction including diamond drilling, sawing and coring. The selection and management of subcontractors and suppliers (supply chain members). The management, construction and design of civil engineering projects, structures and associated works. Highway surfacing, reinstatement and associated minor civil engineering works. The laying of asphalt mixes.
Aggregate Industries UK Ltd Redruth Readymix Highburrow Lane Pool Industrial Estate Redruth Cornwall TR15 3RN United Kingdom	The production and supply of readymix concrete

Original Registration Date: 2006-01-19

Latest Revision Date: 2024-04-09

Effective Date: 2024-02-10

Expiry Date: 2027-02-09

Page: 33 of 43

This certificate was issued electronically and remains the property of BSI and is bound by the conditions of contract.

An electronic certificate can be authenticated [online](#).

Printed copies can be validated at www.bsigroup.com/ClientDirectory

Information and Contact: BSI, Kitemark Court, Davy Avenue, Knowlhill, Milton Keynes MK5 8PP. Tel: + 44 345 080 9000
BSI Assurance UK Limited, registered in England under number 7805321 at 389 Chiswick High Road, London W4 4AL, UK.
A Member of the BSI Group of Companies.

Certificate No: EMS 96928

Location	Registered Activities
Aggregate Industries UK Lt Kendall Bros Portsmouth Romsey Readymix Yokesford Hill Industrial Estate Belbins Romsey Hampshire SO51 0PF United Kingdom	The production and supply of readymix concrete.
Aggregate Industries UK Ltd Sandbach Readymix Springvale Industrial Estate Moston Road Sandbach Cheshire CW11 3HT United Kingdom	The production of ready-mixed concrete
Aggregate Industries UK Ltd Tinsley Readymix Unit 3 SIRFT Europa Link Tinsley Sheffield South Yorkshire S4 7WT United Kingdom	The production and supply of readymix concrete.
Aggregate Industries UK Ltd Sheffield Asphalt Plant Unit 3 SIRFT Europa Link Tinsley Sheffield South Yorkshire S9 1TQ United Kingdom	The production and supply of bituminous mixtures and coated chippings. The recycling of bitumen bound aggregates into bituminous mixes.

Original Registration Date: 2006-01-19

Latest Revision Date: 2024-04-09

Effective Date: 2024-02-10

Expiry Date: 2027-02-09

Page: 34 of 43

This certificate was issued electronically and remains the property of BSI and is bound by the conditions of contract.

An electronic certificate can be authenticated [online](#).

Printed copies can be validated at www.bsigroup.com/ClientDirectory

Certificate No: EMS 96928

Location	Registered Activities
Aggregate Industries UK Ltd Torr Works Concrete Products East Cranmore Shepton Mallet Somerset BA4 4SQ United Kingdom	The production and supply of pre-cast blocks.
Aggregate Industries UK Ltd Kendall Bros Portsmouth Shoreham Wharf New Wharf Shoreham-By-Sea West Sussex BN43 6RE United Kingdom	The distribution of Aggregates.
Aggregate Industries UK Ltd Kendall Bros Portsmouth Shoreham Readymix New Wharf Shoreham-By-Sea West Sussex BN43 6RE United Kingdom	The production and supply of readymix concrete.
Aggregate Industries UK Ltd Duntilland Asphalt Plant Salsburgh Shotts Lancashire ML7 4NZ United Kingdom	The production and supply of bituminous mixes.
RFS Works Limited Coton Hill Opposite Wood Street Shrewsbury SY1 2PR United Kingdom	The management of a rail unloading operation.

Original Registration Date: 2006-01-19

Latest Revision Date: 2024-04-09

Effective Date: 2024-02-10

Expiry Date: 2027-02-09

Page: 35 of 43

This certificate was issued electronically and remains the property of BSI and is bound by the conditions of contract.

An electronic certificate can be authenticated [online](#).

Printed copies can be validated at www.bsigroup.com/ClientDirectory

Information and Contact: BSI, Kitemark Court, Davy Avenue, Knowlhill, Milton Keynes MK5 8PP. Tel: + 44 345 080 9000
BSI Assurance UK Limited, registered in England under number 7805321 at 389 Chiswick High Road, London W4 4AL, UK.
A Member of the BSI Group of Companies.

Certificate No: EMS 96928

Location	Registered Activities
Aggregate Industries UK Ltd Haughmond Hill Quarry Uffington Shrewsbury Shropshire SY4 4RP United Kingdom	The extraction, processing and supply of coarse and fine aggregates, blended aggregates, fills and sub-bases. The stocking and distribution of coarse and fine aggregates. The extraction, processing and supply of rock armour stone. The extraction, processing and the supply of high "Polished Stone Value" (PSV) aggregates
Aggregate Industries UK Ltd Halton East Asphalt Plant Harrogate Road Skipton North Yorkshire BD23 6AD United Kingdom	The production and supply of bituminous mixes.
Aggregate Industries UK Ltd London Concrete - Heathrow Readymix Colnbrook Depot Colnbrook By-Pass Colnbrook Slough Berkshire SL3 0EB United Kingdom	The production and supply of readymix concrete
Aggregate Industries UK Ltd Heathrow Asphalt Plant Colnbrook Depot Colnbrook By-pass Colnbrook Slough Berkshire SL3 0EB United Kingdom	The production and supply of bituminous mixtures and coated chippings. The recycling of bitumen bound aggregates into asphalt mixes. The import, storage and distribution of dry stone products.
Aggregate Industries UK Ltd Callow Rock Quarry Shipham Gorge Cheddar Somerset BS27 3DQ United Kingdom	The extraction, processing and supply of coarse and fine aggregates, blended aggregates, fills and sub-bases. The stocking and distribution of coarse and fine aggregates. The extraction, processing and supply of rock armour stone.

Original Registration Date: 2006-01-19

Latest Revision Date: 2024-04-09

Effective Date: 2024-02-10

Expiry Date: 2027-02-09

Page: 36 of 43

This certificate was issued electronically and remains the property of BSI and is bound by the conditions of contract.

An electronic certificate can be authenticated [online](#).

Printed copies can be validated at www.bsigroup.com/ClientDirectory

Certificate No: EMS 96928

Location	Registered Activities
Aggregate Industries UK Ltd Torr Quarry East Cranmore Shepton Mallet Somerset BA4 4RA United Kingdom	The extraction, processing and supply of coarse and fine aggregates, blended aggregates, fills and sub-bases. The stocking and distribution of coarse and fine aggregates. The extraction, processing and supply of rock armour stone. Production and supply of rail ballast.
Aggregate Industries UK Ltd Kendall Bros Portsmouth Southampton Readymix Hazel Road Woolston Southampton Hampshire SO19 7GB United Kingdom	The production and supply of readymix concrete
Aggregate Industries UK Ltd Derby Express Asphalt Plant Celanese Road Spondon Derbyshire DE21 7BN United Kingdom	The production and supply of bituminous mixes.
Aggregate Industries UK Ltd Bristol Express Asphalt Plant Avon Gate Albert Road St Phillips Bristol BS2 0XQ United Kingdom	The production and supply of bituminous mixes.
Aggregate Industries UK Ltd Uttoxeter Quarry A50 Bypass Uttoxeter Staffordshire ST14 5AP United Kingdom	The extraction processing, and supply of coarse and fine aggregates, blended aggregates, fills, sub-bases.

Original Registration Date: 2006-01-19

Latest Revision Date: 2024-04-09

Effective Date: 2024-02-10

Expiry Date: 2027-02-09

Page: 37 of 43

This certificate was issued electronically and remains the property of BSI and is bound by the conditions of contract.
An electronic certificate can be authenticated [online](#).
Printed copies can be validated at www.bsigroup.com/ClientDirectory

Information and Contact: BSI, Kitemark Court, Davy Avenue, Knowlhill, Milton Keynes MK5 8PP. Tel: + 44 345 080 9000
BSI Assurance UK Limited, registered in England under number 7805321 at 389 Chiswick High Road, London W4 4AL, UK.
A Member of the BSI Group of Companies.

Certificate No: EMS 96928

Location	Registered Activities
Aggregate Industries UK Ltd Barton Readymix Lichfield Road Barton under Needwood Burton-on-Trent Staffordshire DE13 8EG United Kingdom	The production and supply of readymix concrete.
Aggregate Industries UK Ltd Caldon Low Quarry Yelsway Lane Waterhouses Staffordshire ST10 3EQ United Kingdom	The extraction, processing and supply of coarse and fine aggregates
Aggregate Industries UK Ltd Stalybridge Readymix Peel Street Bridge Street Stalybridge SK15 1PF United Kingdom	The production and supply of readymix concrete.
Lafarge Caudon Ltd Caudon Cement Plant Caudon Works Yelsway Lane Waterhouses Stoke on Trent Staffordshire ST10 3EQ United Kingdom	The development, testing, manufacture and storage of cement and cementitious products including quarrying, blending and road loading operations. The sourcing, processing, analysis and provision of waste derived fuels and materials. The sourcing of pulverised fuel ash to European Standards and blending with cementitious products to customer agreed specifications.
Aggregate Industries UK Ltd Geocycle UK Earls Building Caudon Works Yelsway Lane Stoke On Trent Staffordshire ST10 3EQ United Kingdom	The sourcing, processing, analysis and provision of waste derived fuels and materials.

Original Registration Date: 2006-01-19

Latest Revision Date: 2024-04-09

Effective Date: 2024-02-10

Expiry Date: 2027-02-09

Page: 38 of 43

This certificate was issued electronically and remains the property of BSI and is bound by the conditions of contract.

An electronic certificate can be authenticated [online](#).

Printed copies can be validated at www.bsigroup.com/ClientDirectory

Certificate No: EMS 96928

Location	Registered Activities
Aggregate Industries UK Ltd Stoke Express Asphalt Plant City Road Fenton Stoke-on-Trent Staffordshire ST4 1DT United Kingdom	The production and supply of bituminous mixes.
Aggregate Industries UK Ltd Blantyre Express Asphalt Whistleberry Industrial Estate Craighead Blantyre Strathclyde G72 0TH United Kingdom	The production and supply of bituminous mixes.
Aggregate Industries UK Ltd London Concrete - Tolworth Readymix Kingston Road Surbiton Surrey KT5 9NU United Kingdom	The production and supply of readymix concrete.
Aggregate Industries UK Ltd Kingsbury Readymix Gate N22 G13 BBV Kingsbury Compound Marston Lane Sutton Coldfield B76 0DG United Kingdom	The production and supply of readymix concrete.
Aggregate Industries UK Ltd North End Farm Concrete Products Ashton Keynes Swindon Wiltshire SN6 6QX United Kingdom	The production and supply of pre-cast concrete building products for structural, civil engineering and domestic operations. The provision of a sales office activity.

Original Registration Date: 2006-01-19

Latest Revision Date: 2024-04-09

Effective Date: 2024-02-10

Expiry Date: 2027-02-09

Page: 39 of 43

This certificate was issued electronically and remains the property of BSI and is bound by the conditions of contract.

An electronic certificate can be authenticated [online](#).

Printed copies can be validated at www.bsigroup.com/ClientDirectory

Information and Contact: BSI, Kitemark Court, Davy Avenue, Knowlhill, Milton Keynes MK5 8PP. Tel: + 44 345 080 9000
BSI Assurance UK Limited, registered in England under number 7805321 at 389 Chiswick High Road, London W4 4AL, UK.
A Member of the BSI Group of Companies.

Certificate No: EMS 96928

Location	Registered Activities
Aggregate Industries UK Ltd London Gateway Readymix Berth 7 DP World London Gateway Port Thurrock Essex SS17 9DY United Kingdom	The production and supply of readymix concrete
Aggregate Industries UK Ltd London Gateway Depot Berth 7 DP World London Gateway Port Thurrock Essex SS17 9PA United Kingdom	The import, storage and distribution of dry stone products.
Aggregate Industries UK Ltd Westleigh Asphalt Plant Burllescombe Tiverton Devon EX16 7JB United Kingdom	The production and supply of bituminous mixes.
Aggregate Industries UK Ltd Gateshead Readymix Nest Road Felling Gateshead Tyne and Wear NE10 0ES United Kingdom	The production and supply of readymix concrete.

Original Registration Date: 2006-01-19

Latest Revision Date: 2024-04-09

Effective Date: 2024-02-10

Expiry Date: 2027-02-09

Page: 40 of 43

This certificate was issued electronically and remains the property of BSI and is bound by the conditions of contract.

An electronic certificate can be authenticated [online](#).

Printed copies can be validated at www.bsigroup.com/ClientDirectory

Information and Contact: BSI, Kitemark Court, Davy Avenue, Knowlhill, Milton Keynes MK5 8PP. Tel: + 44 345 080 9000
BSI Assurance UK Limited, registered in England under number 7805321 at 389 Chiswick High Road, London W4 4AL, UK.
A Member of the BSI Group of Companies.

Certificate No: EMS 96928

Location	Registered Activities
Aggregate Industries UK Ltd London Concrete - Denham Readymix Summerleeze Quarry Denham Road Denham Uxbridge Buckinghamshire UB9 4EH United Kingdom	The production and supply of readymix concrete
Aggregate Industries UK Ltd Coventry Express Asphalt Plant Doyle Drive Coventry Warwickshire CV6 6NW United Kingdom	The production and supply of bituminous mixes.
Aggregate Industries UK Ltd Coleshill Readymix Gorse Lane Coleshill Warwickshire B46 1JU United Kingdom	The production and supply of readymix concrete.
Aggregate Industries UK Ltd London Concrete - Watford Readymix Orphanage Road Sidings Off Reeds Crescent Watford Hertfordshire WD24 4QZ United Kingdom	The production and supply of readymix concrete
Aggregate Industries UK Ltd Levenseat Quarry Fauldhouse Bathgate West Lothain EH47 9AD United Kingdom	The extraction, processing and supply of coarse and fine aggregates, blended aggregates, fills, sub-bases.

Original Registration Date: 2006-01-19

Latest Revision Date: 2024-04-09

Effective Date: 2024-02-10

Expiry Date: 2027-02-09

Page: 41 of 43

This certificate was issued electronically and remains the property of BSI and is bound by the conditions of contract.

An electronic certificate can be authenticated [online](#).

Printed copies can be validated at www.bsigroup.com/ClientDirectory

Information and Contact: BSI, Kitemark Court, Davy Avenue, Knowlhill, Milton Keynes MK5 8PP. Tel: + 44 345 080 9000
BSI Assurance UK Limited, registered in England under number 7805321 at 389 Chiswick High Road, London W4 4AL, UK.
A Member of the BSI Group of Companies.

Certificate No: EMS 96928

Location	Registered Activities
Aggregate Industries UK Ltd Bordesley Green Readymix 253 Bordesley Green Road Bordesley Green Birmingham West Midlands B8 1BY United Kingdom	The production and supply of readymix concrete.
Aggregate Industries UK Ltd Wickford Readymix Wickford Business Park Robert Way Wickford Essex SS11 8BH United Kingdom	The production and supply of readymix concrete
Aggregate Industries UK Ltd Wigan Readymix Units 73L & 76 Bradley Hall Trading Estate Bradley Lane Standish Wigan Greater Manchester WN6 0XQ United Kingdom	The production and supply of readymix concrete
Aggregate Industries UK Ltd Wigan Contracting Ground Floor Brunswick House Hindley Green Business Park Wigan WN2 4TN United Kingdom	The supply and lay of bituminous and drystone materials to airfields, roads and other paved construction. Highway surfacing, reinstatement and associated minor civil engineering works. The selection and management of subcontractors and suppliers (supply chain members). The management, construction and design of civil engineering projects, structures and associated works. The laying of bituminous mixes.

Original Registration Date: 2006-01-19

Latest Revision Date: 2024-04-09

Effective Date: 2024-02-10

Expiry Date: 2027-02-09

Page: 42 of 43

This certificate was issued electronically and remains the property of BSI and is bound by the conditions of contract.

An electronic certificate can be authenticated [online](#).

Printed copies can be validated at www.bsigroup.com/ClientDirectory

Information and Contact: BSI, Kitemark Court, Davy Avenue, Knowlhill, Milton Keynes MK5 8PP. Tel: + 44 345 080 9000
BSI Assurance UK Limited, registered in England under number 7805321 at 389 Chiswick High Road, London W4 4AL, UK.
A Member of the BSI Group of Companies.

Certificate No: EMS 96928

Location	Registered Activities
Aggregate Industries UK Ltd Astley Asphalt Plant Kennedy Road Astley Tyldesley Wigan, Manchester M29 7JS United Kingdom	The production and supply of bituminous mixes
Aggregate Industries UK Ltd Wolverhampton Readymix Manfield Road Strawberry Lane Willenhall WV13 3RX United Kingdom	The production and supply of readymix concrete
Aggregate Industries UK Ltd Ellesmere Cementitious New Extension Quay North Wall Ellesmere Port Docks Wirral Cheshire CH65 2IF United Kingdom	The import, storage and despatch of cementitious materials.
Aggregate Industries UK Ltd Woodhall Spa Quarry Tattershall Road Kirkby on Bain Woodhall Spa Lincolnshire LN10 6YN United Kingdom	The control and operation of quarry activities, the storage, processing and distribution of dry stone products.

Original Registration Date: 2006-01-19

Latest Revision Date: 2024-04-09

Effective Date: 2024-02-10

Expiry Date: 2027-02-09

Page: 43 of 43

This certificate was issued electronically and remains the property of BSI and is bound by the conditions of contract.

An electronic certificate can be authenticated [online](#).

Printed copies can be validated at www.bsigroup.com/ClientDirectory

Information and Contact: BSI, Kitemark Court, Davy Avenue, Knowlhill, Milton Keynes MK5 8PP. Tel: + 44 345 080 9000
BSI Assurance UK Limited, registered in England under number 7805321 at 389 Chiswick High Road, London W4 4AL, UK.
A Member of the BSI Group of Companies.

Certificate of Registration

OCCUPATIONAL HEALTH & SAFETY MANAGEMENT SYSTEM - ISO 45001:2018 (SSIP)

This is to certify that:

Aggregates Industries UK Ltd
Bardon Hill
Bardon Road
Coalville
LE67 1TL
United Kingdom

Holds Certificate Number:

OHS 61759

and operates an Occupational Health and Safety Management System which complies with the requirements of ISO 45001:2018 (SSIP) for the following scope:

Please see scope page.

For and on behalf of BSI:

Matt Page, Managing Director Assurance - UK & Ireland

Original Registration Date: 2020-04-15

Latest Revision Date: 2024-04-29

Effective Date: 2024-05-07

Expiry Date: 2027-05-06

Page: 1 of 41



SAFETY
SCHEMES IN
PROCUREMENT

...making excellence a habit.™

Certificate No: OHS 61759

Registered Scope:

- The control and operation of quarry activities, the storage, processing and distribution of dry stone products.
- The manufacture and supply of readymix concrete.
- The production and supply of bituminous mixes.
- The production of pre-cast concrete building products for structural, civil engineering and domestic operations.
- The management of stock piles.
- The unloading of Aggregate trains.
- Manufacture and supply of wooden moulds and polyurethane inserts for internal use and Bradstone licensees.
- The supply and lay of asphalt and dry stone materials to airfields, roads and other paved construction.
- The selection and management of subcontractors and suppliers (supply chain members).
- The management, construction and design of civil engineering projects, structures and associated works.
- Highway surfacing, reinstatement and associated minor civil engineering works.
- The laying of asphalt mixes.
- The planing, sawing, milling, crack and seating of pavement surfaces, including the provision of specialist services, for the technical enhancement of roads and airfield surfaces.
- Mix design of cement and other hydraulically bound materials.
- The mixing of bulk powders, granular materials, liquids and additives by continuous process for civil engineering and environmental purposes and for use as encapsulating material for landfill containment and site remediation.
- The supply and laying of cement bound materials to airfields, roads, ports and other paved constructions.
- Maintenance of plant and equipment
- The development, testing, manufacture and storage of cement and cementitious products including quarrying, blending and road loading operations.
- The development and manufacture of cements and blended cements.
- The sourcing of pulverised fuel ash to European Standards and blending with cementitious products to customer agreed specifications.
- The production and supply of pre-cast concrete building products for structural, civil engineering and domestic operations.
- Full validation of this certificate should be made via SSIP Portal www.ssiportal.org.uk

Original Registration Date: 2020-04-15

Latest Revision Date: 2024-04-29

Effective Date: 2024-05-07

Expiry Date: 2027-05-06

Page: 2 of 41

This certificate was issued electronically and remains the property of BSI and is bound by the conditions of contract.
An electronic certificate can be authenticated [online](#).
Printed copies can be validated at www.bsigroup.com/ClientDirectory

Information and Contact: BSI, Kitemark Court, Davy Avenue, Knowlhill, Milton Keynes MK5 8PP. Tel: + 44 345 080 9000
BSI Assurance UK Limited, registered in England under number 7805321 at 389 Chiswick High Road, London W4 4AL, UK.
A Member of the BSI Group of Companies.

Certificate No: OHS 61759

Location	Registered Activities
Aggregate Industries UK Ltd Kendall Bros Portsmouth Alton Readymix Hutchings and Carters Yard Waterbrook Road Alton Hampshire GU34 2QH United Kingdom	The production and supply of readymix concrete.
Aggregate Industries UK Ltd Hulland Ward Moordale Laboratory Smith Hall Lane Hulland Ward Ashbourne Derbyshire DE6 3ET United Kingdom	The design and development of bituminous products, aggregates and concrete.
Aggregate Industries UK Ltd Hulland Ward Concrete Products Smith Hall Lane Hulland Ward Ashbourne Derbyshire DE6 3ET United Kingdom	The production, design and supply of pre-cast concrete building products for structural, civil engineering and domestic applications. The recycling and processing of secondary aggregates.
Aggregate Industries UK Ltd Hulands Asphalt Plant Bowes Barnard Castle County Durham DL12 9JW United Kingdom	The production and supply of bituminous mixes.
Aggregate Industries UK Ltd Grovebury Quarry Grovebury Road Leighton Buzzard Bedfordshire LU7 4TB United Kingdom	The extraction, processing and supply of silica sand. Production and supply of sand.

Original Registration Date: 2020-04-15

Latest Revision Date: 2024-04-29

Effective Date: 2024-05-07

Expiry Date: 2027-05-06

Page: 3 of 41

This certificate was issued electronically and remains the property of BSI and is bound by the conditions of contract.

An electronic certificate can be authenticated [online](#).

Printed copies can be validated at www.bsigroup.com/ClientDirectory

Information and Contact: BSI, Kitemark Court, Davy Avenue, Knowlhill, Milton Keynes MK5 8PP. Tel: + 44 345 080 9000
BSI Assurance UK Limited, registered in England under number 7805321 at 389 Chiswick High Road, London W4 4AL, UK.
A Member of the BSI Group of Companies.

Certificate No: OHS 61759

Location	Registered Activities
Aggregate Industries UK Ltd Ashington Concrete Products Brock Lane West Sleekburn Bedlington Northumberland NE22 7BY United Kingdom	The production and supply of pre-cast concrete building products for structural, civil engineering and domestic operations.
Aggregate Industries UK Ltd Aston Readymix Plume Street Aston Birmingham B7 5JT United Kingdom	The production and supply of readymix concrete.
Aggregate Industries UK Ltd Bonnyrigg Readymix Dalhousie Business Park Carrington Road Cockpen Bonnyrigg EH19 3HY United Kingdom	The production and supply of readymix concrete
Aggregate Industries UK Ltd Bradford Readymix Mill Lane Broomfields Bradford West Yorkshire BD5 8HF United Kingdom	The production and supply of readymix concrete.
Aggregate Industries UK Ltd Brentford Readymix Transport Avenue Great West Road Brentford TW8 9HQ United Kingdom	The production and supply of readymix concrete.

Original Registration Date: 2020-04-15

Latest Revision Date: 2024-04-29

Effective Date: 2024-05-07

Expiry Date: 2027-05-06

Page: 4 of 41

This certificate was issued electronically and remains the property of BSI and is bound by the conditions of contract.

An electronic certificate can be authenticated [online](#).

Printed copies can be validated at www.bsigroup.com/ClientDirectory

Information and Contact: BSI, Kitemark Court, Davy Avenue, Knowlhill, Milton Keynes MK5 8PP. Tel: + 44 345 080 9000
BSI Assurance UK Limited, registered in England under number 7805321 at 389 Chiswick High Road, London W4 4AL, UK.
A Member of the BSI Group of Companies.

Certificate No: OHS 61759

Location	Registered Activities
Aggregate Industries UK Ltd Shoreham Readymix Basin Road South Portslade Brighton BN41 1WF United Kingdom	The production and supply of readymix concrete.
Aggregate Industries UK Ltd Avonmouth Readymix BBV Avonmouth Royal Edward Dock Bristol BS11 9BW United Kingdom	The production & Supply of Readymix Concrete.
Aggregate Industries UK Ltd Newbold Quarry Lichfield Road Barton under Needwood Burton-on-Trent Staffordshire DE13 8EG United Kingdom	The extraction processing, and supply of coarse and fine aggregates, blended aggregates, fills, sub-bases
Aggregate Industries UK Ltd Burton Concrete Products Lichfield Road Barton under Needwood Burton-on-Trent Staffordshire DE13 8EG United Kingdom	The production and supply of pre-cast concrete building products for structural, civil engineering and domestic operations.
Aggregate Industries UK Ltd Cambridge Readymix Cambridge Road Milton Cambridge Cambridgeshire CB24 6AZ United Kingdom	The production and supply of readymix concrete.

Original Registration Date: 2020-04-15

Latest Revision Date: 2024-04-29

Effective Date: 2024-05-07

Expiry Date: 2027-05-06

Page: 5 of 41

This certificate was issued electronically and remains the property of BSI and is bound by the conditions of contract.

An electronic certificate can be authenticated [online](#).

Printed copies can be validated at www.bsigroup.com/ClientDirectory

Information and Contact: BSI, Kitemark Court, Davy Avenue, Knowlhill, Milton Keynes MK5 8PP. Tel: + 44 345 080 9000
BSI Assurance UK Limited, registered in England under number 7805321 at 389 Chiswick High Road, London W4 4AL, UK.
A Member of the BSI Group of Companies.

Certificate No: OHS 61759

Location	Registered Activities
Aggregate Industries UK Ltd Little Paxton Quarry Saint Neots Huntingdon Cambridgeshire PE19 6ET United Kingdom	The extraction, processing and supply of coarse, fine aggregates and blended aggregates
Aggregate Industries UK Ltd Back Lane Asphalt Plant Back Lane Carnforth Lancashire LA6 1EA United Kingdom	The production and supply of bituminous mixes. The production and supply of filler
Aggregate Industries UK Ltd High Roads Concrete Products High Road Nether Kellet Carnforth Lancashire LA6 1EA United Kingdom	The production and supply of pre-cast blocks.
Aggregate Industries UK Ltd Chatham Cementitious Maritime House Southside 3 Chatham Docks Estate Chatham Kent ME4 4SR United Kingdom	The import, storage and despatch of cementitious materials.
Aggregate Industries UK Ltd Callow Concrete Products Shipham Gorge Cheddar Somerset BS27 3DQ United Kingdom	The production and supply of pre-cast concrete building products for structural, civil engineering and domestic operations.

Original Registration Date: 2020-04-15

Latest Revision Date: 2024-04-29

Effective Date: 2024-05-07

Expiry Date: 2027-05-06

Page: 6 of 41

This certificate was issued electronically and remains the property of BSI and is bound by the conditions of contract.

An electronic certificate can be authenticated [online](#).

Printed copies can be validated at www.bsigroup.com/ClientDirectory

Information and Contact: BSI, Kitemark Court, Davy Avenue, Knowlhill, Milton Keynes MK5 8PP. Tel: + 44 345 080 9000
BSI Assurance UK Limited, registered in England under number 7805321 at 389 Chiswick High Road, London W4 4AL, UK.
A Member of the BSI Group of Companies.

Certificate No: OHS 61759

Location	Registered Activities
Aggregate Industries UK Ltd Mid Essex Asphalt Plant 9 Regiment Business Park Eagle Way Little Waltham Chelmsford Essex CM3 3PZ United Kingdom	The production and supply of bituminous mixes.
Aggregate Industries UK Ltd Chester Readymix Liverpool Road Birkenhead Road Backford Chester Cheshire CH1 6PE United Kingdom	The production and supply of readymix concrete.
Aggregate Industries UK Ltd Bardon Hill Standard Haven Asphalt Plant Bardon Hill Coalville Leicestershire LE67 1TL United Kingdom	The production and supply of bituminous mixes. The recycling of bitumen bound aggregates for use in bituminous mixes.
Aggregate Industries UK Ltd Cementitious Materials Office Bardon Hill Bardon Road Coalville Leicestershire LE67 1TL United Kingdom	The Import and sale of cementitious materials.
Aggregate Industries UK Ltd Sitebatch Contracting Office Old Hall Farm Copt Oak Road Coalville Leicestershire LE67 9PJ United Kingdom	Production, Supply & lay of readymix surfacing solutions.

Original Registration Date: 2020-04-15

Latest Revision Date: 2024-04-29

Effective Date: 2024-05-07

Expiry Date: 2027-05-06

Page: 7 of 41

This certificate was issued electronically and remains the property of BSI and is bound by the conditions of contract.

An electronic certificate can be authenticated [online](#).

Printed copies can be validated at www.bsigroup.com/ClientDirectory

Information and Contact: BSI, Kitemark Court, Davy Avenue, Knowlhill, Milton Keynes MK5 8PP. Tel: + 44 345 080 9000
BSI Assurance UK Limited, registered in England under number 7805321 at 389 Chiswick High Road, London W4 4AL, UK.
A Member of the BSI Group of Companies.

Certificate No: OHS 61759

Location	Registered Activities
Aggregate Industries UK Ltd Bardon Hill Contracting Bardon Hill Coalville Leicestershire LE67 1TL United Kingdom	The supply and lay of bituminous and drystone materials to airfields, roads and other paved construction. The selection and management of subcontractors and suppliers (supply chain members). Highway surfacing, reinstatement and associated minor civil engineering works. The management, construction and design of civil engineering projects, structures and associated works. The laying of bituminous mixes.
Aggregate Industries UK Ltd Bodmin Readymix Lucknow Road South Walker Lines Estate Bodmin Cornwall PL31 1DR United Kingdom	The production and supply of readymix concrete
Aggregate Industries UK Ltd Kessel Readymix Longdowns Halvasso Penryn Cornwall TR10 9BX United Kingdom	The production and supply of readymix concrete
Aggregate Industries UK Ltd Heights Quarry Westgate in Weardale Bishop Auckland County Durham DL13 1PF United Kingdom	The extraction, processing and supply of coarse and fine aggregates, blended aggregates, fills and sub-bases. The extraction, processing and supply of rock armour stone. The processing and supply of filler.
Aggregate Industries UK Ltd Hulands Quarry Bowes Barnard Castle County Durham DL12 9JW United Kingdom	The extraction, processing and supply of coarse and fine aggregates, blended aggregates, fills and sub-bases. The extraction, processing and supply of rock armour stone. The processing and supply of filler.

Original Registration Date: 2020-04-15

Latest Revision Date: 2024-04-29

Effective Date: 2024-05-07

Expiry Date: 2027-05-06

Page: 8 of 41

This certificate was issued electronically and remains the property of BSI and is bound by the conditions of contract.

An electronic certificate can be authenticated [online](#).

Printed copies can be validated at www.bsigroup.com/ClientDirectory

Information and Contact: BSI, Kitemark Court, Davy Avenue, Knowlhill, Milton Keynes MK5 8PP. Tel: + 44 345 080 9000
BSI Assurance UK Limited, registered in England under number 7805321 at 389 Chiswick High Road, London W4 4AL, UK.
A Member of the BSI Group of Companies.

Certificate No: OHS 61759

Location	Registered Activities
Aggregate Industries UK Ltd Darlington Readymix Cleveland Trading Estate Cleveland Street Darlington County Durham DL1 2PB United Kingdom	The production and supply of readymix concrete.
Aggregate Industries UK Ltd T/A Maxi Readymix - Coventry Stonebrook Way Blackburn Road Industrial Estate Industrial Estate Coventry West Midlands CV6 6LN United Kingdom	The production and supply of readymix concrete.
Aggregate Industries UK Ltd Crawley Asphalt Plant Crawley New Yard Gatwick Road Crawley West Sussex RH10 9RE United Kingdom	The production of bituminous mixes and the unloading of Aggregate trains.
Aggregate Industries UK Ltd Croft Quarry Marions Way Coventry Road Croft Leicestershire LE9 3GP United Kingdom	The extraction, processing and supply of coarse and fine aggregates, blended aggregates, fills and sub-bases. The stocking and distribution of coarse and fine aggregates.
Aggregate Industries UK Ltd Croft Asphalt Plant Marion's Way Coventry Road Croft Leicestershire LE9 3GP United Kingdom	The production and supply of bituminous mixes.

Original Registration Date: 2020-04-15

Latest Revision Date: 2024-04-29

Effective Date: 2024-05-07

Expiry Date: 2027-05-06

Page: 9 of 41

This certificate was issued electronically and remains the property of BSI and is bound by the conditions of contract.

An electronic certificate can be authenticated [online](#).

Printed copies can be validated at www.bsigroup.com/ClientDirectory

Certificate No: OHS 61759

Location	Registered Activities
Aggregate Industries UK Ltd London Concrete - Purley Readymix Approach Road Off Warren Road Purley Croydon Greater London CR8 2AL United Kingdom	The production and supply of readymix concrete
Aggregate Industries UK Ltd Hillhead Quarry Clay Lane Uffculme Cullompton Devon EX15 3EP United Kingdom	The extraction, processing and supply of sand and gravel products.
Aggregate Industries UK Ltd Holme Park Quarry Burton Carnforth Cumbria LA6 1NZ United Kingdom	The extraction processing and supply of coarse and fine aggregates, blended aggregates, fills and sub-bases.
Aggregate Industries UK Ltd Ghyll Scaur Quarry The Hill Millom Cumbria LA18 5HB United Kingdom	The extraction, processing and supply of coarse and fine aggregates, blended aggregates, fills and sub-bases. The stocking and distribution of coarse and fine aggregates. The extraction, processing and supply of rock armour stone. The extraction, processing and the supply of high "Polished Stone Value" (PSV) aggregates
Aggregate Industries UK Ltd Barrow Readymix Sowerby Woods Industrial Estate Park Road Barrow-in-Furness Cumbria LA14 4QR United Kingdom	The production and supply of readymix concrete.

Original Registration Date: 2020-04-15

Latest Revision Date: 2024-04-29

Effective Date: 2024-05-07

Expiry Date: 2027-05-06

Page: 10 of 41

This certificate was issued electronically and remains the property of BSI and is bound by the conditions of contract.

An electronic certificate can be authenticated [online](#).

Printed copies can be validated at www.bsigroup.com/ClientDirectory

Information and Contact: BSI, Kitemark Court, Davy Avenue, Knowlhill, Milton Keynes MK5 8PP. Tel: + 44 345 080 9000
BSI Assurance UK Limited, registered in England under number 7805321 at 389 Chiswick High Road, London W4 4AL, UK.
A Member of the BSI Group of Companies.

Certificate No: OHS 61759

Location	Registered Activities
Aggregate Industries UK Ltd Barrow 2 Readymix Anchor Line Basin Ramsden Dock Road Barrow-in-Furness Cumbria LA14 2TB United Kingdom	The production and supply of readymix concrete
Aggregate Industries UK Ltd Darwen Express Asphalt Plant Goose House Lane Darwen Lancashire BB3 0EH United Kingdom	The production and supply of bituminous mixes.
Aggregate Industries UK Ltd T/A Maxi Readymix - Derby Megaloughton Lane Spondon DE21 7BR Derbyshire DE21 7BR United Kingdom	The production and supply of readymix concrete.
Aggregate Industries UK Ltd Topley Pike Quarry Bakewell Road Buxton Derbyshire SK17 9TE United Kingdom	The extraction, processing and supply of coarse and fine aggregates, blended aggregates, fills and sub-bases. The processing and supply of agriculture lime.
Aggregate Industries UK Ltd Lee Moor Quarry Plymouth Devon PL7 5JP United Kingdom	The processing and supply of secondary aggregates.

Original Registration Date: 2020-04-15

Latest Revision Date: 2024-04-29

Effective Date: 2024-05-07

Expiry Date: 2027-05-06

Page: 11 of 41

This certificate was issued electronically and remains the property of BSI and is bound by the conditions of contract.

An electronic certificate can be authenticated [online](#).

Printed copies can be validated at www.bsigroup.com/ClientDirectory

Information and Contact: BSI, Kitemark Court, Davy Avenue, Knowlhill, Milton Keynes MK5 8PP. Tel: + 44 345 080 9000
BSI Assurance UK Limited, registered in England under number 7805321 at 389 Chiswick High Road, London W4 4AL, UK.
A Member of the BSI Group of Companies.

Certificate No: OHS 61759

Location	Registered Activities
Aggregate Industries UK Ltd Moorcroft Quarry Billacombe Plymouth Devon PL9 8AJ United Kingdom	The extraction, processing and supply of coarse and fine aggregates, blended aggregates, fills and sub-bases. The processing and supply of rock armour stone. The processing and supply of limestone filler. The importation and processing of materials for the production of recycled aggregates. The processing and supply of agriculture lime. Receipt, storage and the shipping of coarse and fine aggregates, blends, sub-bases and secondary aggregates.
Aggregate Industries UK Ltd Stoneycombe Quarry Kingskerswell Newton Abbot Devon TQ12 5LL United Kingdom	The extraction processing, and supply of coarse and fine aggregates, blended aggregates, fills, sub-bases.
Aggregate Industries UK Ltd Westleigh Quarry Burllescombe Tiverton Devon EX16 7JB United Kingdom	The extraction, processing and supply of coarse and fine aggregates, blended aggregates, fills and sub-bases. The processing and supply of rock armour stone. The processing and supply of limestone filler.
Aggregate Industries UK Ltd Axminster Readymix Whitford Road Kilmington Axminster Devon EX13 7RG United Kingdom	The production and supply of readymix concrete
Aggregate Industries UK Ltd Exeter Readymix 1 Heron Road Sowton Industrial Road Exeter Devon EX2 7LL United Kingdom	The production and supply of readymix concrete

Original Registration Date: 2020-04-15

Latest Revision Date: 2024-04-29

Effective Date: 2024-05-07

Expiry Date: 2027-05-06

Page: 12 of 41

This certificate was issued electronically and remains the property of BSI and is bound by the conditions of contract.

An electronic certificate can be authenticated [online](#).

Printed copies can be validated at www.bsigroup.com/ClientDirectory

Information and Contact: BSI, Kitemark Court, Davy Avenue, Knowlhill, Milton Keynes MK5 8PP. Tel: + 44 345 080 9000
BSI Assurance UK Limited, registered in England under number 7805321 at 389 Chiswick High Road, London W4 4AL, UK.
A Member of the BSI Group of Companies.

Certificate No: OHS 61759

Location	Registered Activities
Aggregate Industries UK Ltd Kingsbridge Readymix East Allington Totnes Devon TQ9 7QQ United Kingdom	The production and supply of readymix concrete
Aggregate Industries UK Ltd Doncaster Asphalt Plant Grove Road Kirk Sandall Industrial Estate Doncaster South Yorkshire DN3 1RY United Kingdom	The production and supply of bituminous mixes.
Aggregate Industries UK Ltd Darlaston Express Asphalt Plant Units 6 & 7 Owen Road Trading Est. Downs Road West Midlands WV13 2PF United Kingdom	The production and supply of bituminous mixes.
Aggregate Industries UK Ltd Mendip Rail Merehead Shepton Mallet East Cranmore BA4 4RA United Kingdom	Track maintenance for the loading area and sidings, and the management of rail distribution
Aggregate Industries UK Ltd Kendall Bros Portsmouth Eastleigh Railhead Tower Industrial Estate Tower Lane Eastleigh Hampshire SO50 6NZ United Kingdom	The storage and distribution of dry stone products.

Original Registration Date: 2020-04-15

Latest Revision Date: 2024-04-29

Effective Date: 2024-05-07

Expiry Date: 2027-05-06

Page: 13 of 41

This certificate was issued electronically and remains the property of BSI and is bound by the conditions of contract.

An electronic certificate can be authenticated [online](#).

Printed copies can be validated at www.bsigroup.com/ClientDirectory

Information and Contact: BSI, Kitemark Court, Davy Avenue, Knowlhill, Milton Keynes MK5 8PP. Tel: + 44 345 080 9000
BSI Assurance UK Limited, registered in England under number 7805321 at 389 Chiswick High Road, London W4 4AL, UK.
A Member of the BSI Group of Companies.

Certificate No: OHS 61759

Location	Registered Activities
Aggregate Industries UK Ltd Kendall Bros Portsmouth Eastleigh Readymix Tower Industrial Estate Tower Lane Eastleigh Hampshire SO50 6NZ United Kingdom	The production and supply of readymix concrete
Aggregate Industries UK Ltd Edinburgh Readymix Britannia Quay Port of Leith Leith Edinburgh EH6 6PQ United Kingdom	The production and supply of readymix concrete.
Aggregate Industries UK Ltd Harlow Depot Station Approach Harlow Mill Harlow Essex CM20 2EL United Kingdom	The storage processing and distribution of dry stone products.
Aggregate Industries UK Ltd Harlow Readymix Station Approach Harlow Mill Harlow Essex CM20 2EL United Kingdom	The production and supply of readymix concrete.
RFS Works Limited Station Approach Harlow Mill Harlow Essex Essex CM20 2EL United Kingdom	The loading and unloading of trains and provision of mobile equipment service.

Original Registration Date: 2020-04-15

Latest Revision Date: 2024-04-29

Effective Date: 2024-05-07

Expiry Date: 2027-05-06

Page: 14 of 41

This certificate was issued electronically and remains the property of BSI and is bound by the conditions of contract.
An electronic certificate can be authenticated [online](#).
Printed copies can be validated at www.bsigroup.com/ClientDirectory

Information and Contact: BSI, Kitemark Court, Davy Avenue, Knowlhill, Milton Keynes MK5 8PP. Tel: + 44 345 080 9000
BSI Assurance UK Limited, registered in England under number 7805321 at 389 Chiswick High Road, London W4 4AL, UK.
A Member of the BSI Group of Companies.

Certificate No: OHS 61759

Location	Registered Activities
Aggregate Industries UK Ltd Exeter Express Asphalt Plant Rockbeare Exeter Devon EX5 2HB United Kingdom	The production and supply of bituminous mixes.
Aggregate Industries UK Ltd Grangemouth Readymix Falkirk Road Earlsgate Grangemouth Falkirk FK3 8XP United Kingdom	The production and supply of readymix concrete.
Aggregate Industries UK Ltd Colemans Asphalt Plant Holwell Nunney Frome Somerset BA11 4PX United Kingdom	The production and supply of bituminous mixes.
Aggregate Industries UK Ltd Colemans Quarry Holwell Nunney Frome BA11 4PX United Kingdom	The extraction processing, supply of coarse and fine aggregate, blended aggregate, fills, sub-bases.
Aggregate Industries UK Ltd Glasgow Cementitious King George V Dock Shed 4 Renfrew Road Glasgow G51 4SD United Kingdom	The import, storage and despatch of cementitious materials.

Original Registration Date: 2020-04-15

Latest Revision Date: 2024-04-29

Effective Date: 2024-05-07

Expiry Date: 2027-05-06

Page: 15 of 41

This certificate was issued electronically and remains the property of BSI and is bound by the conditions of contract.
An electronic certificate can be authenticated [online](#).
Printed copies can be validated at www.bsigroup.com/ClientDirectory

Information and Contact: BSI, Kitemark Court, Davy Avenue, Knowlhill, Milton Keynes MK5 8PP. Tel: + 44 345 080 9000
BSI Assurance UK Limited, registered in England under number 7805321 at 389 Chiswick High Road, London W4 4AL, UK.
A Member of the BSI Group of Companies.

Certificate No: OHS 61759

Location	Registered Activities
Aggregate Industries UK Ltd Glasgow Readymix 279 Shettleston Road Glasgow G31 5JL United Kingdom	The production and supply of readymix concrete.
Aggregate Industries UK Ltd Renfrew Readymix Meadowside Street Renfrew Glasgow PA4 8SY United Kingdom	The production and supply of readymix concrete.
Aggregate Industries UK Ltd Chryston Asphalt Plant Auchengeich Road Chryston Glasgow Strathclyde G69 0JL United Kingdom	The production and supply of bituminous mixes.
Aggregate Industries UK Ltd Chryston Concrete Products Auchengeich Road Chryston Glasgow Strathclyde G69 0JL United Kingdom	The production and supply of pre-cast concrete building products for structural, civil engineering and domestic operations.
Aggregate Industries UK Ltd Kempsford Quarry Manor Farm Kempsford Gloucestershire GL7 4NJ United Kingdom	The extraction, processing and supply of sand and gravel products.

Original Registration Date: 2020-04-15

Latest Revision Date: 2024-04-29

Effective Date: 2024-05-07

Expiry Date: 2027-05-06

Page: 16 of 41

This certificate was issued electronically and remains the property of BSI and is bound by the conditions of contract.

An electronic certificate can be authenticated [online](#).

Printed copies can be validated at www.bsigroup.com/ClientDirectory

Information and Contact: BSI, Kitemark Court, Davy Avenue, Knowlhill, Milton Keynes MK5 8PP. Tel: + 44 345 080 9000
BSI Assurance UK Limited, registered in England under number 7805321 at 389 Chiswick High Road, London W4 4AL, UK.
A Member of the BSI Group of Companies.

Certificate No: OHS 61759

Location	Registered Activities
Aggregate Industries UK Ltd Grangemouth Asphalt Plant Falkirk Road Earlsgate Grangemouth FK3 8XF United Kingdom	The production and supply of bituminous mixes.
Aggregate Industries UK Ltd Northfleet Asphalt Plant Robins Wharf Grove Road Northfleet Gravesend Kent DA11 9AX United Kingdom	The production and supply of bituminous mixes.
Aggregate Industries UK Ltd Botley Asphalt Plant Station Hill Curdridge Botley Hampshire SO30 2DN United Kingdom	The production and supply of bituminous mixes.
Aggregate Industries UK Ltd Hertford Express Asphalt Plant Water Hole Quarry Lower Hatfield Road Hertford Hertfordshire SG13 8LE United Kingdom	The production and supply of bituminous mixes.
Aggregate Industries UK Ltd Spadeoak Construction Town Lane Wooburn Green High Wycombe Buckinghamshire HP10 0PD United Kingdom	The supply and lay of asphalt and bitumen surfacing, sports surfacing and associated minor civil engineering works.

Original Registration Date: 2020-04-15

Latest Revision Date: 2024-04-29

Effective Date: 2024-05-07

Expiry Date: 2027-05-06

Page: 17 of 41

This certificate was issued electronically and remains the property of BSI and is bound by the conditions of contract.

An electronic certificate can be authenticated [online](#).

Printed copies can be validated at www.bsigroup.com/ClientDirectory

Information and Contact: BSI, Kitemark Court, Davy Avenue, Knowlhill, Milton Keynes MK5 8PP. Tel: + 44 345 080 9000
BSI Assurance UK Limited, registered in England under number 7805321 at 389 Chiswick High Road, London W4 4AL, UK.
A Member of the BSI Group of Companies.

Certificate No: OHS 61759

Location	Registered Activities
Aggregate Industries UK Ltd Huddersfield Express Asphalt Plant Red Doles Lane Huddersfield West Yorkshire HD2 1YF United Kingdom	The production and supply of bituminous mixes.
Aggregate Industries UK Ltd Inverness Asphalt Plant 24A Longman Drive Industrial Estate Inverness Highland IV1 1SU United Kingdom	The production and supply of bituminous mixes
Aggregate Industries UK Ltd T/A Wight Building Materials Concrete Products - St Georges Down St Georges Down Blackwater Newport Isle of Wight PO30 3BX United Kingdom	The production of concrete blocks
Aggregate Industries UK Ltd T/A Wight Building Materials St Georges Down Asphalt Plant St Georges Down Blackwater Newport Isle of Wight PO30 3BX United Kingdom	The production and supply of bituminous mixes.
Aggregate Industries UK Ltd T/A Wight Building Materials St Georges Down Readymix St. Georges Down Blackwater Newport Isle of Wight PO30 3BX United Kingdom	The production and supply of readymix concrete

Original Registration Date: 2020-04-15

Latest Revision Date: 2024-04-29

Effective Date: 2024-05-07

Expiry Date: 2027-05-06

Page: 18 of 41

This certificate was issued electronically and remains the property of BSI and is bound by the conditions of contract.

An electronic certificate can be authenticated [online](#).

Printed copies can be validated at www.bsigroup.com/ClientDirectory

Information and Contact: BSI, Kitemark Court, Davy Avenue, Knowlhill, Milton Keynes MK5 8PP. Tel: + 44 345 080 9000
BSI Assurance UK Limited, registered in England under number 7805321 at 389 Chiswick High Road, London W4 4AL, UK.
A Member of the BSI Group of Companies.

Certificate No: OHS 61759

Location	Registered Activities
Aggregate Industries UK Ltd T/A Wight Building Materials St Georges Down Quarry St Georges Down Blackwater Newport Isle of Wight PO30 3BX United Kingdom	The extraction, processing and supply of sand and gravel products
Aggregate Industries UK Ltd Isle of Grain Depot Rochester Kent ME3 0AG United Kingdom	The storage, processing and distribution of aggregates and rail ballast.
Aggregate Industries UK Ltd Ebbsfleet Readymix Castle Hill Depot Watling Street Bean, Dartford Kent DA2 8AH United Kingdom	The production and supply of readymix concrete.
Aggregate Industries UK Ltd Holme Park Readymix Burton Carnforth Cumbria LA6 1NZ LA6 1NZ United Kingdom	The production and supply of readymix concrete.
Aggregate Industries UK Ltd Duntilland Quarry Salsburgh Shotts Lanarkshire ML7 4NZ United Kingdom	The extraction, processing and supply of coarse and fine aggregates, blended aggregates, fills and sub-bases. The stocking and distribution of coarse and fine aggregates. The extraction, processing and supply of rock armour stone. The extraction, processing and the supply of high "Polished Stone Value" (PSV) aggregates

Original Registration Date: 2020-04-15

Latest Revision Date: 2024-04-29

Effective Date: 2024-05-07

Expiry Date: 2027-05-06

Page: 19 of 41

This certificate was issued electronically and remains the property of BSI and is bound by the conditions of contract.

An electronic certificate can be authenticated [online](#).

Printed copies can be validated at www.bsigroup.com/ClientDirectory

Information and Contact: BSI, Kitemark Court, Davy Avenue, Knowlhill, Milton Keynes MK5 8PP. Tel: + 44 345 080 9000
BSI Assurance UK Limited, registered in England under number 7805321 at 389 Chiswick High Road, London W4 4AL, UK.
A Member of the BSI Group of Companies.

Certificate No: OHS 61759

Location	Registered Activities
Aggregate Industries UK Ltd Duntilland Readymix Duntilland Quarry Salsburgh Shotts Lanarkshire ML7 4NZ United Kingdom	The production and supply of readymix concrete.
Aggregate Industries UK Ltd Back Lane Quarry Back Lane Carnforth Lancashire LA6 1EA United Kingdom	The extraction, processing and supply of coarse and fine aggregates, blended aggregates, fills and sub-bases. The processing and supply of agriculture lime. The extraction, processing and supply of rock armour stone.
Aggregate Industries UK Ltd Lancaster Readymix Unit C4a Europa Way Lune Industrial Estate Lancaster Lancashire LA1 5QP United Kingdom	The production and supply of readymix concrete.
Aggregate Industries UK Ltd Leeds Readymix 40A Knowsthorpe Lane Leeds West Yorkshire LS9 0PF United Kingdom	The production and supply of readymix concrete.
Aggregate Industries UK Ltd T/A Maxi Readymix - Croft Marions Way Coventry Road Croft Leicester Leicestershire LE9 3GP United Kingdom	The production and supply of readymix concrete.

Original Registration Date: 2020-04-15

Latest Revision Date: 2024-04-29

Effective Date: 2024-05-07

Expiry Date: 2027-05-06

Page: 20 of 41

This certificate was issued electronically and remains the property of BSI and is bound by the conditions of contract.

An electronic certificate can be authenticated [online](#).

Printed copies can be validated at www.bsigroup.com/ClientDirectory

Information and Contact: BSI, Kitemark Court, Davy Avenue, Knowlhill, Milton Keynes MK5 8PP. Tel: + 44 345 080 9000
BSI Assurance UK Limited, registered in England under number 7805321 at 389 Chiswick High Road, London W4 4AL, UK.
A Member of the BSI Group of Companies.

Certificate No: OHS 61759

Location	Registered Activities
Aggregate Industries UK Ltd Croft Concrete Products Marrions Way Coventry Road Croft Leicester Leicestershire LE9 3GP United Kingdom	The production and supply of pre-cast concrete building products for structural, civil engineering and domestic operations.
Aggregate Industries UK Ltd Bardon Hill Benninghoven Asphalt Plant Coalville Leicester LE67 1TL United Kingdom	The production and supply of bituminous mixes. The recycling of bitumen bound aggregates for use in bituminous mixes.
Aggregate Industries UK Ltd T/A Maxi Readymix - Whetstone Whetstone Readymix Enderby Road Industrial Estate Whetstone Leicester Leicestershire LE8 6HZ United Kingdom	The production and supply of readymix concrete.
Aggregate Industries UK Ltd Bardon Hill Head Office Bardon Hill Bardon Road Coalville Leicestershire Leicestershire LE67 1TL United Kingdom	The administration and management of the occupational health and safety management system.
Aggregate Industries UK Ltd Bardon Hill Quarry Bardon Hill Coalville Leicestershire LE67 1TL United Kingdom	The extraction, processing and supply of coarse and fine aggregates, blended aggregates, fills and sub-bases. The stocking and distribution of coarse and fine aggregates. The extraction, processing and supply of rock armour stone. The extraction, processing and the supply of high "Polished Stone Value" (PSV) aggregates

Original Registration Date: 2020-04-15

Latest Revision Date: 2024-04-29

Effective Date: 2024-05-07

Expiry Date: 2027-05-06

Page: 21 of 41

This certificate was issued electronically and remains the property of BSI and is bound by the conditions of contract.

An electronic certificate can be authenticated [online](#).

Printed copies can be validated at www.bsigroup.com/ClientDirectory

Certificate No: OHS 61759

Location	Registered Activities
Aggregate Industries UK Ltd Eastern Way Quarry Eastern Way Heath and Reach Leighton Buzzard Bedfordshire LU7 9LF United Kingdom	The sale, production and supply of silica sand for industrial and recreational use. Production and supply of asphalt sands. The supply of filter gravels. Supply of specialist filter media.
Aggregate Industries UK Ltd Leighton Buzzard Concrete Products Grovebury Road Grovebury Industrial Estate Leighton Buzzard Bedfordshire LU7 4RU United Kingdom	The production and supply of pre-cast concrete building products for structural, civil engineering and domestic operations.
Aggregate Industries UK Ltd Liverpool Asphalt Plant 4-7 Leckwith Road Netherton Bootle Liverpool Merseyside L30 6UF United Kingdom	The production and supply of bituminous mixes.
Aggregate Industries UK Ltd Liverpool Readymix Unit 11 Sefton Industrial Estate Maghull Liverpool Merseyside L31 8BX United Kingdom	The production and supply of readymix concrete.

Original Registration Date: 2020-04-15

Latest Revision Date: 2024-04-29

Effective Date: 2024-05-07

Expiry Date: 2027-05-06

Page: 22 of 41

This certificate was issued electronically and remains the property of BSI and is bound by the conditions of contract.

An electronic certificate can be authenticated [online](#).

Printed copies can be validated at www.bsigroup.com/ClientDirectory

Information and Contact: BSI, Kitemark Court, Davy Avenue, Knowlhill, Milton Keynes MK5 8PP. Tel: + 44 345 080 9000
BSI Assurance UK Limited, registered in England under number 7805321 at 389 Chiswick High Road, London W4 4AL, UK.
A Member of the BSI Group of Companies.

Certificate No: OHS 61759

Location	Registered Activities
Aggregate Industries UK Ltd Seaforth Docks Depot Yeoman Backhouse Seaforth Area B Seaforth Dock Liverpool Merseyside L21 1DJ United Kingdom	The mixing of aggregates and supply in bulk form.
Aggregate Industries UK Ltd Liverpool Seaforth Readymix Yeoman Backhouse Seaforth Area B Seaforth Dock Liverpool Merseyside L21 1JD United Kingdom	The production and supply of readymix concrete
Aggregate Industries UK Ltd Greenwich Asphalt Plant Angerstein Wharf Horn Link Way Greenwich London SE10 0RT United Kingdom	The production and supply of bituminous mixes.
Aggregate Industries UK Ltd Acton Depot Stone Terminal Horn Lane Acton London W3 9EH United Kingdom	The management of stock piles. The unloading of Aggregate trains.
Aggregate Industries UK Ltd Bow Depot Wick Lane Bow London E3 2TB United Kingdom	The import, storage and distribution of dry stone products.

Original Registration Date: 2020-04-15

Latest Revision Date: 2024-04-29

Effective Date: 2024-05-07

Expiry Date: 2027-05-06

Page: 23 of 41

This certificate was issued electronically and remains the property of BSI and is bound by the conditions of contract.
An electronic certificate can be authenticated [online](#).
Printed copies can be validated at www.bsigroup.com/ClientDirectory

Information and Contact: BSI, Kitemark Court, Davy Avenue, Knowlhill, Milton Keynes MK5 8PP. Tel: + 44 345 080 9000
BSI Assurance UK Limited, registered in England under number 7805321 at 389 Chiswick High Road, London W4 4AL, UK.
A Member of the BSI Group of Companies.

Certificate No: OHS 61759

Location	Registered Activities
Aggregate Industries UK Ltd London Concrete - Battersea Readymix 100 Silverthorne Road St Rule Street Battersea London SW8 3EG United Kingdom	The production and supply of readymix concrete
Aggregate Industries UK Ltd London Concrete - Greenwich Readymix Angerstein Wharf Horn Link Way Greenwich London SE10 0RT United Kingdom	The production and supply of readymix concrete
Aggregate Industries UK Ltd London Concrete - Hornsey Readymix Cranford Industry Estate Tottenham Lane Hornsey London N8 9DG United Kingdom	The production and supply of readymix concrete
Aggregate Industries UK Ltd London Concrete - Bow Readymix Bow Midland Depot Wick Lane London E3 2TB United Kingdom	The production and supply of readymix concrete.
Aggregate Industries UK Ltd London Concrete-Old Oak Common Readymix Old Oak Common Depot Old Oak Common Lane London NW10 6DZ United Kingdom	The production and supply of readymix concrete.

Original Registration Date: 2020-04-15

Latest Revision Date: 2024-04-29

Effective Date: 2024-05-07

Expiry Date: 2027-05-06

Page: 24 of 41

This certificate was issued electronically and remains the property of BSI and is bound by the conditions of contract.

An electronic certificate can be authenticated [online](#).

Printed copies can be validated at www.bsigroup.com/ClientDirectory

Certificate No: OHS 61759

Location	Registered Activities
Aggregate Industries UK Ltd Luton Express Asphalt Plant 30-31 Cosgrove Way Luton Bedfordshire LU1 1XL United Kingdom	The production and supply of bituminous mixes.
Aggregate Industries UK Ltd Salford Express Asphalt Plant Mode Wheel Road South Weaste Salford Manchester M50 1DG United Kingdom	The production and supply of bituminous mixes.
Aggregate Industries UK Ltd Stockport Express Asphalt Plant Cromwell Road Bredbury Stockport Manchester SK6 2RF United Kingdom	The production and supply of bituminous mixes.
Aggregate Industries UK Ltd Salford Readymix Mode Wheel Road South Weaste Salford Manchester M50 1DG United Kingdom	The production and supply of readymix concrete.
Aggregate Industries UK Ltd Manchester Readymix Former Arla Dairy Paston Road Sharston Industrial Area Manchester M22 4TF United Kingdom	The manufacture and supply of readymix concrete.

Original Registration Date: 2020-04-15

Latest Revision Date: 2024-04-29

Effective Date: 2024-05-07

Expiry Date: 2027-05-06

Page: 25 of 41

This certificate was issued electronically and remains the property of BSI and is bound by the conditions of contract.

An electronic certificate can be authenticated [online](#).

Printed copies can be validated at www.bsigroup.com/ClientDirectory

Certificate No: OHS 61759

Location	Registered Activities
Aggregate Industries UK Ltd Milton Keynes Readymix Chesney Wold Bleak Hall Milton Keynes Buckinghamshire MK6 1LN United Kingdom	The production and supply of readymix concrete.
Aggregate Industries UK Ltd Scotland Contracting Trilogy 3 21 Woodhall Eurocentral Motherwell Lanarkshire ML1 4YT United Kingdom	The supply and lay of asphalt and drystone materials to airfields, roads and other paved construction. The selection and management of subcontractors and suppliers (supply chain members). Highway surfacing, reinstatement and associated minor civil engineering works. The management, construction and design of civil engineering projects, structures and associated works. The laying of asphalt mixes.
Aggregate Industries UK Ltd Neath Express Asphalt Plant Neath Abbey Wharf Jenkins Road Neath West Glamorgan SA10 6BL United Kingdom	The production and supply of bituminous mixes.
Aggregate Industries UK Ltd Newark Express Asphalt Plant Quarry Farm Bowbridge Lane Hawton Newark Nottinghamshire NG24 3BZ United Kingdom	The production and supply of bituminous mixes.

Original Registration Date: 2020-04-15

Latest Revision Date: 2024-04-29

Effective Date: 2024-05-07

Expiry Date: 2027-05-06

Page: 26 of 41

This certificate was issued electronically and remains the property of BSI and is bound by the conditions of contract.

An electronic certificate can be authenticated [online](#).

Printed copies can be validated at www.bsigroup.com/ClientDirectory

Certificate No: OHS 61759

Location	Registered Activities
Aggregate Industries UK Ltd Stoke Readymix Parkhouse Road East Parkhouse Industrial Estate East Chesterton Newcastle on Lyme Staffordshire ST5 7RB United Kingdom	The production and supply of readymix concrete.
Aggregate Industries UK Ltd Melbur Asphalt Plant Melbur Block Works Summercourt Newquay Cornwall TR8 5UA United Kingdom	The production and supply of bituminous mixes.
Aggregate Industries UK Ltd Melbur Readymix Melbur Block Works Summercourt Newquay Cornwall TR8 5UA United Kingdom	The production and supply of readymix concrete
Aggregate Industries UK Ltd Stoneycombe Readymix Kingskerswell Newton Abbot Devon TQ12 5LL United Kingdom	The production and supply of readymix concrete
Aggregate Industries UK Ltd Coatbridge Readymix 3 Locks Street Coatbridge North Lanarkshire ML5 3RT United Kingdom	The production and supply of readymix concrete.

Original Registration Date: 2020-04-15

Latest Revision Date: 2024-04-29

Effective Date: 2024-05-07

Expiry Date: 2027-05-06

Page: 27 of 41

This certificate was issued electronically and remains the property of BSI and is bound by the conditions of contract.

An electronic certificate can be authenticated [online](#).

Printed copies can be validated at www.bsigroup.com/ClientDirectory

Information and Contact: BSI, Kitemark Court, Davy Avenue, Knowlhill, Milton Keynes MK5 8PP. Tel: + 44 345 080 9000
BSI Assurance UK Limited, registered in England under number 7805321 at 389 Chiswick High Road, London W4 4AL, UK.
A Member of the BSI Group of Companies.

Certificate No: OHS 61759

Location	Registered Activities
Aggregate Industries UK Ltd Ashington Readymix Brock Lane West Sleekburn Bedlington Northumberland NE22 7BY United Kingdom	The production and supply of readymix concrete.
Aggregate Industries UK Ltd Cheshire Asphalt Plant Wincham Avenue Wincham Northwich Cheshire CW9 6GB United Kingdom	The production and supply of bituminous mixes.
Aggregate Industries UK Ltd T/A Maxi Readymix - Nottingham New Lane Private Road 4 Colwick Industrial Estate Nottingham Nottinghamshire NG4 2JT United Kingdom	The production and supply of readymix concrete.
Aggregate Industries UK Ltd T/A Maxi Readymix - Mansfield Ratcher Hill Quarry Southwell Road West Mansfield Nottinghamshire NG21 0HJ United Kingdom	The production and supply of readymix concrete.
Aggregate Industries UK Ltd Glensanda Quarry Rhugh Garbh Depot Barcaldine Oban Argyll PA34 5BN United Kingdom	The extraction, processing and supply of coarse and fine aggregates, blended aggregates, fills and sub-bases. The stocking and distribution of coarse and fine aggregates. The extraction, processing and supply of rock armour stone. The extraction, processing and the supply of high "Polished Stone Value" (PSV) aggregates

Original Registration Date: 2020-04-15

Latest Revision Date: 2024-04-29

Effective Date: 2024-05-07

Expiry Date: 2027-05-06

Page: 28 of 41

This certificate was issued electronically and remains the property of BSI and is bound by the conditions of contract.

An electronic certificate can be authenticated [online](#).

Printed copies can be validated at www.bsigroup.com/ClientDirectory

Certificate No: OHS 61759

Location	Registered Activities
Aggregate Industries UK Ltd Bicester Readymix Telford Road Bicester Oxfordshire OX26 4LD United Kingdom	The production and supply of readymix concrete.
Aggregate Industries UK Ltd Penzance Readymix Castle-an-Dinas Quarry Gulval Penzance Cornwall TR20 8AG United Kingdom	The production and supply of readymix concrete.
Aggregate Industries UK Ltd Pode Hole Quarry The Causeway Thorney Peterborough Cambridgeshire PE6 0QH United Kingdom	The extraction, processing and supply of sand and gravel products.
Aggregate Industries UK Ltd Peterborough Asphalt Plant Oxney Road Industrial Estate Oxney Road Peterborough Cambridgeshire PE1 5YW United Kingdom	The production and supply of bituminous mixes.
Aggregate Industries UK Ltd Peterborough Readymix The Causeway Thorney Peterborough Cambridgeshire PE6 8QH United Kingdom	The production and supply of readymix concrete.

Original Registration Date: 2020-04-15

Latest Revision Date: 2024-04-29

Effective Date: 2024-05-07

Expiry Date: 2027-05-06

Page: 29 of 41

This certificate was issued electronically and remains the property of BSI and is bound by the conditions of contract.

An electronic certificate can be authenticated [online](#).

Printed copies can be validated at www.bsigroup.com/ClientDirectory

Certificate No: OHS 61759

Location	Registered Activities
Aggregate Industries UK Ltd Greystone Quarry Launceston Cornwall PL15 9PF PL15 9PF United Kingdom	The extraction, processing and supply of coarse and fine aggregates, blended aggregates, fills and sub-bases. The importation and processing of materials for the production of recycled aggregates.
Aggregate Industries UK Ltd Moorcroft Asphalt Plant Billacombe Plymouth Devon PL9 8AJ United Kingdom	The production and supply of bituminous mixes
Aggregate Industries UK Ltd Moorcroft Building Products Masterblock Billacombe Plymouth Devon PL9 8AJ United Kingdom	The production and supply of pre-cast blocks.
Aggregate Industries UK Ltd Plymouth Readymix Billacombe Plymouth Devon PL9 8AJ United Kingdom	The production and supply of readymix concrete
Aggregate Industries UK Ltd Kendall Bros Portsmouth Portsmouth Readymix Kendalls Wharf Eastern Road Portsmouth Hampshire PO3 5LY United Kingdom	The production and supply of readymix concrete.

Original Registration Date: 2020-04-15

Latest Revision Date: 2024-04-29

Effective Date: 2024-05-07

Expiry Date: 2027-05-06

Page: 30 of 41

This certificate was issued electronically and remains the property of BSI and is bound by the conditions of contract.
An electronic certificate can be authenticated [online](#).
Printed copies can be validated at www.bsigroup.com/ClientDirectory

Information and Contact: BSI, Kitemark Court, Davy Avenue, Knowlhill, Milton Keynes MK5 8PP. Tel: + 44 345 080 9000
BSI Assurance UK Limited, registered in England under number 7805321 at 389 Chiswick High Road, London W4 4AL, UK.
A Member of the BSI Group of Companies.

Certificate No: OHS 61759

Location	Registered Activities
Aggregate Industries UK Ltd Kendall Bros Portsmouth Portsmouth Aggregate Kendalls Wharf Eastern Road Portsmouth Hampshire PO3 5LY United Kingdom	The distribution of Aggregates.
Aggregate Industries UK Ltd Preston Readymix Rough Hey Road Grimsargh Preston Lancashire PR2 5AR United Kingdom	The production and supply of readymix concrete
Aggregate Industries UK Ltd Purfleet Asphalt Plant Jurgens Road Off London Road Purfleet Essex RM19 1UA United Kingdom	The production and supply of bituminous mixes. The recycling of bitumen bound aggregates for use in bituminous mixes.
Aggregate Industries UK Ltd Ratho Readymix Hillwood Quarry Newbridge Ratho Lothian EH28 8LU United Kingdom	The production and supply of readymix concrete.
Aggregate Industries UK Ltd Redditch Express Asphalt Plant Unit 60 Lakeside Industrial Estate Arthur Street Redditch Worcestershire B98 8JY United Kingdom	The production and supply of bituminous mixes.

Original Registration Date: 2020-04-15

Latest Revision Date: 2024-04-29

Effective Date: 2024-05-07

Expiry Date: 2027-05-06

Page: 31 of 41

This certificate was issued electronically and remains the property of BSI and is bound by the conditions of contract.

An electronic certificate can be authenticated [online](#).

Printed copies can be validated at www.bsigroup.com/ClientDirectory

Information and Contact: BSI, Kitemark Court, Davy Avenue, Knowlhill, Milton Keynes MK5 8PP. Tel: + 44 345 080 9000
BSI Assurance UK Limited, registered in England under number 7805321 at 389 Chiswick High Road, London W4 4AL, UK.
A Member of the BSI Group of Companies.

Certificate No: OHS 61759

Location	Registered Activities
Aggregate Industries UK Ltd Redditch Readymix Edgioake Lane Astwood Bank Redditch Worcestershire B96 6BG United Kingdom	The production and supply of readymix concrete.
Aggregate Industries UK Ltd Merstham Contracting Nutfield Road Merstham Redhill Surrey RH1 3ES United Kingdom	The supply and lay of asphalt and drystone materials to airfields, roads and other paved construction including diamond drilling, sawing and coring. The selection and management of subcontractors and suppliers (supply chain members). The management, construction and design of civil engineering projects, structures and associated works. Highway surfacing, reinstatement and associated minor civil engineering works. The laying of asphalt mixes.
Aggregate Industries UK Ltd Redruth Readymix Highburrow Lane Pool Industrial Estate Redruth Cornwall TR15 3RN United Kingdom	The production and supply of readymix concrete
Aggregate Industries UK Ltd Sandbach Readymix Springvale Industrial Estate Moston Road Sandbach Cheshire CW11 3HT United Kingdom	The Production & Supply of Readymix concrete
Aggregate Industries UK Ltd Tinsley Readymix Unit 3 SIRFT Europa Link Tinsley Sheffield South Yorkshire S4 7WT United Kingdom	The production and supply of readymix concrete.

Original Registration Date: 2020-04-15

Latest Revision Date: 2024-04-29

Effective Date: 2024-05-07

Expiry Date: 2027-05-06

Page: 32 of 41

This certificate was issued electronically and remains the property of BSI and is bound by the conditions of contract.

An electronic certificate can be authenticated [online](#).

Printed copies can be validated at www.bsigroup.com/ClientDirectory

Certificate No: OHS 61759

Location	Registered Activities
Aggregate Industries UK Ltd Sheffield Asphalt Plant Unit 3 SIRFT Europa Link Tinsley Sheffield South Yorkshire S9 1TQ United Kingdom	The production and supply of bituminous mixtures and coated chippings. The recycling of bitumen bound aggregates for use in bituminous mixes.
Aggregate Industries UK Ltd Torr Works Concrete Products East Cranmore Shepton Mallet Somerset BA4 4SQ United Kingdom	The production and supply of pre-cast blocks.
Aggregate Industries UK Ltd Kendall Bros Portsmouth Shoreham Wharf New Wharf Shoreham-By-Sea West Sussex BN43 6RE United Kingdom	The distribution of Aggregates.
Aggregate Industries UK Ltd Kendall Bros Portsmouth Shoreham Readymix New Wharf Shoreham-By-Sea West Sussex BN43 6RE United Kingdom	The production and supply of readymix concrete.
Aggregate Industries UK Ltd Duntilland Asphalt Plant Salsburgh Shotts Lancashire ML7 4NZ United Kingdom	The production and supply of bituminous mixes.

Original Registration Date: 2020-04-15

Latest Revision Date: 2024-04-29

Effective Date: 2024-05-07

Expiry Date: 2027-05-06

Page: 33 of 41

This certificate was issued electronically and remains the property of BSI and is bound by the conditions of contract.

An electronic certificate can be authenticated [online](#).

Printed copies can be validated at www.bsigroup.com/ClientDirectory

Certificate No: OHS 61759

Location	Registered Activities
RFS Works Limited Coton Hill Opposite Wood Street Shrewsbury SY1 2PR United Kingdom	The management of rail unloading operations.
Aggregate Industries UK Ltd Haughmond Hill Quarry Uffington Shrewsbury Shropshire SY4 4RP United Kingdom	The extraction, processing and supply of coarse and fine aggregates, blended aggregates, fills and sub-bases. The stocking and distribution of coarse and fine aggregates. The extraction, processing and supply of rock armour stone. The extraction, processing and the supply of high "Polished Stone Value" (PSV) aggregates
Aggregate Industries UK Ltd Halton East Asphalt Plant Harrogate Road Skipton North Yorkshire BD23 6AD United Kingdom	The production and supply of bituminous mixes.
Aggregate Industries UK Ltd London Concrete - Heathrow Readymix Colnbrook Depot Colnbrook By-Pass Colnbrook Slough Berkshire SL3 0EB United Kingdom	The production and supply of readymix concrete
Aggregate Industries UK Ltd Heathrow Asphalt Plant Colnbrook Depot Colnbrook By-pass Colnbrook Slough Berkshire SL3 0EB United Kingdom	The production and supply of bituminous mixtures and coated chippings. The recycling of bitumen bound aggregates into asphalt mixes. The import, storage and distribution of dry stone products.

Original Registration Date: 2020-04-15

Latest Revision Date: 2024-04-29

Effective Date: 2024-05-07

Expiry Date: 2027-05-06

Page: 34 of 41

This certificate was issued electronically and remains the property of BSI and is bound by the conditions of contract.

An electronic certificate can be authenticated [online](#).

Printed copies can be validated at www.bsigroup.com/ClientDirectory

Certificate No: OHS 61759

Location	Registered Activities
Aggregate Industries UK Ltd Callow Rock Quarry Shipham Gorge Cheddar Somerset BS27 3DQ United Kingdom	The extraction, processing and supply of coarse and fine aggregates, blended aggregates, fills and sub-bases. The stocking and distribution of coarse and fine aggregates. The extraction, processing and supply of rock armour stone.
Aggregate Industries UK Ltd Torr Quarry East Cranmore Shepton Mallet Somerset BA4 4RA United Kingdom	The extraction, processing and supply of coarse and fine aggregates, blended aggregates, fills and sub-bases. The stocking and distribution of coarse and fine aggregates. The extraction, processing and supply of rock armour stone. Production and supply of rail ballast.
Aggregate Industries UK Ltd Kendall Bros Portsmouth Southampton Readymix Hazel Road Woolston Southampton Hampshire SO19 7GB United Kingdom	The production and supply of readymix concrete
Aggregate Industries UK Ltd Derby Express Asphalt Plant Celanese Road Spondon Derbyshire DE21 7BN United Kingdom	The production and supply of bituminous mixes.
Aggregate Industries UK Ltd Bristol Express Asphalt Plant Avon Gate Albert Road St Phillips Bristol BS2 0XQ United Kingdom	The production and supply of bituminous mixes.

Original Registration Date: 2020-04-15

Latest Revision Date: 2024-04-29

Effective Date: 2024-05-07

Expiry Date: 2027-05-06

Page: 35 of 41

This certificate was issued electronically and remains the property of BSI and is bound by the conditions of contract.

An electronic certificate can be authenticated [online](#).

Printed copies can be validated at www.bsigroup.com/ClientDirectory

Certificate No: OHS 61759

Location	Registered Activities
Aggregate Industries UK Ltd Uttoxeter Quarry A50 Bypass Uttoxeter Staffordshire ST14 5AP United Kingdom	The extraction processing, and supply of coarse and fine aggregates, blended aggregates, fills, sub-bases.
Aggregate Industries UK Ltd Barton Readymix Lichfield Road Barton under Needwood Burton-on-Trent Staffordshire DE13 8EG United Kingdom	The production and supply of readymix concrete.
Aggregate Industries UK Ltd Caldon Low Quarry Yelsway Lane Waterhouses Staffordshire ST10 3EQ United Kingdom	The extraction, processing and supply of coarse and fine aggregates
Aggregate Industries UK Ltd Stalybridge Readymix Peel Street Bridge Street Stalybridge SK15 1PF United Kingdom	The production and supply of readymix concrete.
Lafarge Caudon Ltd Caudon Cement Plant Caudon Works Yelsway Lane Waterhouses Stoke on Trent Staffordshire ST10 3EQ United Kingdom	The development, testing, manufacture and storage of cement and cementitious products including quarrying, blending and road loading operations. The sourcing, processing, analysis and provision of waste derived fuels and materials. The sourcing of pulverised fuel ash to European Standards and blending with cementitious products to customer agreed specifications.

Original Registration Date: 2020-04-15

Latest Revision Date: 2024-04-29

Effective Date: 2024-05-07

Expiry Date: 2027-05-06

Page: 36 of 41

This certificate was issued electronically and remains the property of BSI and is bound by the conditions of contract.

An electronic certificate can be authenticated [online](#).

Printed copies can be validated at www.bsigroup.com/ClientDirectory

Information and Contact: BSI, Kitemark Court, Davy Avenue, Knowlhill, Milton Keynes MK5 8PP. Tel: + 44 345 080 9000
BSI Assurance UK Limited, registered in England under number 7805321 at 389 Chiswick High Road, London W4 4AL, UK.
A Member of the BSI Group of Companies.

Certificate No: OHS 61759

Location	Registered Activities
Aggregate Industries UK Ltd Geocycle UK Earls Building Cauldon Works Yelsway Lane Stoke On Trent Staffordshire ST10 3EQ United Kingdom	The sourcing, processing, analysis and provision of waste derived fuels and materials.
Aggregate Industries UK Ltd Stoke Express Asphalt Plant City Road Fenton Stoke-on-Trent Staffordshire ST4 1DT United Kingdom	The production and supply of bituminous mixes.
Aggregate Industries UK Ltd Blantyre Express Asphalt Whistleberry Industrial Estate Craighead Blantyre Strathclyde G72 0TH United Kingdom	The production and supply of bituminous mixes.
Aggregate Industries UK Ltd London Concrete - Tolworth Readymix Kingston Road Surbiton Surrey KT5 9NU United Kingdom	The production and supply of readymix concrete.
Aggregate Industries UK Ltd Kingsbury Readymix Gate N22 G13 BBV Kingsbury Compound Marston Lane Sutton Coldfield B76 0DG United Kingdom	The production and supply of readymix concrete.

Original Registration Date: 2020-04-15

Latest Revision Date: 2024-04-29

Effective Date: 2024-05-07

Expiry Date: 2027-05-06

Page: 37 of 41

This certificate was issued electronically and remains the property of BSI and is bound by the conditions of contract.

An electronic certificate can be authenticated [online](#).

Printed copies can be validated at www.bsigroup.com/ClientDirectory

Information and Contact: BSI, Kitemark Court, Davy Avenue, Knowlhill, Milton Keynes MK5 8PP. Tel: + 44 345 080 9000
BSI Assurance UK Limited, registered in England under number 7805321 at 389 Chiswick High Road, London W4 4AL, UK.
A Member of the BSI Group of Companies.

Certificate No: OHS 61759

Location	Registered Activities
Aggregate Industries UK Ltd North End Farm Concrete Products Ashton Keynes Swindon Wiltshire SN6 6QX United Kingdom	The production and supply of pre-cast concrete building products for structural, civil engineering and domestic operations. The supply of bagged aggregates. The provision of a sales office activity.
Aggregate Industries UK Ltd London Gateway Readymix Berth 7 DP World London Gateway Port Thurrock Essex SS17 9DY United Kingdom	The production and supply of readymix concrete
Aggregate Industries UK Ltd London Gateway Depot Berth 7 DP World London Gateway Port Thurrock Essex SS17 9PA United Kingdom	The import, storage and distribution of dry stone products.
Aggregate Industries UK Ltd Westleigh Asphalt Plant Burlacombe Tiverton Devon EX16 7JB United Kingdom	The production and supply of bituminous mixes.
Aggregate Industries UK Ltd Gateshead Readymix Nest Road Felling Gateshead Tyne and Wear NE10 0ES United Kingdom	The production and supply of readymix concrete.

Original Registration Date: 2020-04-15

Latest Revision Date: 2024-04-29

Effective Date: 2024-05-07

Expiry Date: 2027-05-06

Page: 38 of 41

This certificate was issued electronically and remains the property of BSI and is bound by the conditions of contract.

An electronic certificate can be authenticated [online](#).

Printed copies can be validated at www.bsigroup.com/ClientDirectory

Certificate No: OHS 61759

Location	Registered Activities
Aggregate Industries UK Ltd London Concrete - Denham Readymix Summerleeze Quarry Denham Road Denham Uxbridge Buckinghamshire UB9 4EH United Kingdom	The production and supply of readymix concrete
Aggregate Industries UK Ltd Coventry Express Asphalt Plant Doyle Drive Coventry Warwickshire CV6 6NW United Kingdom	The production and supply of bituminous mixes.
Aggregate Industries UK Ltd Coleshill Readymix Gorse Lane Coleshill Warwickshire B46 1JU United Kingdom	The production and supply of readymix concrete.
Aggregate Industries UK Ltd London Concrete - Watford Readymix Orphanage Road Sidings Off Reeds Crescent Watford Hertfordshire WD24 4QZ United Kingdom	The production and supply of readymix concrete
Aggregate Industries UK Ltd Levenseat Quarry Fauldhouse Bathgate West Lothain EH47 9AD United Kingdom	The extraction, processing and supply of coarse and fine aggregates, blended aggregates, fills, sub-bases.

Original Registration Date: 2020-04-15

Latest Revision Date: 2024-04-29

Effective Date: 2024-05-07

Expiry Date: 2027-05-06

Page: 39 of 41

This certificate was issued electronically and remains the property of BSI and is bound by the conditions of contract.

An electronic certificate can be authenticated [online](#).

Printed copies can be validated at www.bsigroup.com/ClientDirectory

Information and Contact: BSI, Kitemark Court, Davy Avenue, Knowlhill, Milton Keynes MK5 8PP. Tel: + 44 345 080 9000
BSI Assurance UK Limited, registered in England under number 7805321 at 389 Chiswick High Road, London W4 4AL, UK.
A Member of the BSI Group of Companies.

Certificate No: OHS 61759

Location	Registered Activities
Aggregate Industries UK Ltd Bordesley Green Readymix 253 Bordesley Green Road Bordesley Green Birmingham West Midlands B8 1BY United Kingdom	The production and supply of readymix concrete.
Aggregate Industries UK Ltd Wickford Readymix Wickford Business Park Robert Way Wickford Essex SS11 8BH United Kingdom	The production and supply of readymix concrete.
Aggregate Industries UK Ltd Wigan Readymix Units 73L & 76 Bradley Hall Trading Estate Bradley Lane Standish Wigan Greater Manchester WN6 0XQ United Kingdom	The production and supply of readymix concrete
Aggregate Industries UK Ltd Wigan Contracting Ground Floor Brunswick House Hindley Green Business Park Wigan WN2 4TN United Kingdom	The supply and lay of bituminous and drystone materials to airfields, roads and other paved construction. Highway surfacing, reinstatement and associated minor civil engineering works. The selection and management of subcontractors and suppliers (supply chain members). The management, construction and design of civil engineering projects, structures and associated works. The laying of bituminous mixes.
Aggregate Industries UK Ltd Astley Asphalt Plant Kennedy Road Astley Tyldesley Wigan, Manchester M29 7JS United Kingdom	The production and supply of bituminous mixes

Original Registration Date: 2020-04-15

Latest Revision Date: 2024-04-29

Effective Date: 2024-05-07

Expiry Date: 2027-05-06

Page: 40 of 41

This certificate was issued electronically and remains the property of BSI and is bound by the conditions of contract.

An electronic certificate can be authenticated [online](#).

Printed copies can be validated at www.bsigroup.com/ClientDirectory

Information and Contact: BSI, Kitemark Court, Davy Avenue, Knowlhill, Milton Keynes MK5 8PP. Tel: + 44 345 080 9000
BSI Assurance UK Limited, registered in England under number 7805321 at 389 Chiswick High Road, London W4 4AL, UK.
A Member of the BSI Group of Companies.

Certificate No: OHS 61759

Location	Registered Activities
Aggregate Industries UK Ltd Wolverhampton Readymix Manfield Road Strawberry Lane Willenhall WV13 3RX United Kingdom	The production and supply of readymix concrete
Aggregate Industries UK Ltd Ellesmere Cementitious New Extension Quay North Wall Ellesmere Port Docks Wirral Cheshire CH65 2IF United Kingdom	The import, storage and despatch of cementitious materials.
Aggregate Industries UK Ltd Woodhall Spa Quarry Tattershall Road Kirkby on Bain Woodhall Spa Lincolnshire LN10 6YN United Kingdom	The control and operation of quarry activities, the storage, processing and distribution of dry stone products.

Original Registration Date: 2020-04-15

Latest Revision Date: 2024-04-29

Effective Date: 2024-05-07

Expiry Date: 2027-05-06

Page: 41 of 41

This certificate was issued electronically and remains the property of BSI and is bound by the conditions of contract.

An electronic certificate can be authenticated [online](#).

Printed copies can be validated at www.bsigroup.com/ClientDirectory

Information and Contact: BSI, Kitemark Court, Davy Avenue, Knowlhill, Milton Keynes MK5 8PP. Tel: + 44 345 080 9000
BSI Assurance UK Limited, registered in England under number 7805321 at 389 Chiswick High Road, London W4 4AL, UK.
A Member of the BSI Group of Companies.



APPENDIX SS5
Technically Competent
Manager's WAMITAB
Qualifications



Qualification Title:

**WAMITAB Level 4 Medium Risk Operator Competence for
Closed Inert Landfill**

Qualification Accreditation Number:

601/8516/8

This Certificate is awarded to

Carmella Barbour

Verification date: 09/11/2021

Authorised:

A handwritten signature in black ink, appearing to read "Katie Cockburn".

Katie Cockburn
Director of Qualifications and Standards

Learner ID: 25567

Certificate No.: 5188245

Date of Issue: 12/11/2021



The qualifications regulators logos on this certificate indicate that the qualification is accredited only for England, Wales and Northern Ireland. Qualifications Wales regulates this qualification where it is awarded to learners assessed wholly or mainly in Wales.



00130500



CIWM

Continuing Competence Certificate

This certificate confirms that

Carmella Barbour

Has met the relevant requirements of the Continuing Competence scheme for the following award(s) which will remain current for two years from 26/06/2023

TMNH	Treatment - Non Hazardous Waste
TSNH	Transfer - Non Hazardous Waste
LC	Landfill - Closed

Expiry Date:
26/06/2025

Verification date: 22/06/2023

Authorised:

Professional Services Director

Learner ID: 25567

Certificate No.: 5228585

Date of Issue: 26/06/2023

CIWM Chief Executive Officer



The Chartered Institution
of Wastes Management



Scan code on reverse to authenticate that this is a genuine paper



Credit certificate

This certificate determines credit awarded to:
Carmella Louise Barbour

Units gained:

Unit Code	Description	Credit Value	Credit Level
Y6015875	Monitor procedures to safely control work operations	4	3
M6009712	Manage the environmental impact of work activities	5	4
R6021609	Manage the reception of non hazardous waste	7	4
A6021670	Manage the movement, sorting and storage of waste	7	3
F6021671	Manage site operations for the treatment of non hazardous waste	14	4
L6021429	Manage the transfer of outputs and disposal of residues from non hazardous waste treatment and recovery operations	13	4

Credit Value Credit Level

Awarded: 02/10/2014

Serial No.: 25567/HSS3/1

Authorised

Ray Burberry
Qualifications Manager, WAMITAB

Regulated by



For more information see <http://register.ofqual.gov.uk>



Llywodraeth Cymru
Welsh Government

The qualifications regulators logos on this certificate indicate that the qualification is accredited only for England, Wales and Northern Ireland.



00062941