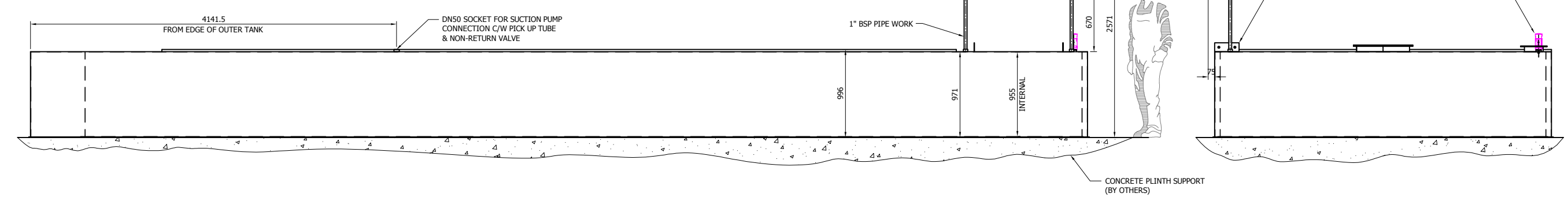
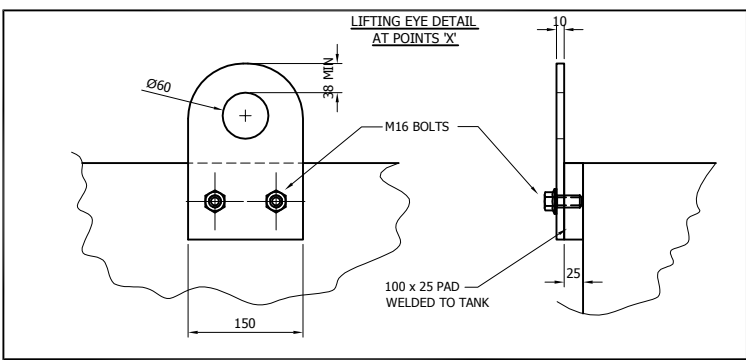
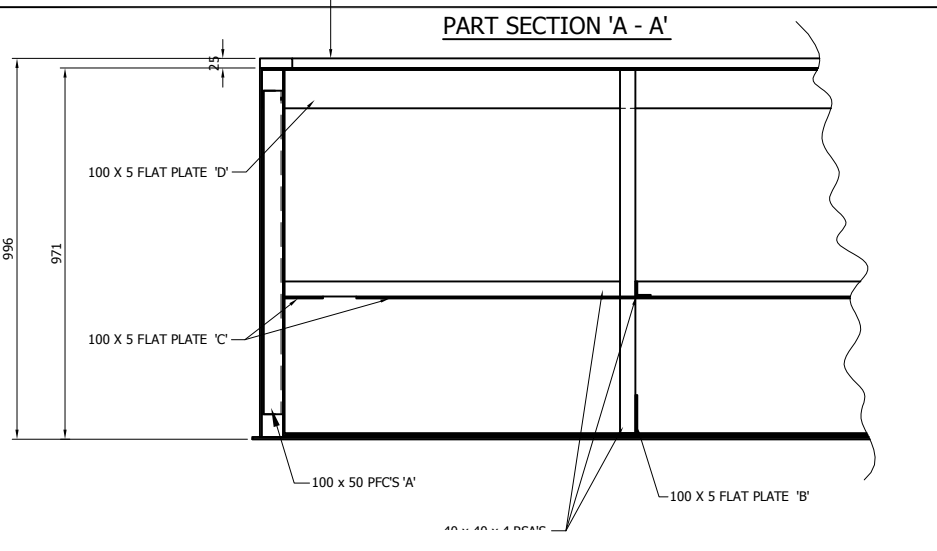


- A = DN40 SOCKET FOR TANK BUND LEAK SWITCH
 - B = DN50 SOCKET FOR TANK FILL C/W OVERFILL PREVENTION VALVE
 - C = DN40 SOCKET FOR OVERFILL ALARM & LOW LEVEL ALARM
 - D = DN25 SOCKET FOR HYDROSTATIC CONTENTS GAUGE
 - E = DN25 SOCKET FOR FOZMULA CONTENTS PROBE
 - F = DN25 SOCKETS (SPARE)
 - G = DN50 SOCKET FOR SUCTION DRAIN & DIP TUBE
 - H = 200mm SQUARE INSPECTION HATCH
 - J = 40# BOSS WITH M12 TAPPED HOLE FOR EARTH CONNECTION
- 10mm THICK ACCESS HATCH LID IS SEALED WITH A NITRILE CORK GASKET, & BOLTED TO TANK WITH M16 NUTS & BOLTS
- MATERIAL:** 6mm THK M.S. BASE PLATE TO BS 799 TYPE J.
REST OF TANK 5mm THK M.S. PLATE TO BS 799 TYPE J.
- FINISH:** MECHANICALLY CLEANED.
EXTERIA OF TANK TO BE PAINTED
ONE COAT PRIMER & ONE FINISH COAT
- WEIGHTS:** DRY = 10,000 Kgs
WET = 43,000Kgs
- COLOUR:** RAL 7037
- CAPACITY:** 33000 Ltrs USABLE
39600 Ltrs BRIMFULL



AS BUILT

Rev: 01/24/09/12	AS BUILT ISSUE	A.D.
Iss. Date	Change	By
3rd Angle Projection Do Not Scale.		
All Dimensions in MM Unless Otherwise Stated.		
Power Systems House, Malvern Road, Maidenhead, Berkshire, SL6 7RE. Tel: 01628 503900 Fax: 01628 503999		
Customer:		
Site: INFINITY FOX WEST		
Title: 33000Ltr USABLE BASE FUEL TANK		
Drawn: A.D.	Date: 12/03/12	Scale: 1:25 & 1:10
Checked:	Date:	Sheet Size: A1
Drawing No.: 7040-DR-00006	Rev: R01	