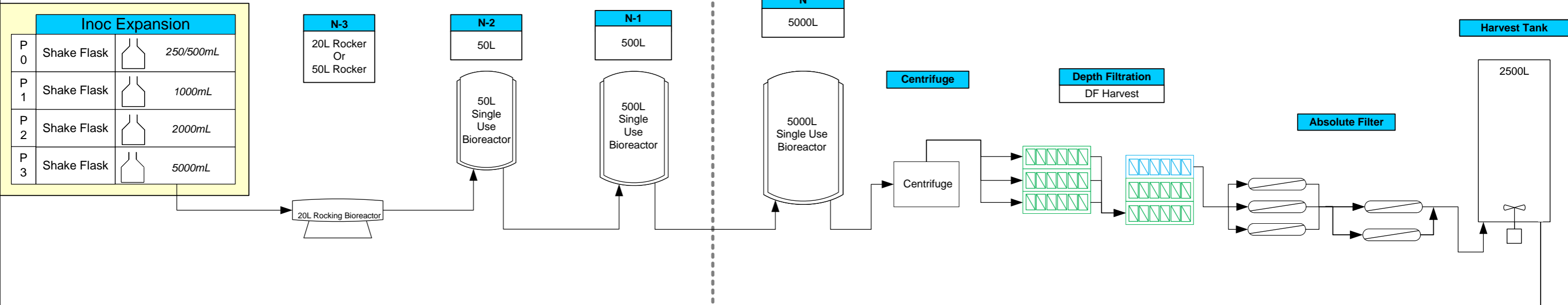


Cell Expansion

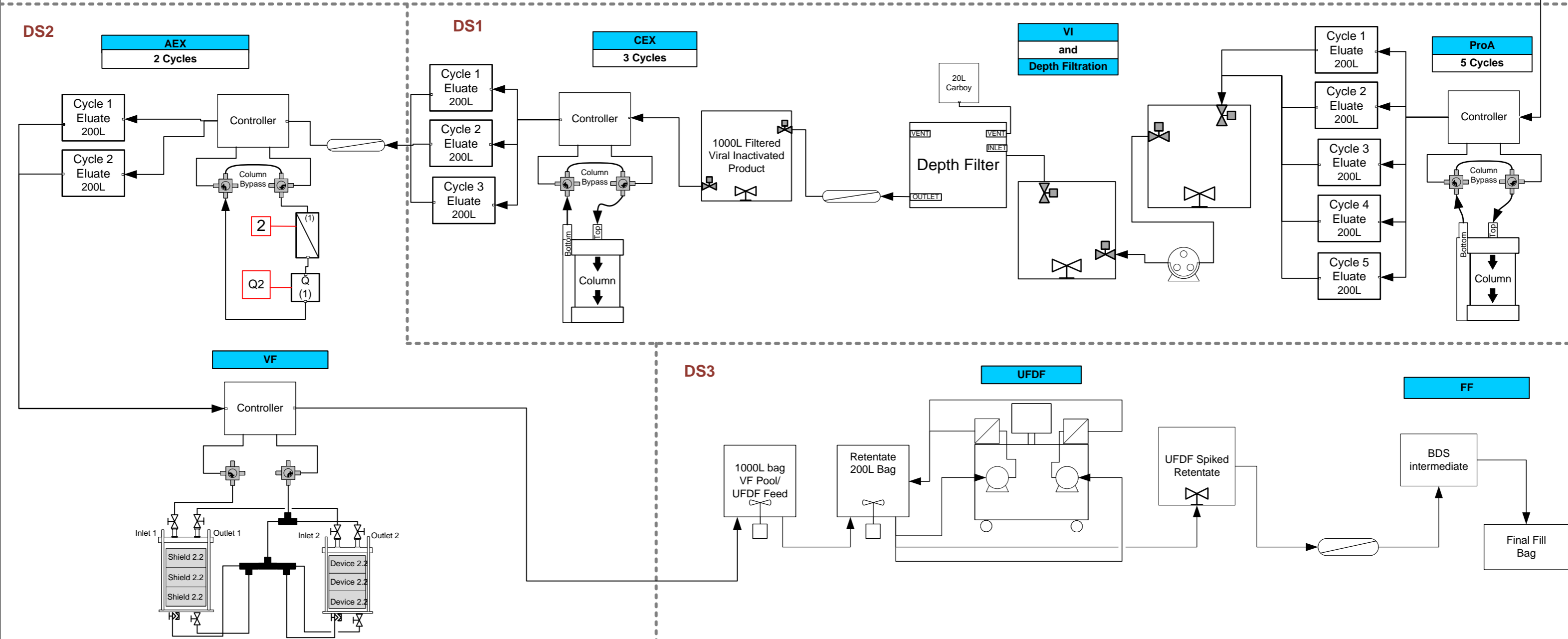
Production Bioreactor



DS2

DS1

DS3



Date:	Revision:	Date:	Revision:	PFD	
				Plant/Stream	
				Project Title	
				Project No:	
				Process Engineer:	

Process Flow