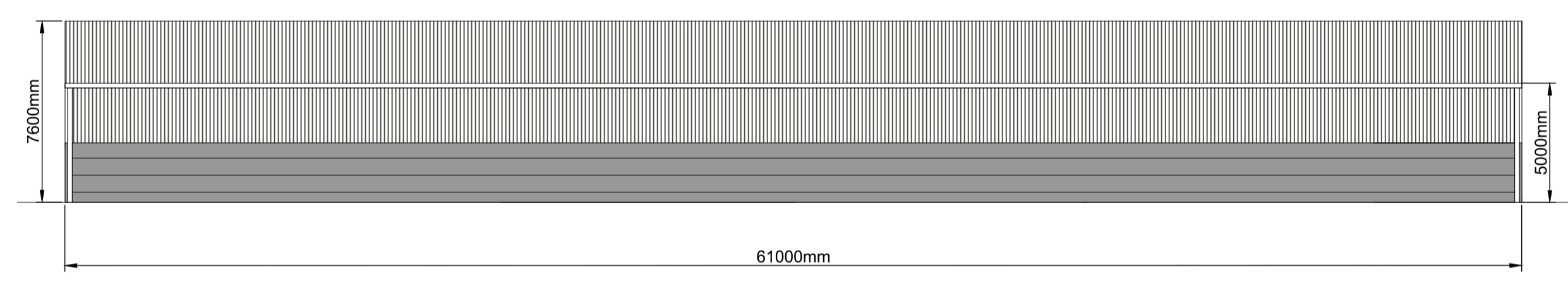
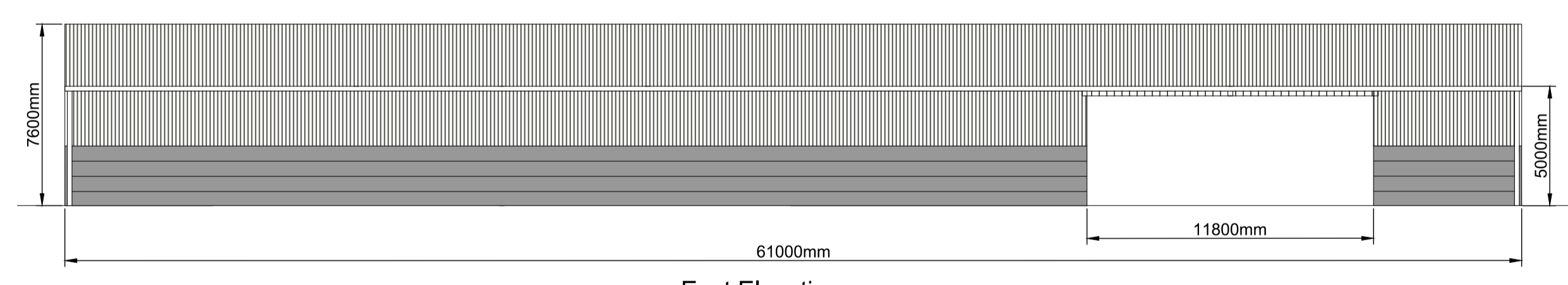


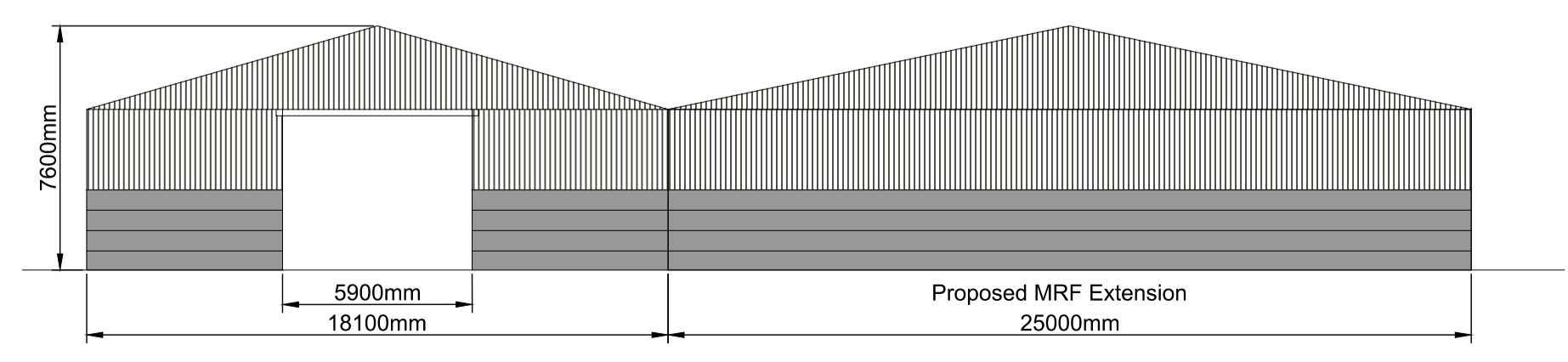
**Floor Plan Layout**  
Scale 1:200



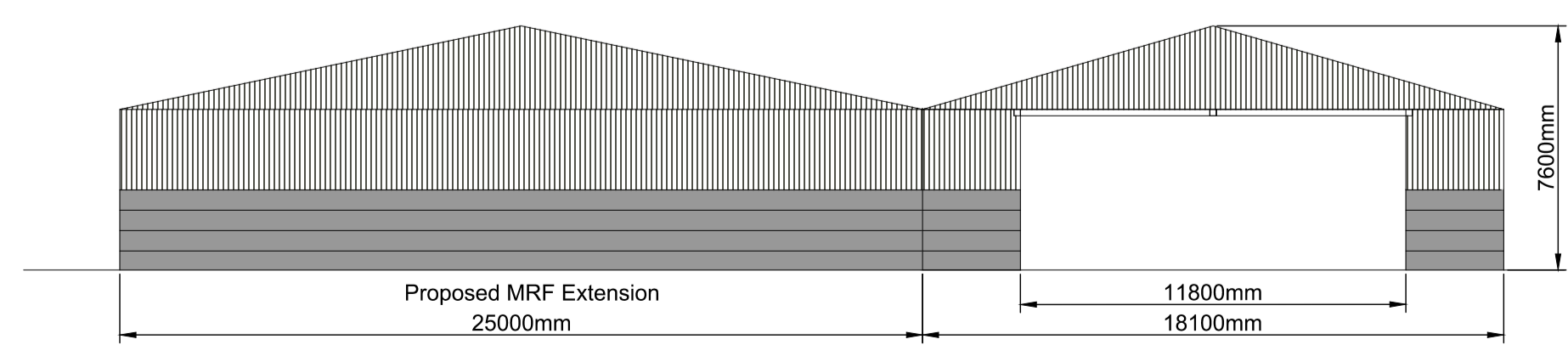
**West Elevation**  
Scale 1:200



**East Elevation**  
Scale 1:200



**North Elevation**  
Scale 1:200



**South Elevation**  
Scale 1:200

- Notes
1. Survey information provided by Valencia Waste Management Ltd.
  2. All dimensions in millimetres.
  3. Do not scale from this drawing.
  4. Any anomalies on this drawing should be brought to the attention of Egniol Consulting Ltd.

Rev	Modification	By	Chk	App	Date
B	Issued as Final	LE	GR	GR	10.04.24
A	Revised Building Layout	LE	GR	GR	03.04.24



Egniol Consulting Limited  
Unit 7, Llys Onnen, Ffordd y Llyn  
Parc Menai, Bangor,  
LL57 4DF  
Telephone: 01248 355996  
Email: info@egniol.com

**Valencia Waste Management Ltd**

**Heathfield Landfill Site  
MRF Extension**

**Proposed Building Elevations**

Drawn by	Checked by	Approved by
LE	GOJR	GOJR
Date 09.02.2024	Date 09.02.2024	Date 09.02.2024
Status <b>Final</b>	Scale @ A1 AS SHOWN	

Drawing Number	Revision
<b>ECL.9983.D01.005</b>	<b>B</b>

© EGNIO CONSULTING LIMITED  
CAD File Ref: P:\9983 Heathfield MRF Extension\CAD & BIM\Drawings\Current Working Drawings\ECL.9983.D01.005.dwg