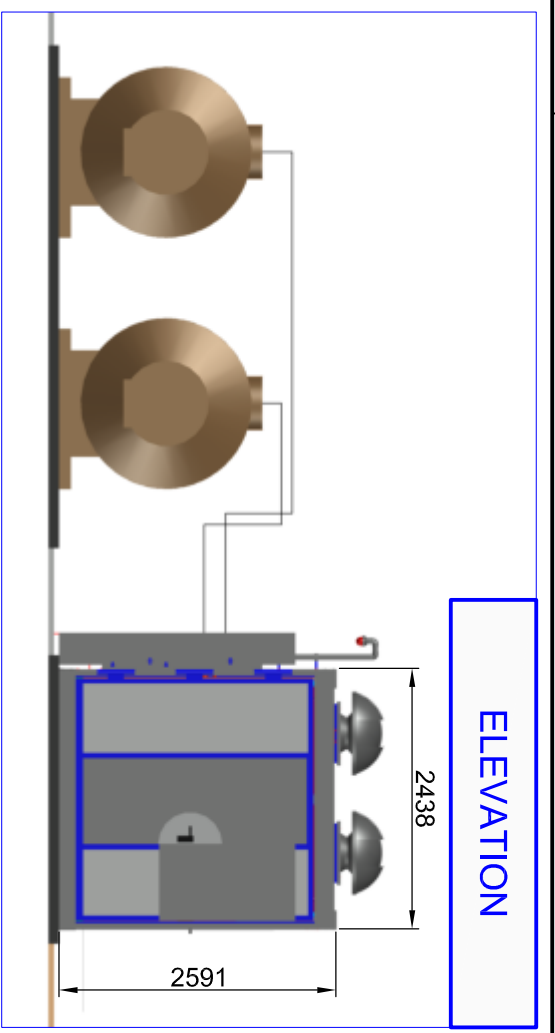
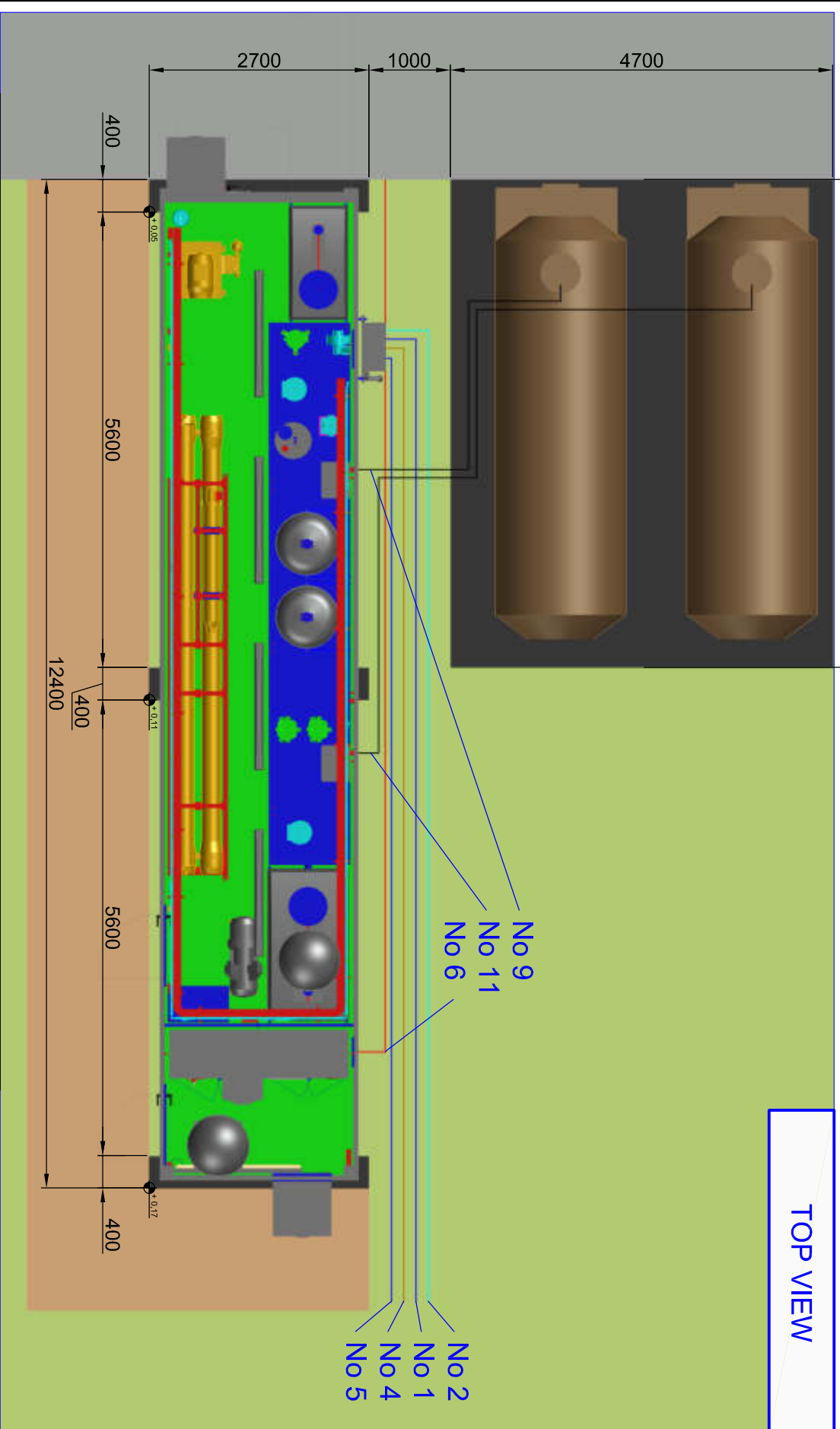


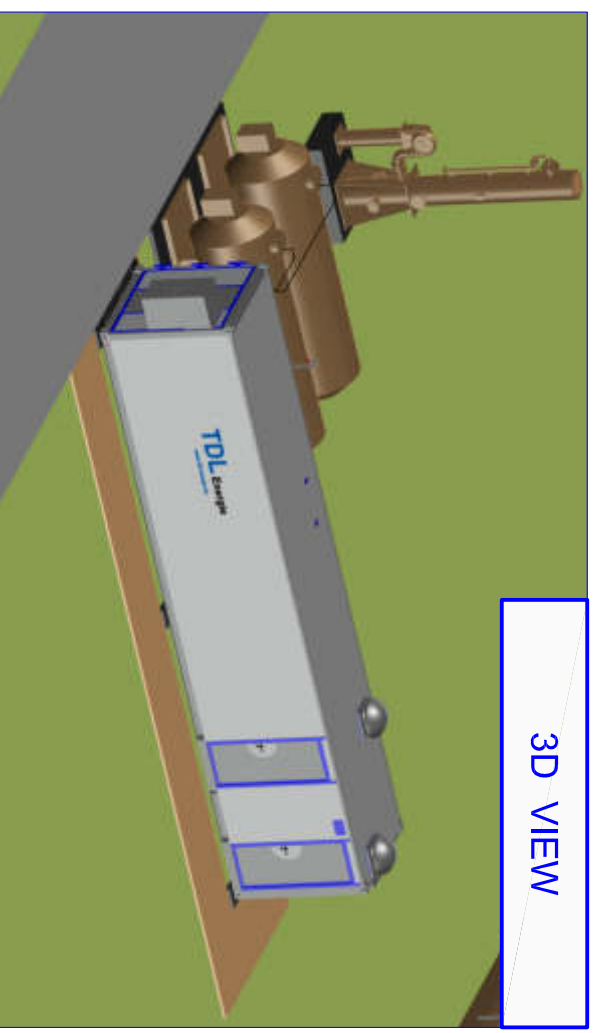
ELEVATION



ELEVATION



TOP VIEW



3D VIEW

Connections			
No 1	Inlet leachate	d63/DN50PVC-U	external leachate pump by client
No 2	Outlet permeate	d40/DN32PVC-U	outlet pressure 2-4 bar
No 4	Outlet concentrate	d40/DN32PVC-U	outlet pressure 2-4 bar
No 5	Outlet wash water	d63/DN50PVC-U	outlet pressure 2-4 bar
No 6	Power supply	system TN-C	by client
No 9	Dosing H2SO4	19x1,5mmPTFE R 1 1/2" PVC-U	flexible tube protection tube pump in container
No 11	Dosing NaOH	19x1,5mmPTFE R 1 1/2" PVC-U	flexible tube protection tube pump in container

40 ft. Container
40 ft. Container
 l= 12,19 m
 b= 2,44 m
 h= 2,59 m
 Gewicht ca. 14 t weight approximately 14 tons

Fundament Container
Foundation container
 l= 0,40 m
 b= 2,70 m
 h= 0,80 m
 3 Stück
 Bodenpressung 200 kN/m²
 Gründung frostfrei

TDL Energie GmbH

Annex

TYPE: RO_150 m³/d - 2 stage

Containerized plant
 Meece landfill site

Offer status

Layout - Connections

REV	Date	Description	W.W. Sign	CHK
00	05.03.24	Layout	-	-

BAUHERR	PROJEKT NUMMER			
ZEICHNUNGS TITEL				
TYPE: RO_150 m ³ /d - 2 stage				
Containerized plant				
Meece landfill site				
ZEICHNUNGS STATUS	Offer status			
Layout - Connections				
ERSTELLT	W.W.	GEPÜFT	GENEHMIGT	DATUM
1:50	A2	-	-	05.03.24
FORMAT	ZEICHNUNGS NUMMER			
MASSTAB	101			
				00