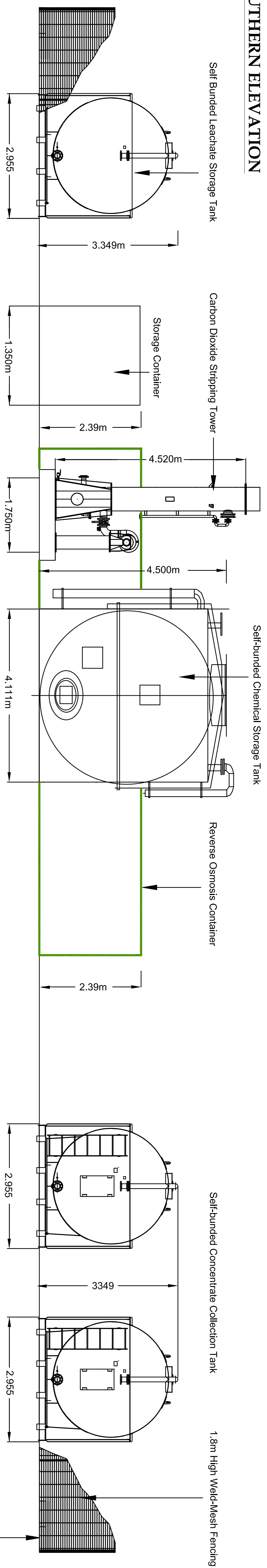
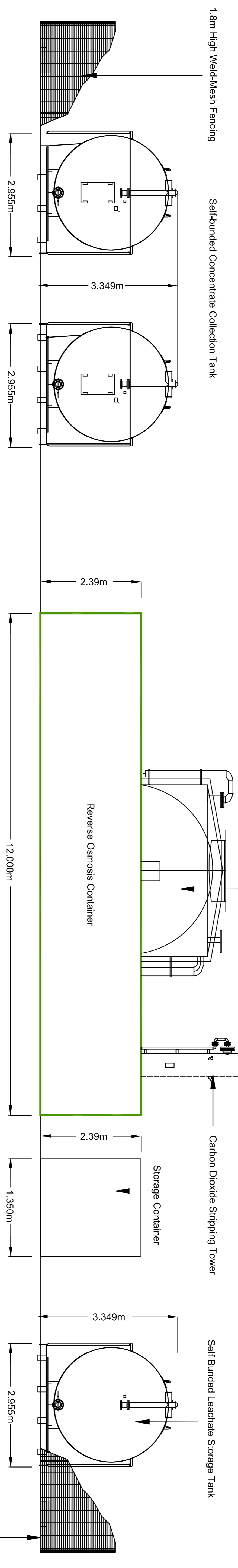


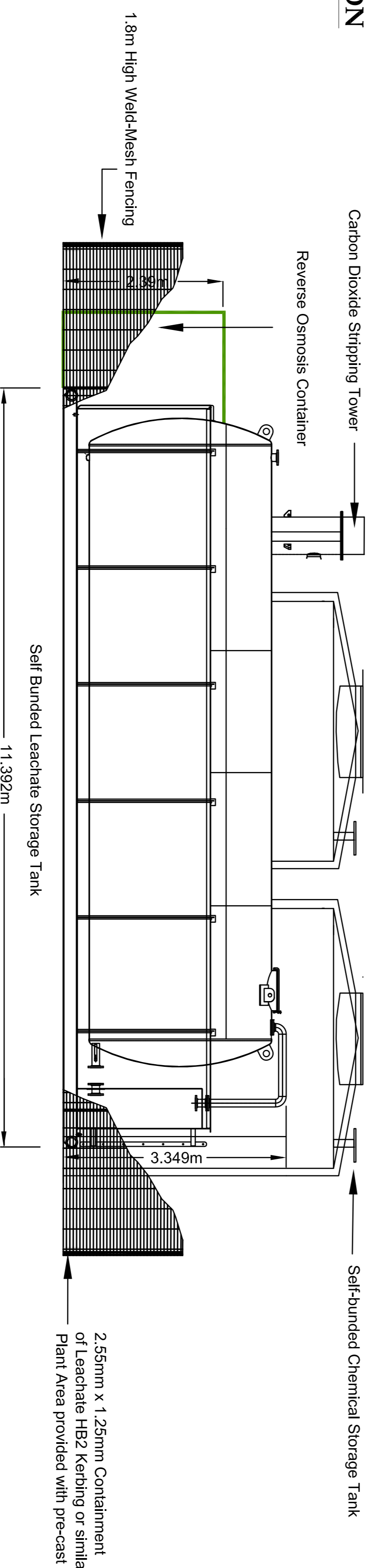
### SOUTHERN ELEVATION



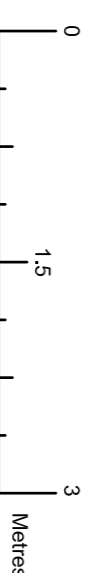
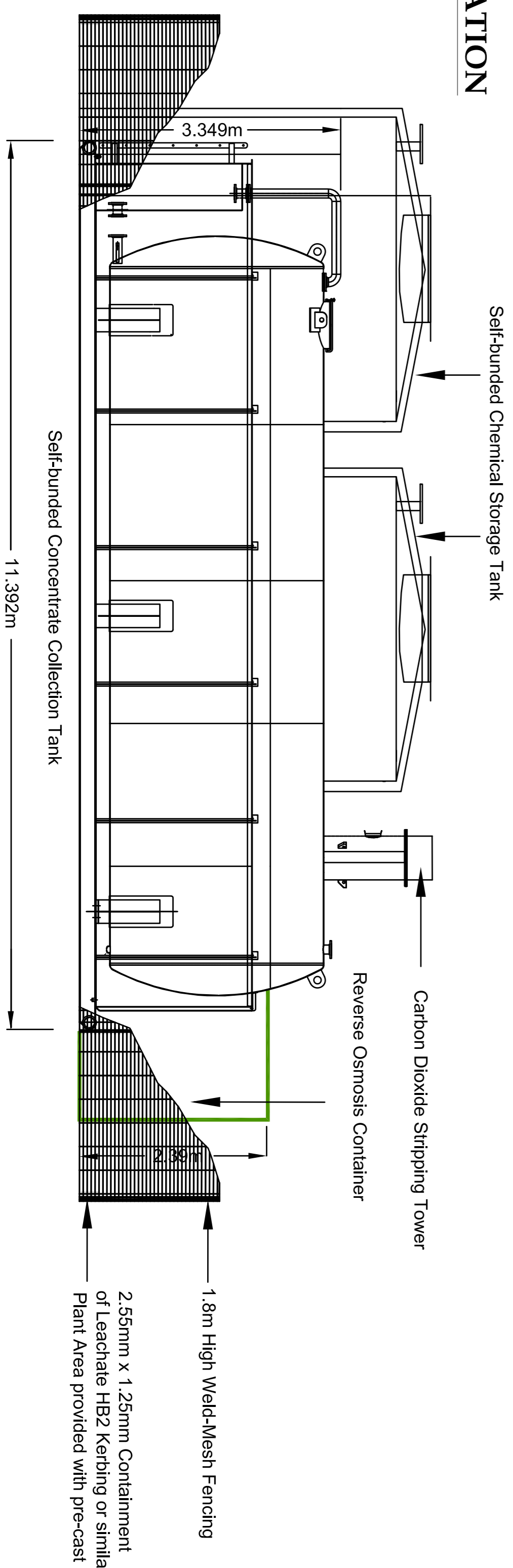
### NORTHERN ELEVATION



### WESTERN ELEVATION



### EASTERN ELEVATION



Reproduced from Supergrid Data @ (lease-free) by permission of Ordnance Survey @ on behalf of The Controller of Her Majesty's Stationery Office © Crown copyright 2006 all rights reserved. License number: 1000048X

REV	DATE	DRAWN	DESCRIPTION

**Biffo**  
 Biffa Waste Services Ltd  
 Poplars Landfill Site  
 Cannock Road  
 Staffordshire  
 WS11 8NQ  
 01827 409215  
 www.biffawastecare.com  
 email: info@biffa.co.uk

PROJECT	PLANNING	DRAWN	M.L.S
LOCATION	MEECE LANDFILL SITE	DATE	26/03/24
DRAWING TITLE	PROPOSED ELEVATIONS	SCALE(S)	1:50 @ A1
DRAWING No.	3	COMPUTER REF.	MA032900