

Direct Drilling

BDA accredited

106 High Street
Colney Heath
Herts AL4 0NP

LANDFILL
SOAKAWAYS
SITE INVESTIGATION

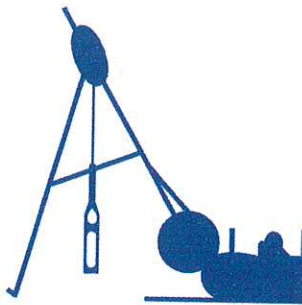
Tel / Fax : (01727) 823866
Tel : (01795) 666221
Mobile : (07831) 239668

Depth		Strata Description	Penetration Testing and Samples									
G/L			Type	From	To	75	150	225	300	375	450	Blows
	0.20	FIRM BROWN TOP SOILS.	B	0.50	1.00							
		FIRM TO STIFF GREENISH - GREY AND RUST - BROWN MOTTLED SILTY CLAY IMPREGNATED WITH FINE CHALK STONES AND FRAGMENTS.	B	2.50	3.00							
	2.50	STIFF DARK GREY SILTY CLAY IMPREGNATED WITH FINE CHALK STONES.	B	12.00	12.50							
			B	13.30	14.00							
			B	14.80	15.50							
			B	17.00	17.50							
			B	20.00	21.00							
	12.00	STIFF MOTTLED BROWN SILTY CLAY WITH FINE CHALK STONES AND SANDY BANDS.										
	13.30	BUFF - BROWN FINE TO MEDIUM SAND, WITH FINE - MEDIUM AND SCATTERED LARGE SEMI ROUNDED GRAVELS.										
	14.80	FIRM BUFF - BROWN SILT.										
	16.10	FIRM BUFF - BROWN SANDY, SILT WITH BANDS OF FINE TO MEDIUM SIZED GRAVELS.										
	17.00	BANDS OF FLINTS.										
	17.50	SOFT PUTTY LIKE CHALK, WITH ABUNDENT FISSURES, AND LOCAL BANDS OF FLINT.										
		DRILLED TO 40.00										

Remarks: INSTALLED 40.30 x 50^{mm} PIPE, DETAILS ON SEPARATE SHEET.
DAY WORKS ON SEPARATE SHEET.

Driller: M. J. Claxton

Water Levels				H ² O	Strike 1	Strike 2	Strike 3
Depth	Casing	Time		Depth			
Morning				30.50			
Evening							
Other							
Depth at end of day				Depth 5 mins			
Diameter (mm)	Borehole	Casing		Depth 10 mins			
200 / 150	13.30 / 40.00	3.00 / 28.00		Depth 15 mins			
Hard Strata / Chiselling				Depth 20 mins			
From (M)	To (M)	From (Hrs)	To (Hrs)	Casing			
17.00	17.50	CHISELLING =	3/4 HR.	Cut off at			
Total number of samples				Move	Drill	Stand	Break
SPT	B	U100	D	H ² O	P		Work
	7						
				1	40.00		
				Site	MANGREEN		
				Job No.	B / H No. W/M 1		
				Day	WEDNESDAY		
				Date	START 23-1-02		



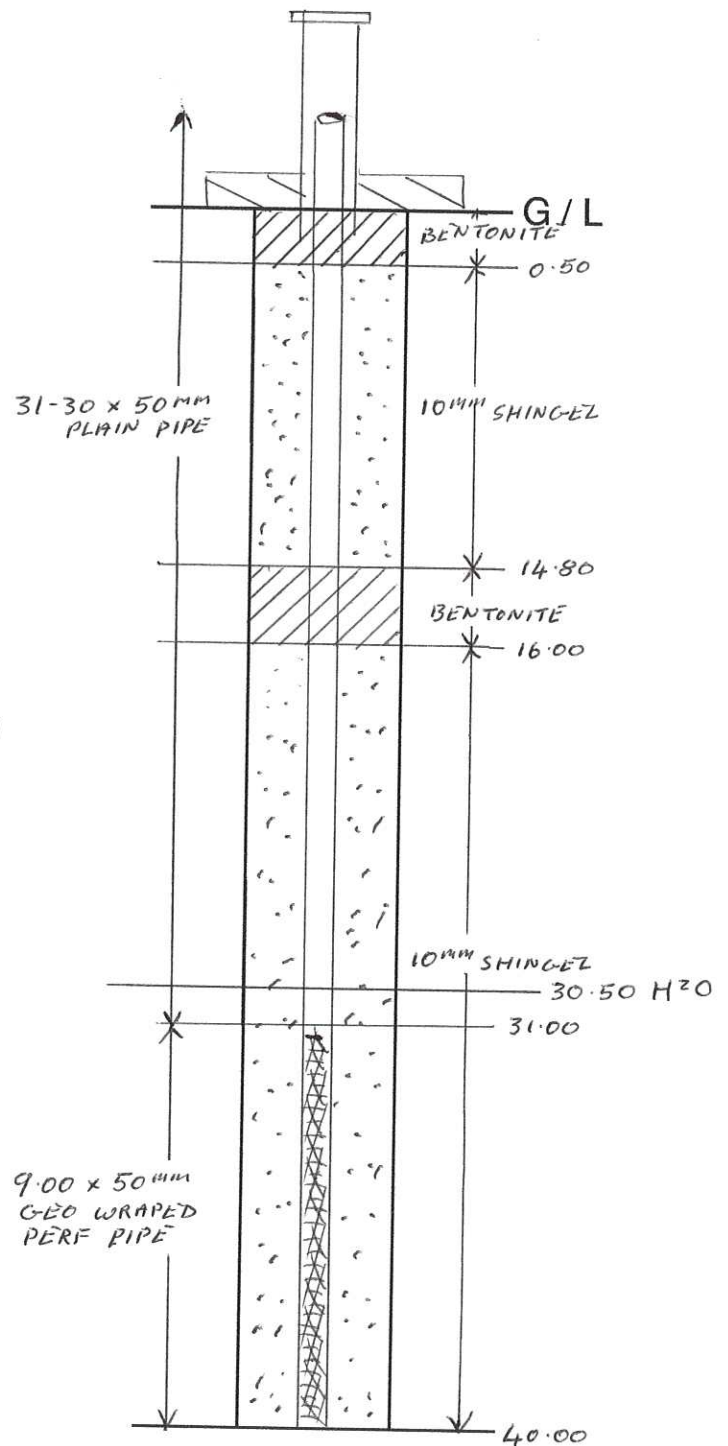
Direct Drilling

BDA accredited

106 High Street
Colney Heath
Herts AL4 0NP

LANDFILL
SOAKAWAYS
SITE INVESTIGATION

Tel / Fax : (01727) 823866
Tel : (01795) 666221
Mobile : (0831) 239668

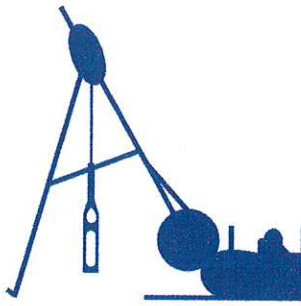


Installation of B/H. w/m 1

Site : MANGREEN

Job No : _____

Date : 30-1-02



Direct Drilling

BDA accredited

106 High Street
Colney Heath
Herts AL4 0NP

LANDFILL
SOAKAWAYS
SITE INVESTIGATION

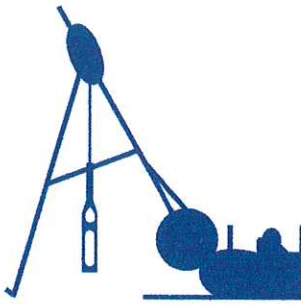
Tel / Fax : (01727) 823866
Tel : (01795) 666221
Mobile : (07831) 239668

Depth		Strata Description	Penetration Testing and Samples									
G/L			Type	From	To	75	150	225	300	375	450	Blows
0-50		FIRM BROWN TOP SOIL	B	0.50	1.00							
		FIRM TO STIFF, BUFF-BROWN AND GREY MOTTLED SILTY CLAY, WITH FINE CHALK STONES.	B	4.00	4.50							
4-10		FIRM RUST-BROWN SILTY, SANDY CLAY.	B	4.60	5.00							
			B	6.50	7.00					4-6		
			B	8.50	9.00					6-5 J+G		
4-60		LIGHT ORANGE BROWN MEDIUM SAND WITH FINE MEDIUM AND LARGE SEMI ROUNDED GRAVELS.	B	10.50	11.00					2-5 d		
			B	11.00	11.50							
			B	13.50	14.00					6-3 J+G		
8-40		AS ABOVE, BECOMING DARKER ORANGE BROWN	B	15.50	16.00							
10.00		LIGHT BUFF BROWN MEDIUM SAND WITH FINE MEDIUM AND LARGE GRAVELS.										
11.00		SOFT TO FIRM BROWN SILTY CLAY IMPREGNATED WITH FINE CHALK STONES.										
13.50		GREENISH GREY FINE SAND, WITH FINE-MEDIUM AND SCATTERED LARGE, ROUNDED GRAVELS.										
Remarks			<p>DAY WORKS.</p> <p>LEASON WITH FARMER TO LEVEL GROUND FOR ACCESS TO B/H POSITION FROM 11AM TO 2.30pm = 3 1/2 HRS.</p> <p>FILLED BOXZER TO ASSIST DRILLING = 1 HR.</p> <p>7:00</p>									

Driller

M. J. Claxton

Water Levels				H ² O	Strike 1	Strike 2	Strike 3
Depth	Casing	Time		Depth			
Morning				6.50			
Evening				NOT MAKING			
Other							
Depth at end of day				Depth 5 mins			
Diameter (mm)	Borehole	Casing		Depth 10 mins			
200 / 150	13.50 / 17.00	12.00 / 17.00		Depth 15 mins			
				Depth 20 mins			
Hard Strata / Chiselling				Casing			
From (M)	To (M)	From (Hrs)	To (Hrs)	Cut off at			
				Move	Drill	Stand	Break
				1	17.00		4 1/2
				Site	MANGREEN		
				Job No.	B / H No. w/m 2		
				Day	WEDNESDAY		
				Date	16-1-02		
Total number of samples							
SPT	B	U100	D	H ² O	P		
	9						



Direct Drilling

BDA accredited

106 High Street
Colney Heath
Herts AL4 0NP

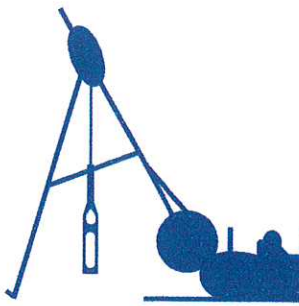
LANDFILL
SOAKAWAYS
SITE INVESTIGATION

Tel / Fax : (01727) 823866
Tel : (01795) 666221
Mobile : (07831) 239668

Depth	Strata Description	Penetration Testing and Samples									
		Type	From	To	75	150	225	300	375	450	Blows
17.00	RUST BROWN FINE TO MEDIUM SAND WITH FINE MEDIUM AND LARGE SUB ANGULAR AND SEMI ROUNDED GRAVELS, AND LARGE FLINTS (DENSE)	B	15.50	16.00							
		B	17.00	17.50							
		B	17.80	19.80							
		B	20.00	21.00							
17.80	DENSE BAND OF LARGE FLINTS.										
19.80	SOFT PUTTY LIKE CHALK, WITH LOCAL BANDS OF FLINT. BECOMING FIRM FRAGMENTED CHALK IN A PUTTY LIKE MATRIX AT DEPTH.										
DRAILED TO 40.00		DAY WORKS.									
		FILLED BOWZER SECTIONED TIME TO ASSIST DRILLING = 1HR.									
		COLLECTED SHINGLE FROM WHITLINGHAM PIT, = TWO TRUCK LOADS = 1 1/2 HRS.									
		CLEARED SPILLS TO ONE LOCATION AND REINSTATED B/H POSITION = 3/4 HR.									

Remarks: INSTALLED 40.30 X 50^{MM} LINER, DETAILS ON SEPARATE SHEET.
Driller: M. J. Claxton

Water Levels				H ² O	Strike 1	Strike 2	Strike 3
Depth	Casing	Time		Depth			
Morning				Depth 5 mins		33.00	
Evening				Depth 10 mins			
Other				Depth 15 mins			
Depth at end of day				Depth 20 mins			
Diameter (mm)	Borehole	Casing		Casing			
150 ^{MM}	40.00	21.00		Cut off at			
Hard Strata / Chiselling				Move	Drill	Stand	Break
From (M)	To (M)	From (Hrs)	To (Hrs)		23.00		
17.00 TO	17.80 SLOW DRILLING =	1 1/2 HRS.		Site	MANGREEN		
17.80 TO	19.80 CHISELLING =	2 3/4 HRS.		Job No.	B/H No. W/M 2		
Total number of samples				Day	MONDAY		
SPT	B	U100	D	H ² O	P	Date	21-1-02
	4						



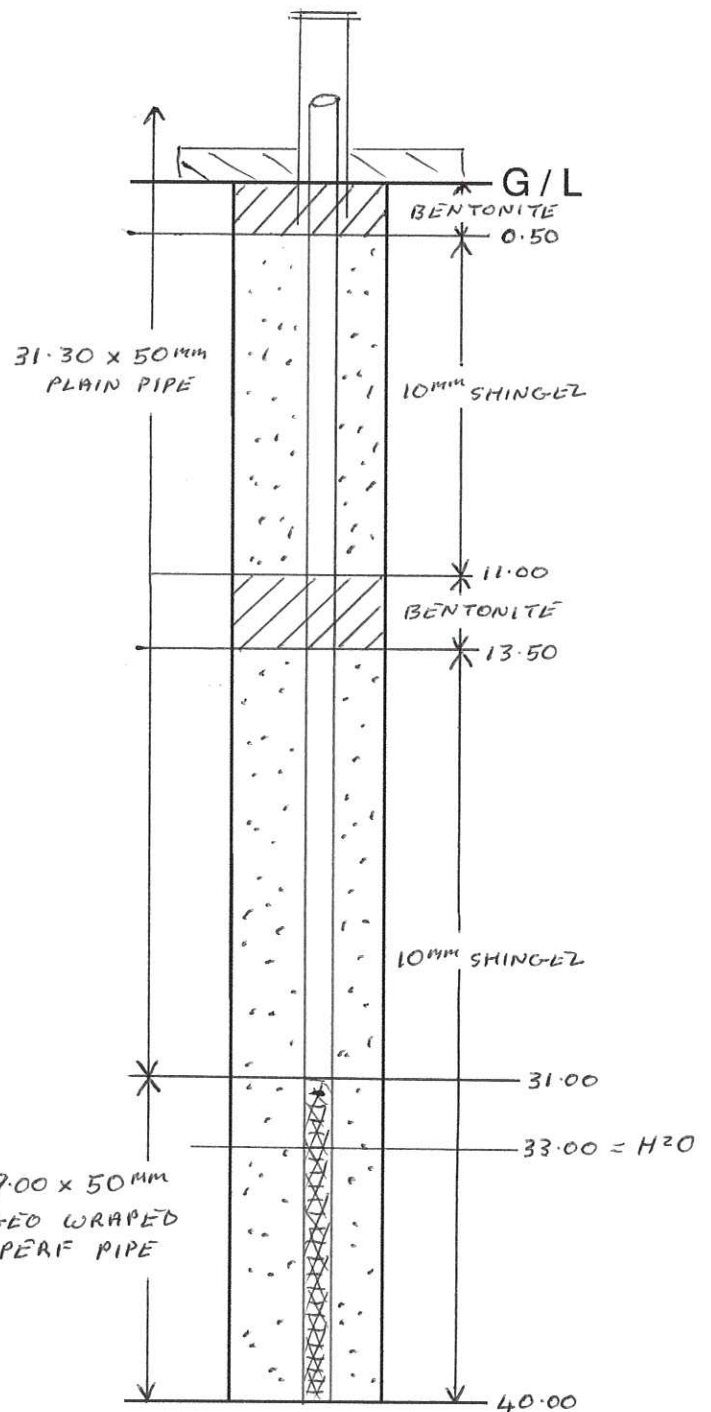
Direct Drilling

BDA accredited

106 High Street
Colney Heath
Herts AL4 0NP

LANDFILL
SOAKAWAYS
SITE INVESTIGATION

Tel / Fax : (01727) 823866
Tel : (01795) 666221
Mobile : (0831) 239668

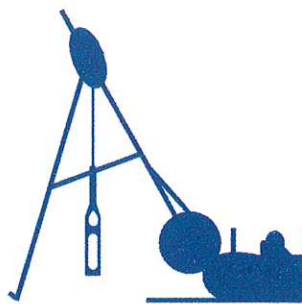


Installation of B / H. w/m 2

Site : MANGREEN

Job No : _____

Date : 22-1-02



Direct Drilling

BDA accredited

106 High Street
Colney Heath
Herts AL4 0NP

LANDFILL
SOAKAWAYS
SITE INVESTIGATION

Tel / Fax : (01727) 823866
Tel : (01795) 666221
Mobile : (0831) 239668

Depth		Strata Description	Penetration Testing and Samples									
G/L			Type	From	To	75	150	225	300	375	450	Blows
		FIRM BROWN TOP SOILS, WITH BRICK FRAGMENTS.	B	0.50	1.00							
0.30		STIFF GREY AND BROWN MOTTLED SILTY CLAY IMPREGNATED WITH FINE CHALK STONES.	B	1.50	2.00				1.5			
			B	2.50	3.00				1.9	J+G		
			B	3.40	4.00				1.3	cl		
1.50		ORANGE BROWN MEDIUM SAND, WITH FINE MEDIUM AND LARGE SUB ANGULAR AND SEMI ROUNDED GRAVELS AND LARGE COBBLES AND FLINTS.	B	4.70	5.00				3.3	J+G		
			B	6.50	7.00				5.5	cl		
			B	8.00	8.50				4.1	silt, J+G		
3.40		FIRM RUST-BROWN SANDY, SILTY CLAY	B	13.50	14.00				2.4	sand		
4.70		ORANGE BROWN MEDIUM SAND WITH FINE MEDIUM AND LARGE SUB ANGULAR AND SEMI ROUNDED GRAVELS, AND LARGE COBBLES AND FLINTS.	B	15.50	16.00							
8.00		FIRM BUFF-BROWN SILTY CLAY IMPREGNATED WITH FINE CHALK STONES AND SANDY BANDS.										
10.00		FIRM VARIEGATED SANDY SILT.										
13.50		ORANGE BROWN MEDIUM SAND, WITH FINE-MEDIUM AND LARGE SEMI ROUNDED GRAVELS IN A SILTY MATRIX.										

STANDING TIME.

WAITING FOR FARMER TO MAKE ACCESS TO B/H 3 POSITION, FROM 12^{MD} TO 4PM DAY WORKS. 13-2-02.

TRANSPORTED AIG-BOWZLER 200^{MM} AND 150^{MM} EQUIPMENT TO B/H POSITION = 1HR

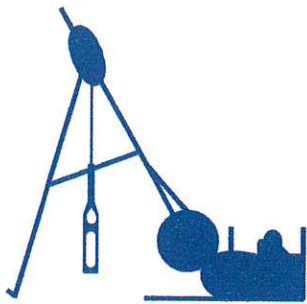
FILLED BOWZLER ON FARM TRANSPORTED TO SITE, TRANSFERRED TO DUMPER AND TRANSPORTED TO B/H POSITION = 1 1/4 HRS.

Remarks

Driller

M. J. Claxton

Water Levels				H ² O	Strike 1	Strike 2	Strike 3	
Depth	Casing	Time		Depth				
Morning				Depth 5 mins				
Evening				Depth 10 mins				
Other				Depth 15 mins				
Depth at end of day				Depth 20 mins				
Diameter (mm)	Borehole	Casing		Casing				
200 / 150	13.50 / 16.00	9.00 / 16.00		Cut off at				
Hard Strata / Chiselling				Move	Drill	Stand	Break	Work
From (M)	To (M)	From (Hrs)	To (Hrs)	1	16.00	4 HRS		2 1/4 HRS.
				Site	MANGREZEN			
Total number of samples				Job No.	B/H No. W/M 3			
SPT	B	U100	D	H ² O	P	Day THURSDAY		Date 14-2-02
	8							



Direct Drilling

BDA accredited

106 High Street
Colney Heath
Herts AL4 0NP

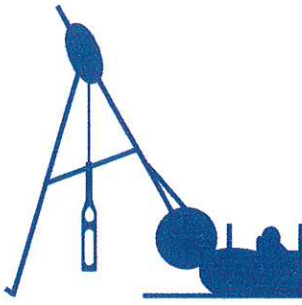
LANDFILL
SOAKAWAYS
SITE INVESTIGATION

Tel / Fax : (01727) 823866

Tel : (01795) 666221

Mobile : (0831) 239668

Depth		Strata Description		Penetration Testing and Samples																			
17.60		RUST - BROWN MEDIUM SAND, WITH SCATTERED FINE GRAVELS AND SAND STONE BANDS.		Type	From	To	75	150	225	300	375	450	Blows										
				B	17.60	18.00																	
				B	20.00	21.00																	
20.00		FIRM CHALK IN A PUTTY LIKE MATRIX WITH LOCAL BANDS OF FLINT.																					
		DRILLED TO 40.00																					
				DAY WORKS.																			
				COLLECTED TWO TRUCK LOADS OF SHINGLE FOR INSTALLATION = 1 1/2 HRS.																			
				CLEARED SPILLS = 1/2 HR.																			
				COLLECTED CONCRETE FOR ALL HEAD WORKS. = 1 HR.																			
				WINCHED RIG, AND TRANSPORTED ALL EQUIPMENT BACK TO TERRA FIRMA.																			
				CLEANED TRUCK AND RIG, WITH HOSE IN FARM YARD = 2 HRS.																			
Remarks				INSTALLED 40.30 x 50mm PIPE, DETAILS ON SEPARATE SHEET.								Driller M. J. Claxton											
Water Levels				H ² O				Strike 1				Strike 2				Strike 3							
	Depth		Casing	Time		Depth				30.50													
Morning						Depth 5 mins																	
Evening						Depth 10 mins																	
Other						Depth 15 mins																	
Depth at end of day				Depth 20 mins																			
Diameter (mm)		Borehole		Casing		Casing																	
150mm		40.00		27.00		Cut off at																	
Hard Strata / Chiselling				Move				Drill				Stand				Break				Work			
From (M)		To (M)		From (Hrs)		To (Hrs)		24.00								5 HRS.							
				Site MANGREIN																			
Total number of samples								Job No.								B/H No. W/M 3							
SPT	B	U100	D	H ² O		P		Day FRIDAY								Date 15-2-02							
	2																						



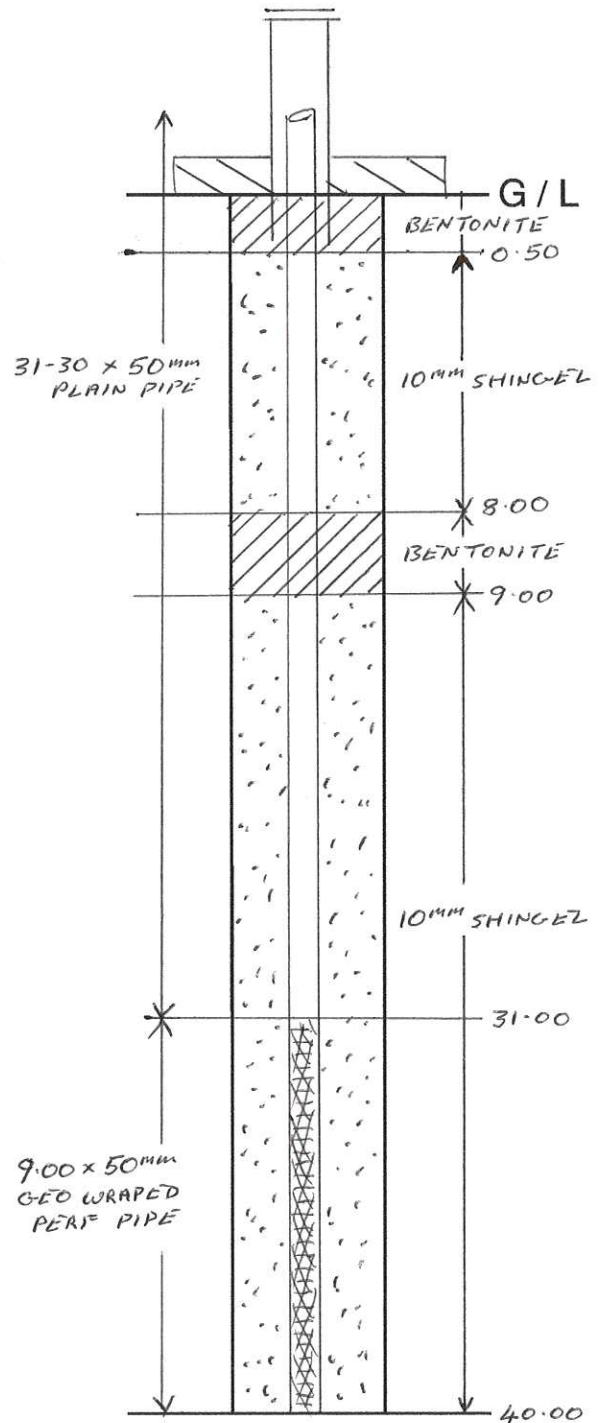
LANDFILL
SOAKAWAYS
SITE INVESTIGATION

Direct Drilling

BDA accredited

106 High Street
Colney Heath
Herts AL4 0NP

Tel / Fax : (01727) 823866
Tel : (01795) 666221
Mobile : (0831) 239668



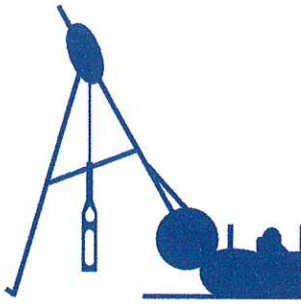
Installation of B/H. w/M3

Site : MANGREEN

Job No : _____

Date : 18-2-02

NOT TO SCALE



Direct Drilling

BDA accredited

106 High Street
Colney Heath
Herts AL4 0NP

LANDFILL
SOAKAWAYS
SITE INVESTIGATION

Tel / Fax : (01727) 823866
Tel : (01795) 666221
Mobile : (07831) 239668

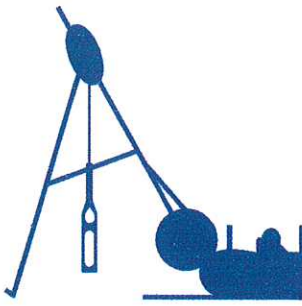
Depth		Strata Description	Penetration Testing and Samples							
Type	From	To	75	150	225	300	375	450	Blows	
G/L	FIRM BROWN TOP SOIL									
0-30	STIFF BUFF-BROWN AND RUST-BROWN SILTY CLAY IMPREGNATED WITH FINE CHALK STONES.		B	0.50	1.00					
			B	5.70	6.00					
			B	7.00	7.50					
5.70	ORANGE BROWN FINE TO MEDIUM SAND, WITH FINE-MEDIUM AND LARGE SEMI ROUNDED GRAVELS AND OCCASIONAL LARGE FLINTS.		B	8.50	9.00					
			B	10.60	11.00					
			B	11.90	12.50					
7.00	ORANGE BROWN FINE TO MEDIUM SAND WITH FINE TO MEDIUM SIZED GRAVELS IN A SLIGHTLY SILTY MATRIX.		B	14.00	14.50					
			B	16.00	16.50					
			B	18.00	18.60					
8.50	ORANGE BROWN FINE TO MEDIUM SAND, IN A SILTY MATRIX WITH SCATTERED FINE GRAVELS.		B	20.00	21.00					
10.60	FIRM BUFF-BROWN SILTY CLAY, WITH SANDY BANDS.									
11.90	LIGHT ORANGE BROWN MEDIUM SAND, WITH FINE-MEDIUM AND LARGE SUB-ANGULAR AND SEMI ROUNDED GRAVELS.									
16.00	DENSE FINE-MEDIUM AND LARGE ROUNDED GRAVELS AND LARGE COBBLES.									
18.00	DENSE BAND OF FLINTS.									
18.60	SOFT PUTTY LIKE CHALK WITH LOCAL BANDS OF FLINT.									

5.7
1-3 silty
1-5 silty
3-4 silty
6-1 silty

Remarks INSTALLATION OF 40.30 x 50mm PIPE, DETAILS ON SEPARATE SHEET
DAY WORKS ON SEPARATE SHEET.

Driller M. S. Claxton

Water Levels				H ² O	Strike 1	Strike 2	Strike 3
Depth	Casing	Time		Depth			
Morning				28-50			
Evening							
Other							
Depth at end of day				Depth 5 mins			
Diameter (mm)	Borehole	Casing		Depth 10 mins			
200 / 150	11.90 / 40.00	11.90 / 21.00		Depth 15 mins			
				Depth 20 mins			
Hard Strata / Chiselling				Casing			
From (M)	To (M)	From (Hrs)	To (Hrs)	Cut off at			
16.00 TO	18.60 = SLOW DRILLING	3 HRS.					
Total number of samples				Move	Drill	Stand	Break
SPT	B	U100	D	H ² O	P		
	10						
				1	40.00		
				Site MANGREZ			
				Job No.		B/H No. W/M 4	
				Day THURSDAY		Date START 31-1-02	



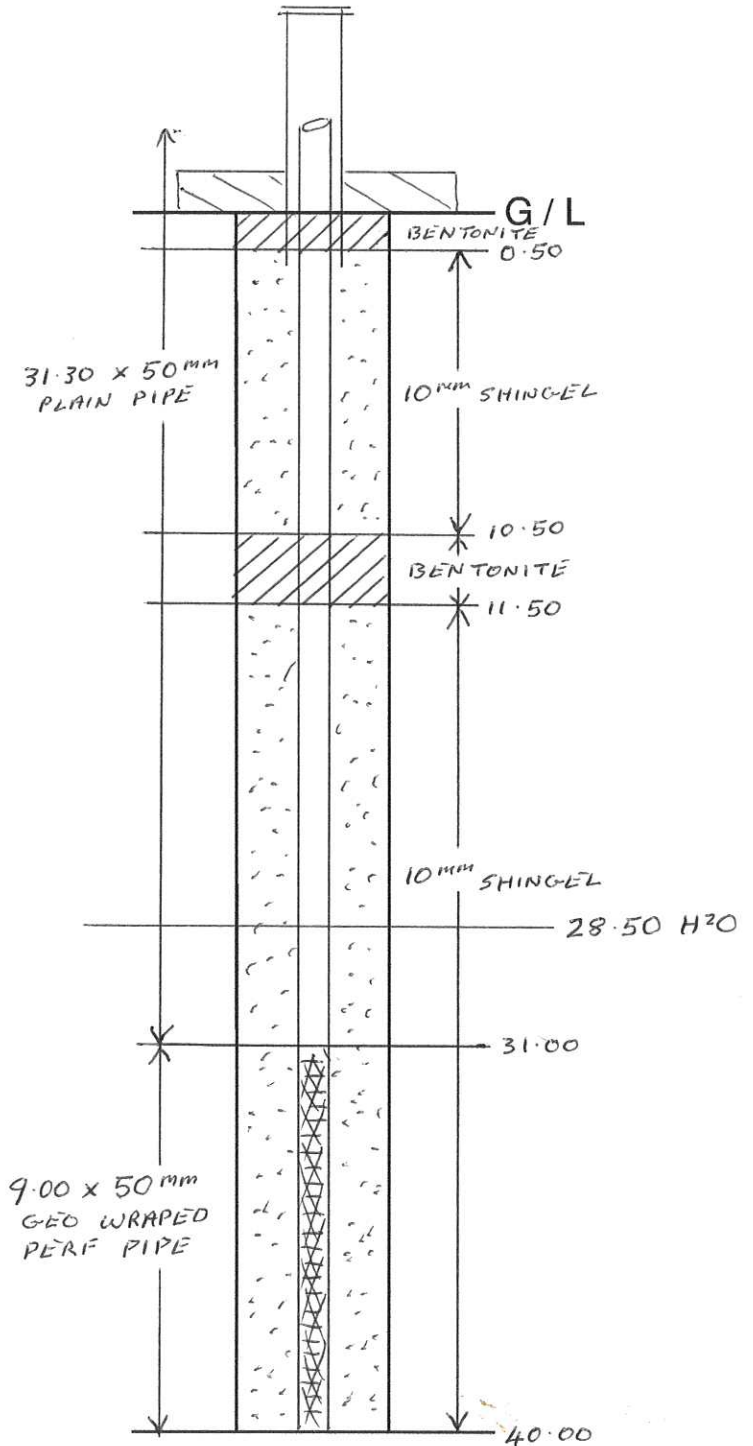
LANDFILL
SOAKAWAYS
SITE INVESTIGATION

Direct Drilling

BDA accredited

106 High Street
Colney Heath
Herts AL4 0NP

Tel / Fax : (01727) 823866
Tel : (01795) 666221
Mobile : (0831) 239668

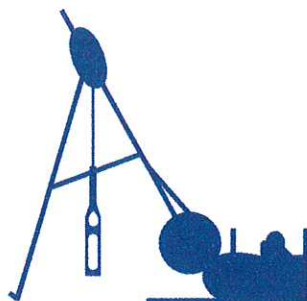


Installation of B / H. w/m 4

Site : MANGREEN

Job No : _____

Date : 5-2-02



Direct Drilling

BDA accredited

106 High Street
Colney Heath
Herts AL4 0NP

LANDFILL
SOAKAWAYS
SITE INVESTIGATION

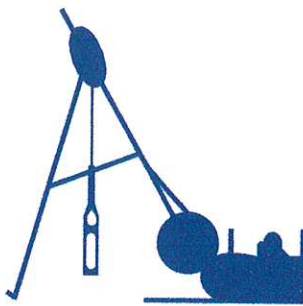
Tel / Fax : (01727) 823866
Tel : (01795) 666221
Mobile : (07831) 239668

Depth		Strata Description	Penetration Testing and Samples									
G/L			Type	From	To	75	150	225	300	375	450	Blows
0-30	G/L	FIRM BROWN TOP SOIL.	B	0.30	0.50							
		STIFF MOTTLED BROWN SILTY CLAY	B	1.00	1.50			3.0				
		IMPRÉG-NATED WITH FINE CHALK	B	3.00	3.50			1.8 silt				
		STONES AND SCATTERED GRAVELS.	B	4.80	5.50			1.2 cl				
1.00		FIRM BUFF - BROWN SILTY CLAY, WITH	B	6.00	6.50			1.4 g				
		ABUNDENT CHALK STONES AND CHALK	B	7.40	8.00			3.9 silt + cl				
		FRAGMENTS.	B	8.80	9.40			7.7 silt				
3.00		LIGHT BUFF - BROWN FINE SAND, WITH										
		FINE TO MEDIUM SIZED SEMI ROUNDED										
		GRAVELS.										
4.80		FIRM BUFF BROWN AND RUST - BROWN										
		MOTTLED SILTY CLAY, WITH SANDY										
		BANDS.										
6.00		LIGHT BUFF - BROWN FINE SAND, WITH										
		FINE TO MEDIUM SIZED GRAVELS.										
7.40		BUFF BROWN FINE SANDY SILT, WITH										
		SCATTERED GRAVELS.										
8.80		FIRM BUFF - BROWN SILTY CLAY WITH										
		SANDY BANDS.										
9.40		FIRM DARK MAUVE - GREY AND LIGHT										
		GREENISH GREY VARIEGATED SANDY,										
		SILT.										

DAY WORKS.
TRANSPORTED 200^{mm} AND 150^{mm} EQUIPMENT WITH DUMPER.
WINCHED RIG OFF DUMPER TO B/H 5 POSITION = 3 HRS.
FILLED BOWZER TO ASSIST DRILLING FROM SUPPLY ON FRAM TRANSPORTED TO B/H POSITION WITH DUMPER = 3/4 HR.

Remarks	Driller <i>M. S. Claxton</i>
---------	---------------------------------

Water Levels				H ² O	Strike 1	Strike 2	Strike 3
Depth	Casing	Time		Depth			
Morning				Depth 5 mins			
Evening				Depth 10 mins			
Other				Depth 15 mins			
Depth at end of day				Depth 20 mins			
Diameter (mm)	Borehole	Casing		Casing			
200	10.00	9.00		Cut off at			
Hard Strata / Chiselling				Move	Drill	Stand	Break
From (M)	To (M)	From (Hrs)	To (Hrs)	1	10.00		3 3/4 HRS.
				Site MANGREËN			
Total number of samples				Job No.		B/H No. W/M 5	
SPT	B	U100	D	H ² O	P	Day THURSDAY	
	8					Date 7-2-02	



Direct Drilling

BDA accredited

106 High Street
Colney Heath
Herts AL4 0NP

LANDFILL
SOAKAWAYS
SITE INVESTIGATION

Tel / Fax : (01727) 823866
Tel : (01795) 666221
Mobile : (07831) 239668

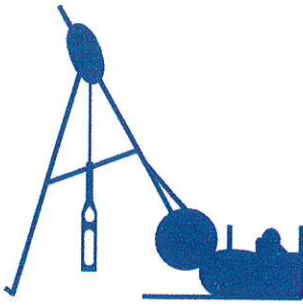
Depth		Strata Description	Penetration Testing and Samples									
			Type	From	To	75	150	225	300	375	450	Blows
11.30		GREENISH BROWN FINE TO MEDIUM SAND, WITH FINE - MEDIUM AND LARGE SEMI ROUNDED GRAVELS, WITH FINE SILT BANDS.	B	11.30	12.00							
			B	12.00	12.50							
			B	13.50	14.00							
12.00		BROWN MEDIUM SAND, WITH FINE - MEDIUM AND LARGE SEMI ROUNDED GRAVELS.	B	15.50	16.00							
			B	17.50	18.00							
			B	19.00	20.00							
13.00		ORANGE BROWN MEDIUM SAND, WITH FINE MEDIUM AND LARGE SEMI - ROUNDED GRAVELS.										
18.00		DARK ORANGE BROWN MEDIUM TO COURSE SAND, WITH FINE MEDIUM AND LARGE SEMI ROUNDED GRAVELS, BECOMING DARK RUST - BROWN WITH SCATTERED FLINTS AT DEPTH.	DAY WORKS.									
			COLLECTED TWO TRUCK LOADS OF SHINGEL FROM WHITLINGHAM PIT, FOR INSTALLATION = 1 1/2 HRS.									
19.00		FIRM FRAGMENTED CHALK IN A PUTTY LIKE MATRIX WITH LOCAL BANDS OF FLINT.	CLEARED SPOILS TO ONE LOCATION AND REINSTATED B/H POSITION = 1/2 HR.									
		DRILLED TO 40.00										

Remarks INSTALLED 40.30 x 50mm PIPE, DETAILS ON SEPARATE SHEET.

Driller

M. J. Claxton

Water Levels				H ² O	Strike 1	Strike 2	Strike 3
Depth	Casing	Time		Depth			
Morning				30.50			
Evening							
Other							
Depth at end of day				Depth 5 mins	Depth 10 mins	Depth 15 mins	Depth 20 mins
Diameter (mm)	Borehole	Casing		Casing	Cut off at		
200 / 150	11.30 / 40.00	9.00 / 26.00					
Hard Strata / Chiselling				Move	Drill	Stand	Break
From (M)	To (M)	From (Hrs)	To (Hrs)				
				30.00			2 HRS.
				Site	MANGREEN		
				Job No.	B / H No. W/M 5		
				Day	FRIDAY MONDAY		
				Date	8-2-02 11-2-02		
Total number of samples							
SPT	B	U100	D	H ² O	P		
	6						



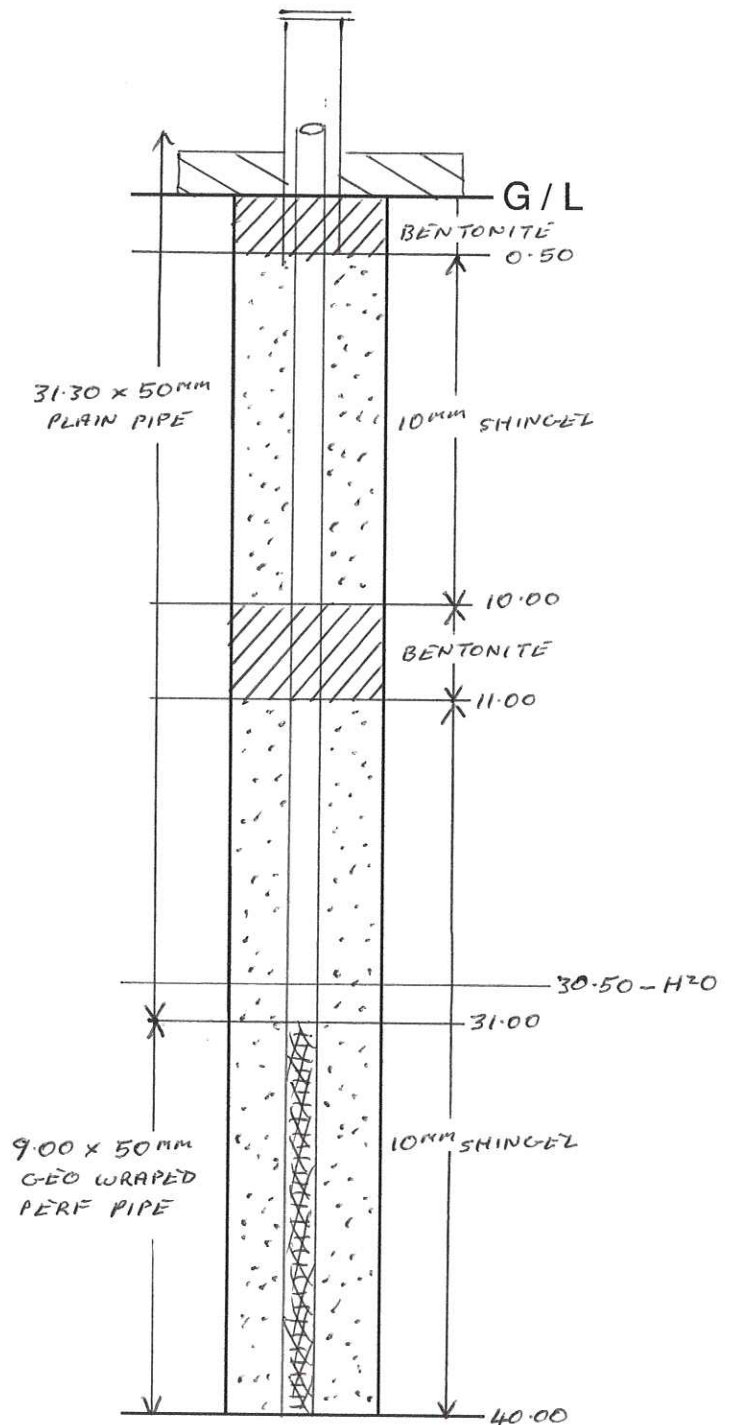
LANDFILL
SOAKAWAYS
SITE INVESTIGATION

Direct Drilling

BDA accredited

106 High Street
Colney Heath
Herts AL4 0NP

Tel / Fax : (01727) 823866
Tel : (01795) 666221
Mobile : (0831) 239668



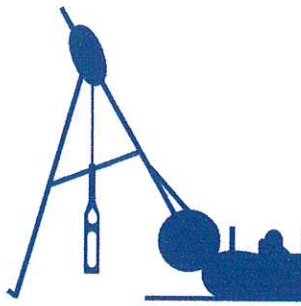
Installation of B / H. w/m 5

Site : MANGREEN

Job No : _____

Date : 12-2-02

NOT TO SCALE



Direct Drilling

BDA accredited

106 High Street
Colney Heath
Herts AL4 0NP

LANDFILL
SOAKAWAYS
SITE INVESTIGATION

Tel / Fax : (01727) 823866
Tel : (01795) 666221
Mobile : (07831) 239668

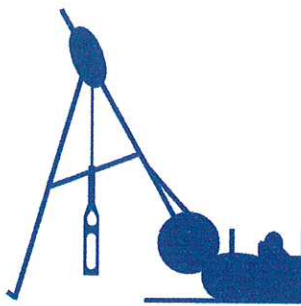
Depth		Strata Description	Penetration Testing and Samples									
G/L			Type	From	To	75	150	225	300	375	450	Blows
0-40		FIRM BROWN TOP SOIL.	B	0.40	1.00							
1.50		FIRM BROWN SANDY SUB SOIL.	B	1.50	2.00							
1.50		FIRM TO STIFF MOTTLED BROWN SILTY CLAY.	B	3.00	3.50							
3.00		STIFF MOTTLED BROWN SILTY CLAY IMPREGNATED WITH FINE SCATTERED GRAVELS AND FLINTS.	B	3.70	4.00							
3.70		STIFF RUST-BROWN AND LIGHT GREY SANDY, SILTY CLAY WITH FINE TO MEDIUM SIZED GRAVELS.	B	4.50	5.00							
3.70		STIFF RUST-BROWN AND LIGHT GREY SANDY, SILTY CLAY WITH FINE TO MEDIUM SIZED GRAVELS.	B	6.50	7.00							
3.70		STIFF RUST-BROWN AND LIGHT GREY SANDY, SILTY CLAY WITH FINE TO MEDIUM SIZED GRAVELS.	B	7.50	9.00							
4.50		LIGHT GREENISH-BUFF-BROWN FINE TO MEDIUM SAND, WITH FINE TO MEDIUM SIZED SEMI ROUNDED GRAVELS.	B	8.80	9.50				4.5			
4.50		LIGHT GREENISH-BUFF-BROWN FINE TO MEDIUM SAND, WITH FINE TO MEDIUM SIZED SEMI ROUNDED GRAVELS.	B	10.50	11.00				4.3	g/s		
7.50		ORANGE BROWN MEDIUM SAND, WITH FINE-MEDIUM AND SCATTERED LARGE SEMI ROUNDED GRAVELS.							3.1	g/s		
8.80		DENSE, GREENISH BROWN FINE SAND WITH FINE-MEDIUM AND LARGE SEMI ROUNDED GRAVELS.										
10.00		AS ABOVE, BECOMING LESS 'DENSE' AND GREATER AMOUNT OF FINE SAND.										

Remarks

Driller

M. S. Claxton

Water Levels				H ² O	Strike 1	Strike 2	Strike 3
Depth	Casing	Time		Depth			
Morning				Depth 5 mins			
Evening				Depth 10 mins			
Other				Depth 15 mins			
				Depth 20 mins			
Depth at end of day				Casing			
Diameter (mm)	Borehole	Casing		Cut off at			
200 mm	11.00	11.00		Move	Drill	Stand	Break
Hard Strata / Chiselling				1	11.00		
From (M)	To (M)	From (Hrs)	To (Hrs)	Site	MANGREEN		
8.80	10.00	SLOW DRILLING = 1 3/4		Job No.	B/H No. W/M 6		
Total number of samples				Day	WEDNESDAY		
SPT	B	U100	D	H ² O	P	Date	6-2-02
	9						



Direct Drilling

BDA accredited

106 High Street
Colney Heath
Herts AL4 0NP

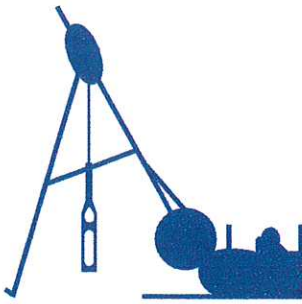
LANDFILL
SOAKAWAYS
SITE INVESTIGATION

Tel / Fax : (01727) 823866
Tel : (01795) 666221
Mobile : (07831) 239668

Depth		Strata Description	Penetration Testing and Samples									
			Type	From	To	75	150	225	300	375	450	Blows
11.00		DARK RUST-BROWN FINE SAND, WITH ABUNDENT LARGE FLINTS.	B	11.00	11.90							
11.90		SOFT PUTTY LIKE CHALK WITH LOCAL BANDS OF FLINT.	B	12.00	13.00							
		DRILLED TO 35.00	DAY WORKS.									
			WINCHED RIG OFF B/H 4 AND TRANSPORTED TO B/H 6, TRANSPORTED 200 ^{MM} + 150 ^{MM} EQUIPMENT TO B/H ASSISTED BY DUMPER. 5-2-02 = 2 HRS.									
			FILLED BOWZER TO ASSIST DRILLING TRANSFERRED TO DUMPER AND TRANSPORTED TO B/H POSITION 5-2-02 = 1 1/2 HRS.									
			COLLECTED TWO TRUCK LOADS OF SHINGLES FROM WHITLINGHAM PIT, FOR INSTALLATION = 1 1/2 HRS									
			CLEARED SPOILS TO ONE LOCATION AND REINSTATED B/H POSITION = 3/4 HR.									

Remarks: INSTALLED 35.30 x 50^{MM} PIPE, DETAILS ON SEPARATE SHEET
Driller: M. J. Claxton

Water Levels				H ² O	Strike 1	Strike 2	Strike 3
Depth	Casing	Time		Depth			
Morning				23.00			
Evening							
Other							
Depth at end of day				Depth 5 mins			
Diameter (mm)	Borehole	Casing		Depth 10 mins			
200 / 150	22.00 / 35.00	12.00 / 22.00		Depth 15 mins			
Hard Strata / Chiselling				Depth 20 mins			
From (M)	To (M)	From (Hrs)	To (Hrs)	Casing			
11.00 to 11.90		= CHISELLING	1 1/2 HRS.	Cut off at			
Total number of samples				Move	Drill	Stand	Break
SPT	B	U100	D	H ² O	P		Work
	2						5 3/4 HRS.
				Site	MANGREEN		
				Job No.	B / H No. W/M 6		
				Day	WEDNESDAY		
				Date	6-2-02		



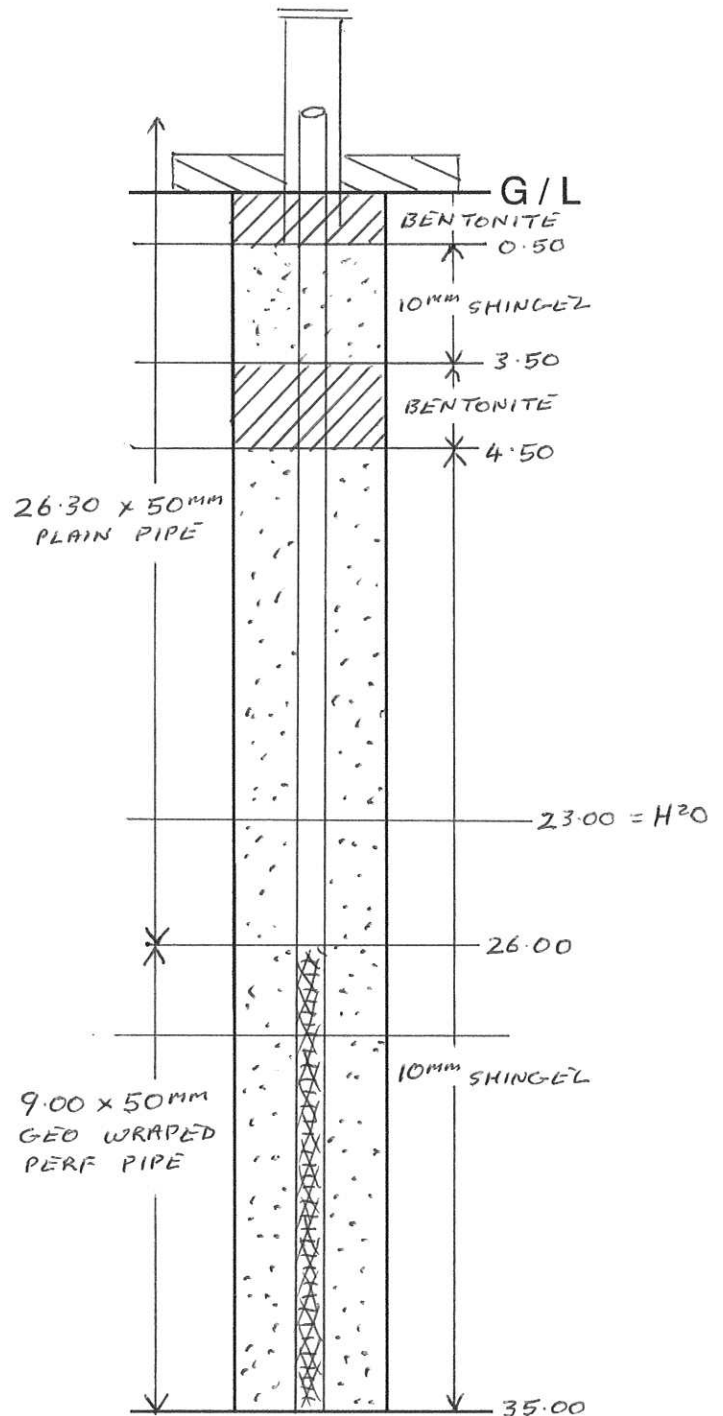
LANDFILL
SOAKAWAYS
SITE INVESTIGATION

Direct Drilling

BDA accredited

106 High Street
Colney Heath
Herts AL4 0NP

Tel / Fax : (01727) 823866
Tel : (01795) 666221
Mobile : (0831) 239668



Installation of B / H. w/m6

Site : MANGREEN

Job No : _____

Date : 7-2-02

NOT TO SCALE