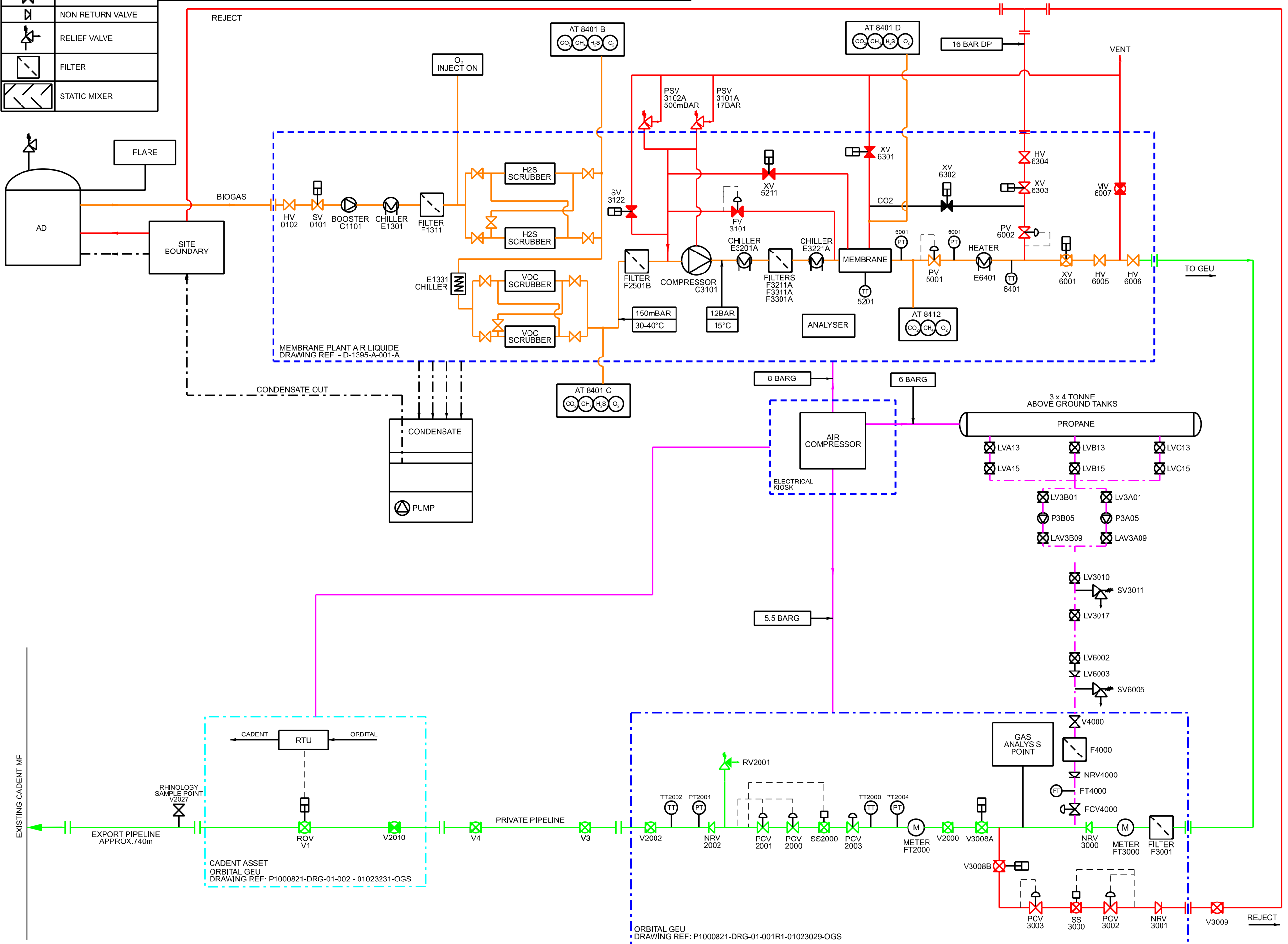


SYMBOLS									
	PLUG VALVE		METER		BOOSTER/COMPRESSOR		MANUAL VALVE		REDUCER
	BALL VALVE		PRESSURE TRANSMITTER		PUMP		PRESSURE CONTROL VALVE		FLOW SWITCH
	SLAM SHUT VALVE		TEMPERATURE TRANSMITTER		CHILLER/HEATER		NORMALLY CLOSED		
	ACTUATED VALVE		HEAT EXCHANGER		GATE VALVE		NORMALLY OPEN		
	NON RETURN VALVE								
	RELIEF VALVE								
	FILTER								
	STATIC MIXER								



**PRELIMINARY ISSUE FOR DISCUSSION ONLY**

REVISIONS:				
REV	DESCRIPTION	DATE	CHK	APP
A	INITIAL ISSUE	02/09/20	NR	DM

- NOTES**
- INITIAL ISSUE SENT FOR USE AT THE BIODYNAMIC HAZOP.
  - ADDITIONAL RHINOLOGY POINT WILL BE LOCATED CLOSE TO THE POINT OF CONNECTION ON THE EXISTING CADENT PIPELINE.
  - EXPORT PIPELINE TO CADENT MP IS APPROXIMATELY 740m FROM ROV.

- KEY**
- REJECT LINE
  - BIOMETHANE LINE
  - BIOGAS LINE
  - COMPRESSED AIR LINE
  - PROPANE LINE
  - CONDENSATE LINE
- P - PRESSURE  
T - TEMPERATURE  
F - FLOW  
PI - PRESSURE INDICATOR  
PT - PRESSURE TRANSMITTER  
TT - TEMPERATURE TRANSMITTER  
OP - OPERATING PRESSURE  
DP - DESIGN PRESSURE  
NOP - NORMAL OPERATING PRESSURE  
NOT - NORMAL OPERATING TEMPERATURE

CLIENT:  
**AIR LIQUIDE**

PROJECT:  
**BIODYNAMIC BTG PROJECT**

TITLE:  
**PROCESS FLOW DIAGRAM**

SCALE: **N.T.S.** @ A3 DRAWN: **GW**  
CHECKED: **NR** CAD: DATE: **02/09/2020**  
APPROVED: **DM** SHEET: **1 OF 1**

PROJECT No: **795**

DRAWING No: **795-01-BMDR-405**

REVISION: **A**

**cng services ltd**  
VIRGINIA HOUSE  
56 WARWICK ROAD  
OLTON  
SOLIHULL  
B92 7HX

COPYRIGHT © 2011-2020  
CNG SERVICES LTD  
TEL: 0121 2478160  
WEB: www.cngservices.co.uk