

EXPLOSIBILITY DETAILS

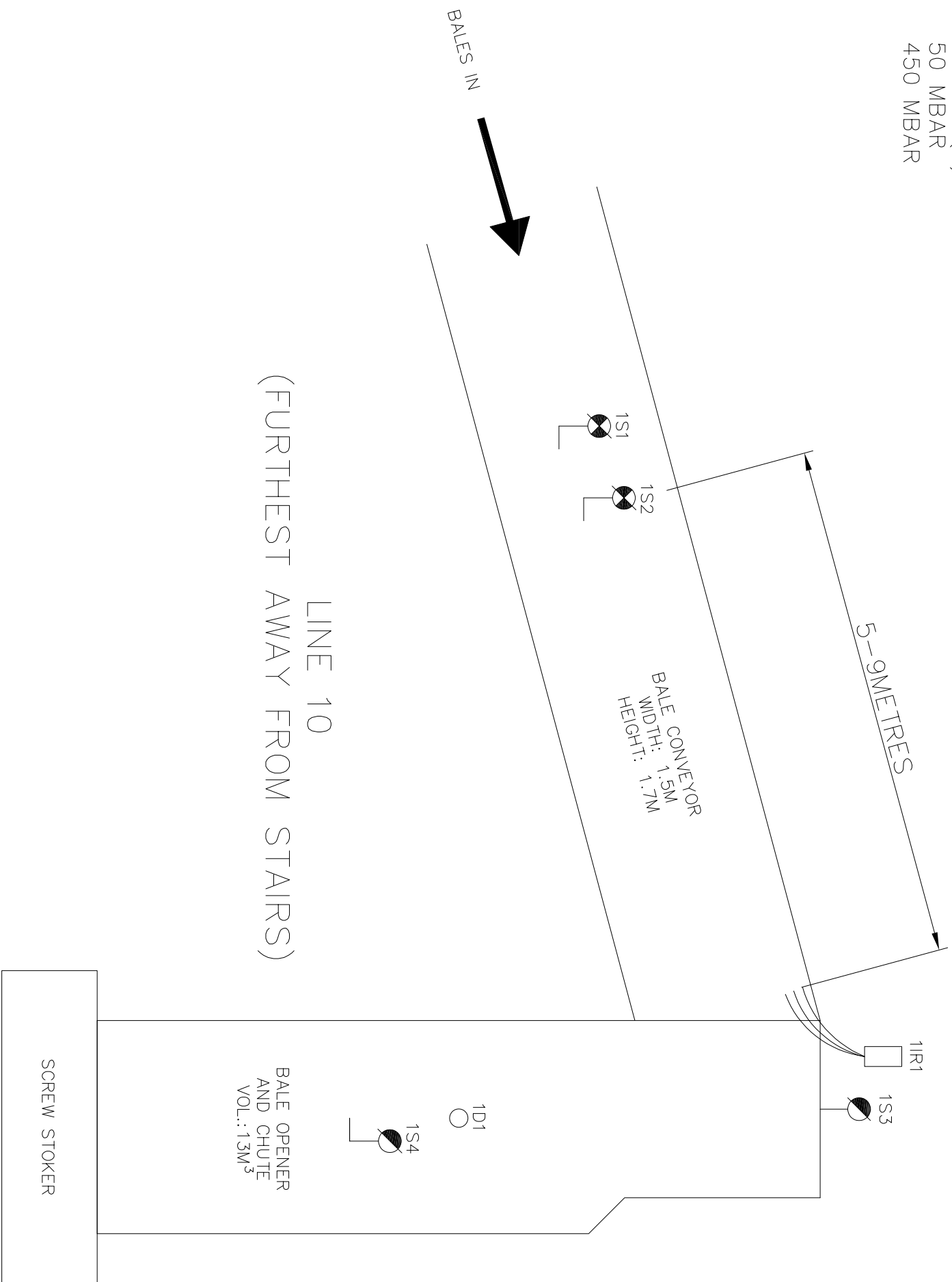
MATERIAL: STRAW, WOOD CHIPS, OLIVE PELLETS

KST: 118 BAR.M/S

PMAX: 9.4 BAR(G)

DP: 50 MBAR

PRED: 450 MBAR



LINE 10
(FURTHEST AWAY FROM STAIRS)

BALE CONVEYOR
WIDTH: 1.5M
HEIGHT: 1.7M

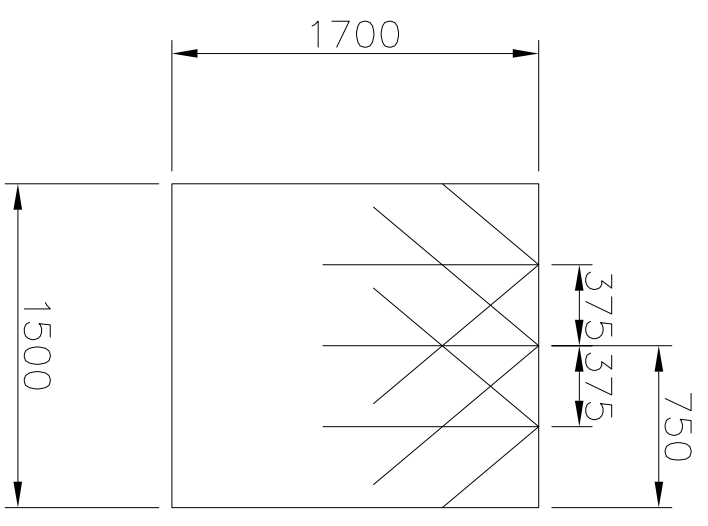
BALE OPENER
AND CHUTE
VOL.: 13M³

SCREW STOKER

LEGENDS:

- 311 interim 60bar eSUPPRESSOR c/w 90° ELBOW & FLAT SPREADER ASSY INSTALLATION DRAWING 11111-Flat/31-eSup-w
- 201 interim 60bar eSUPPRESSOR c/w FLAT SPREADER ASSY INSTALLATION DRAWING 11111.105.7.1.eSuppr
- 201 interim 60 bar eSUPPRESSOR c/w 90° ELBOW & TELESCOPIC SPREADER ASSY INSTALLATION DRAWING 11111-077.2.eSuppr
- IR-13.1 INFRARED SPARK/FLAME DETECTOR INSTALLATION DRAWING 59431-280
- MEX-3.2/FAB-4.1 PRESSURE DETECTOR INSTALLATION DRAWING 59431-266

IR INSTALLATION DETAIL
(APPLICABLE TO 1IR1 - 4IR1)



1	REV	DATE	REASON FOR ISSUE	DRN	CHK	APP	<p>IEP TECHNOLOGIES LTD UNITED KINGDOM</p>	<p>THIS DRAWING IS THE INTELLECTUAL PROPERTY OF IEP TECHNOLOGIES LTD. IT SHALL BE REPRODUCED OR TRANSMITTED IN ANY FORM OR BY ANY MEANS, WITHOUT THE PRIOR WRITTEN CONSENT OF IEP TECHNOLOGIES LTD.</p> <p>© IEP TECHNOLOGIES LTD</p>	DRAWN	AS	CLIENT	FILTRIX ENGINEERING		
									DATE	25/03/21	PROJECT	SLEAFORD REP		
									CHECKED		TITLE:	EXPLOSION SUPPRESSION AND ISOLATION SYSTEM P&ID		
									DATE		P.O. No.	17005-IEP-PO-01 / 18.03.2021		
A	DATE	26/03/21	INTRODUCED	AS			DO NOT SCALE		SHT	1	OF	4	DRG. No.	IEP100-2001
A	DATE		REASON FOR ISSUE	DRN	CHK	APP								

EXPLOSIBILITY DETAILS

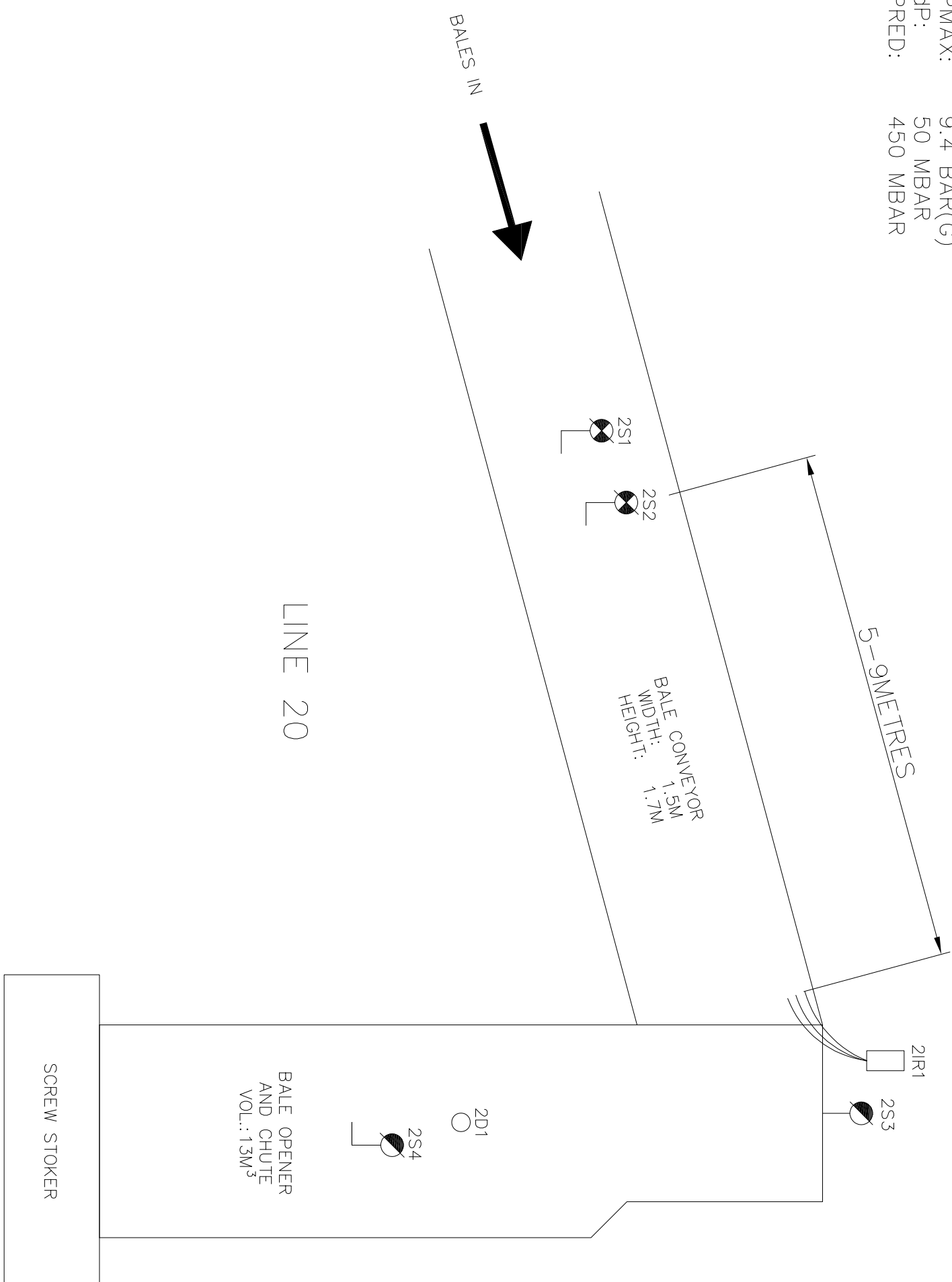
MATERIAL: STRAW, WOOD CHIPS, OLIVE PELLETS

KST: 118 BAR.M/S

PMAX: 9.4 BAR(G)

DP: 50 MBAR

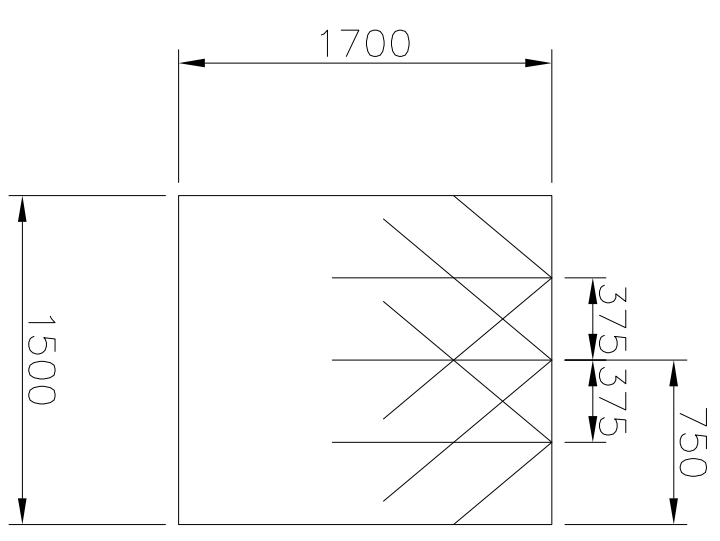
PRED: 450 MBAR



LINE 20

- LEGENDS:
- 311 interim 60bar eSUPPRESSOR c/w 90° ELBOW & FLAT SPREADER ASSY INSTALLATION DRAWING 11111-Flat/31-eSup-w
 - 201 interim 60bar eSUPPRESSOR c/w FLAT SPREADER ASSY INSTALLATION DRAWING 11111.105.7.1.eSuppr
 - 201 interim 60 bar eSUPPRESSOR c/w 90° ELBOW & TELESCOPIC SPREADER ASSY INSTALLATION DRAWING 11111-077.2.eSuppr
 - IR-13.1 INFRARED SPARK/FLAME DETECTOR INSTALLATION DRAWING 59431-280
 - MEX-3.2/FAB-4.1 PRESSURE DETECTOR INSTALLATION DRAWING 59431-266

IR INSTALLATION DETAIL
(APPLICABLE TO 1IR1 - 4IR1)



A		B		C		D		E		F		G		H		J		K			
EXPLOSIBILITY DETAILS																					
MATERIAL: STRAW, WOOD CHIPS, OLIVE PELLETS																					
KST: 118 BAR.M/S																					
PMAX: 9.4 BAR(G)																					
DP: 50 MBAR																					
PRED: 450 MBAR																					
LINE 20																					
<p>THIS DRAWING IS THE INTELLECTUAL PROPERTY OF IEP TECHNOLOGIES LTD. IT SHALL BE REPRODUCED OR TRANSMITTED IN ANY FORM OR BY ANY MEANS, WITHOUT THE PRIOR WRITTEN CONSENT OF IEP TECHNOLOGIES LTD.</p> <p>© IEP TECHNOLOGIES LTD</p>																					
REV		DATE		REASON FOR ISSUE		DRN		CHK		APP		DO NOT SCALE		DRAWN		AS		CLIENT		FILTERX ENGINEERING	
A		26/03/21		INTRODUCED		AS								DATE		25/03/21		PROJECT		SLEAFORD REP	
B		14/04/21		CONVEYOR DMS UPDATE		AS								CHECKED				TITLE:		EXPLOSION SUPPRESSION AND ISOLATION SYSTEM P&ID	
C		23/04/21		LINE NAMING UPDATE		AS								DATE				P.O. No.		17005-IEP-PO-01 / 18.03.2021	
A						DRN		CHK		APP				APPROVED				SHT		2	
A																		OF		4	
A																		DRG. No.		IEP100-2001	

EXPLOSIBILITY DETAILS

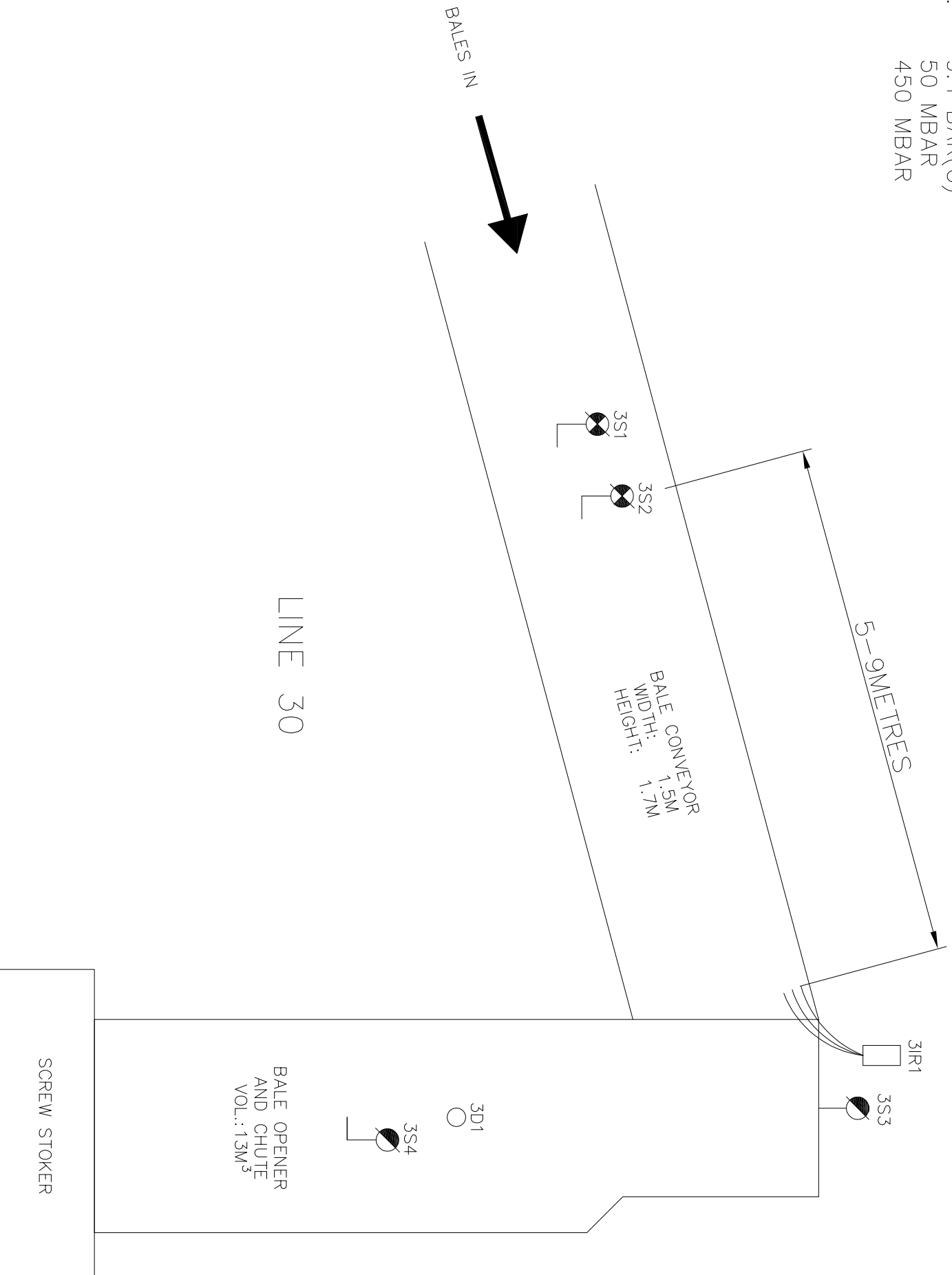
MATERIAL: STRAW, WOOD CHIPS, OLIVE PELLETS

KST: 118 BAR.M/S

PMAX: 9.4 BAR(G)

DP: 50 MBAR

PRED: 450 MBAR



LINE 30

BALE CONVEYOR
WIDTH: 1.5M
HEIGHT: 1.7M

5-9METRES

BALES IN

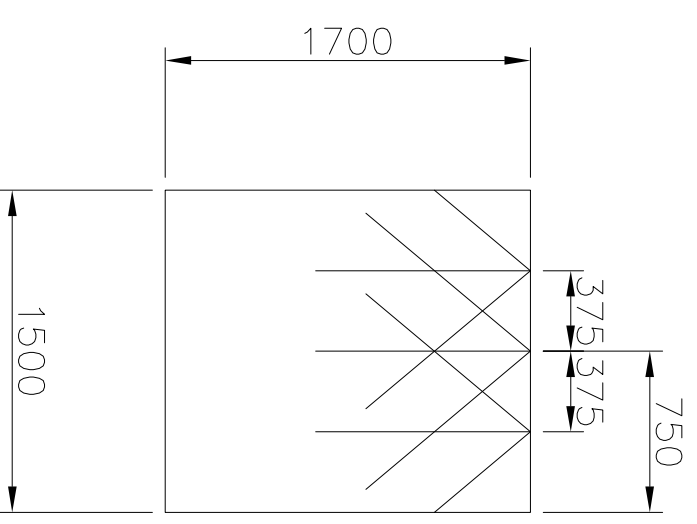
BALE OPENER
AND CHUTE
VOL.: 13M³

SCREW STOKER

LEGENDS:

- 311 interim 60bar eSUPPRESSOR c/w 90° ELBOW & FLAT SPREADER ASSY INSTALLATION DRAWING 11111-Flat/31-eSup-w
- 201 interim 60bar eSUPPRESSOR c/w FLAT SPREADER ASSY INSTALLATION DRAWING 11111.105.7.1.eSuppr
- 201 interim 60 bar eSUPPRESSOR c/w 90° ELBOW & TELESCOPIC SPREADER ASSY INSTALLATION DRAWING 11111-077.2.eSuppr
- IR-13.1 INFRARED SPARK/FLAME DETECTOR INSTALLATION DRAWING 59431-280
- MEX-3.2/FAB-4.1 PRESSURE DETECTOR INSTALLATION DRAWING 59431-266

IR INSTALLATION DETAIL
(APPLICABLE TO 1IR1 - 4IR1)



REV	DATE	REASON FOR ISSUE	DRN	CHK	APP	 IEP TECHNOLOGIES LTD UNITED KINGDOM		THIS DRAWING IS THE INTELLECTUAL PROPERTY OF IEP TECHNOLOGIES LTD. IT SHALL BE REPRODUCED AS A WHOLE WITHOUT THE PRIOR WRITTEN CONSENT OF IEP TECHNOLOGIES LTD. © IEP TECHNOLOGIES LTD		DRAWN	AS	CLIENT	FILTRIX ENGINEERING
A	26/03/21	INTRODUCED	AS			DO NOT SCALE		DATE	25/03/21	PROJECT	SLEAFORD REP	P.O. No.	17005-IEP-PO-01 / 18.03.2021
B	14/04/21	CONVEYOR DIMS UPDATE	AS			DATE		CHECKED		TITLE:	EXPLOSION SUPPRESSION AND ISOLATION SYSTEM P&ID	SHT	3
C	23/04/21	LINE NAMING UPDATE	AS			APPROVED		DATE			LINE 30	OF	4
A												DRG. No.	IEP100-2001

EXPLOSIBILITY DETAILS

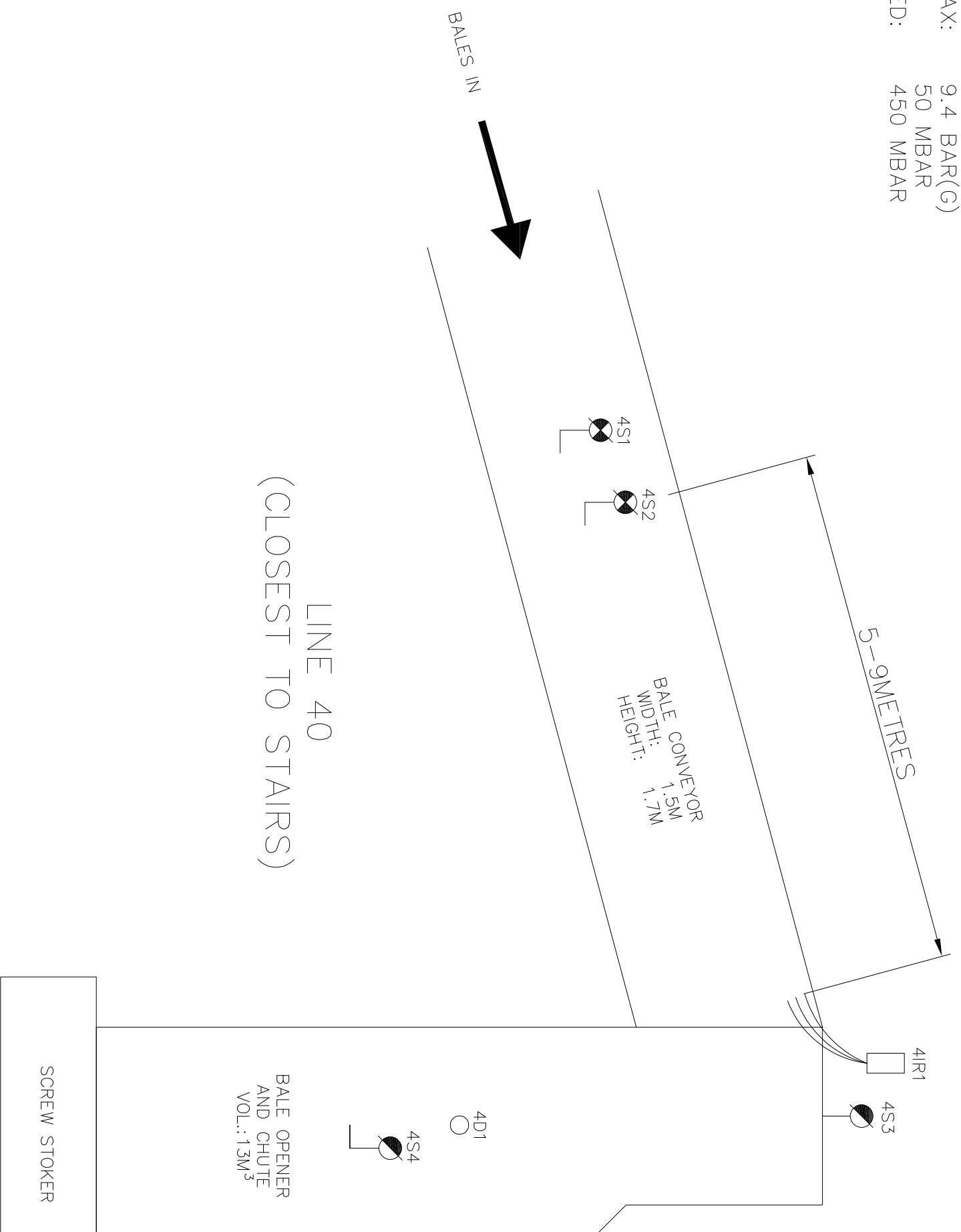
MATERIAL: STRAW, WOOD CHIPS, OLIVE PELLETS

KST: 118 BAR.M/S

PMAX: 9.4 BAR(G)

DP: 50 MBAR

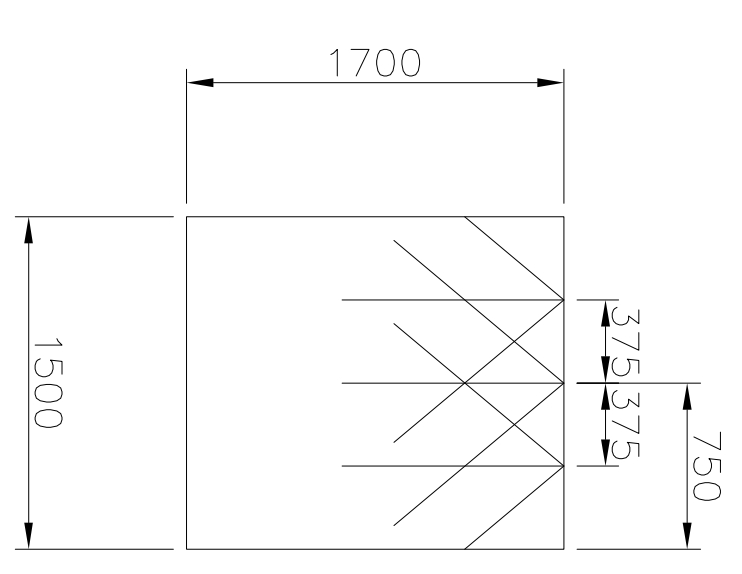
PRED: 450 MBAR



LINE 40
(CLOSEST TO STAIRS)

- LEGENDS:
- 311 interim 60bar eSUPPRESSOR c/w 90° ELBOW & FLAT SPREADER ASSY INSTALLATION DRAWING 11111-Flat/31-eSup-w
 - 201 interim 60bar eSUPPRESSOR c/w FLAT SPREADER ASSY INSTALLATION DRAWING 11111.105.7.1.eSuppr
 - 201 interim 60 bar eSUPPRESSOR c/w 90° ELBOW & TELESCOPIC SPREADER ASSY INSTALLATION DRAWING 11111-077.2.eSuppr
 - IR-13.1 INFRARED SPARK/FLAME DETECTOR INSTALLATION DRAWING 59431-280
 - MEX-3.2/FAB-4.1 PRESSURE DETECTOR INSTALLATION DRAWING 59431-266

IR INSTALLATION DETAIL
(APPLICABLE TO 1R1 - 4R1)



REV	DATE	REASON FOR ISSUE	DRN	CHK	APP
A	26/03/21	INTRODUCED	AS		
B	14/04/21	CONVEYOR DIMS UPDATE	AS		
C	23/04/21	LINE NAMING UPDATE	AS		



THIS DRAWING IS THE INTELLECTUAL PROPERTY OF IEP TECHNOLOGIES LTD. IT SHALL BE REPRODUCED AS A WHOLE OR PART THEREOF WITHOUT THE PRIOR WRITTEN CONSENT OF IEP TECHNOLOGIES LTD.

© IEP TECHNOLOGIES LTD

DO NOT SCALE

DRAWN		CLIENT		FILTEREX ENGINEERING	
DATE	AS	PROJECT	SLEAFORD REP	PROJECT	SLEAFORD REP
CHECKED		TITLE:	EXPLOSION SUPPRESSION AND ISOLATION SYSTEM P&ID	TITLE:	EXPLOSION SUPPRESSION AND ISOLATION SYSTEM P&ID
DATE		P.O. No.	17005-IEP-PO-01 / 18.03.2021	P.O. No.	17005-IEP-PO-01 / 18.03.2021
APPROVED		SHT	4	OF	4
DATE		DRG. No.	IEP100-2001	DRG. No.	IEP100-2001