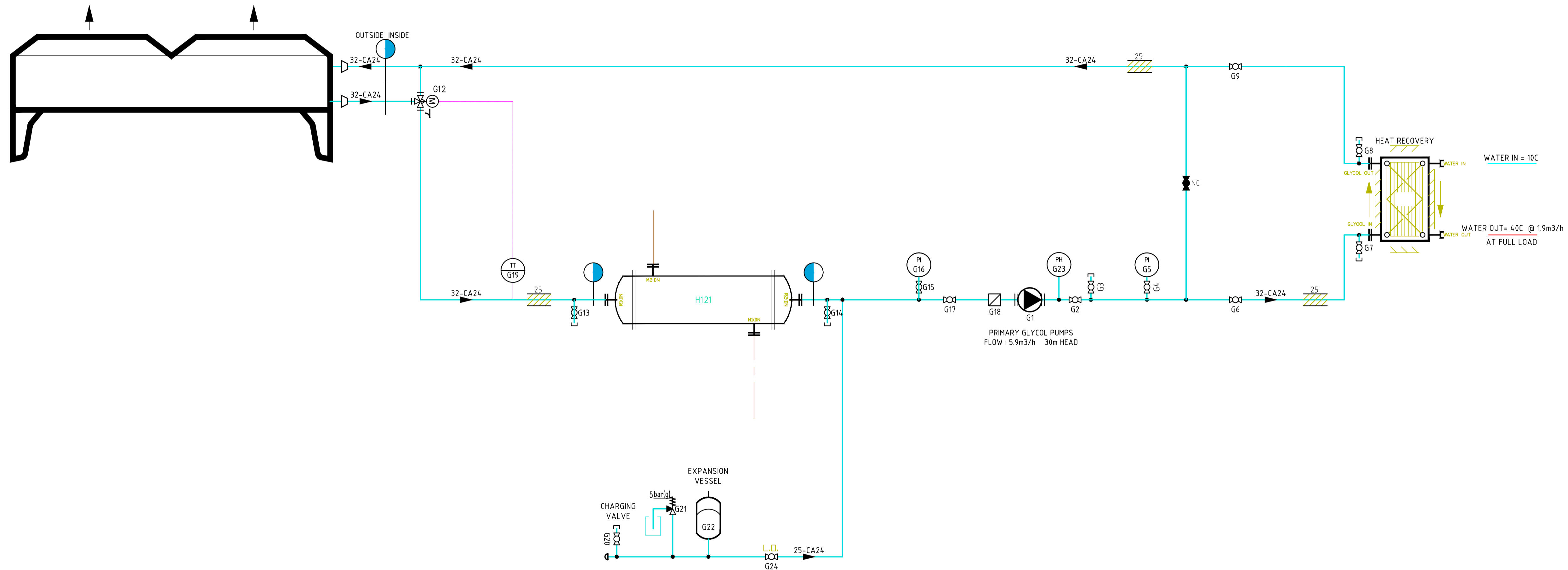


AS INSTALLED



REV.	DATE	DESCRIPTION OF REVISION	DRAWN	CHECKED	ENG. APPR'D
M 2	10/06/15	AS INSTALLED.	MRH	MH	TEP

**NOTES**

PED ASSESSMENT  
 FLUID GROUP : 2  
 PS HIGH SIDE : 5 BARG  
 CATEGORY ASSEMBLY : SEP

PRESSURE TESTING  
 STRENGTH : 6 Bar  
 TIGHTNESS : 5.5 Bar

Glycol charge : Lts

WELD PROCEDURE : ISO15614-1  
 WELD QUALIFICATION : BSEN287 INTENT  
 NDT : BUTT WELDS 10% U.T OR R.T

**PIPE LINE CODE [100-RN12]**  
 eg PIPE DN100- CONTENT NH3 - MATERIAL ASTM A106

RC REFRIGERANT CO2	11 -
RF REFRIGERANT FREON	12 C/STEEL A106 GRB SCH40
RN REFRIGERANT NH3	13 C/STEEL A333 GR6 SCH40
RM REFRIGERANT MISC	14 -
CA COOLANT A	21 S/STEEL A312/TP304L SCH10
CB COOLANT B	24 THINWALL S/STEEL EN14307
CC COOLANT C	31 COPPER

**INSTRUMENT CODES**

○ LOCAL CONTROL	⊖ REMOTE CONTROL
F FLOW	D DIFFERENCE
L LEVEL	I INDICATING
M MOISTURE/HUMIDITY	C CONTROLLING
P PRESSURE	T TRANSMITTING
Q QUALITY/DETECTION	S SWITCHING
S SPEED/FREQUENCY	Z EMERGENCY/SAFETY ACTING
T TEMPERATURE	A ALARM

WARNING = FOR SERVICING ONLY. REFER TO O&M FOR OPERATION.

⊘ GLOBE VALVE - ANGLED	⊘ PILOT OPERATED VALVE	⊘ MOTOR BUTTERFLY VALVE
⊘ GLOBE VALVE - STRAIGHT	⊘ FLOW CONTROL VALVE	⊘ BUTTERFLY VALVE
⊘ GLOBE VALVE - CLOSED	⊘ SOLENOID VALVE	⊘ MOTOR BALL VALVE
⊘ STOP / CHECK VALVE VALVE	⊘ PNEUMATIC VALVE	⊘ REDUCER - ECCENTRIC
⊘ REGULATING VALVE - ANGLED	⊘ MOTOR VALVE	⊘ REDUCER - CONCENTRIC
⊘ REGULATING VALVE - STRAIGHT	⊘ GAS OPERATED (P32)	⊘ END CAP
⊘ 3 WAY VALVE	⊘ 3 WAY ACTUATED	⊘ VALVE BLIND NUT
⊘ SAFETY RELIEF VALVE - ANGLED	⊘ CHECK VALVE STRAIGHT	⊘ ELECTRIC HEATING
⊘ SAFETY RELIEF VALVE - STRAIGHT	⊘ CHECK VALVE ANGLE	⊘ FILTER DRIER
⊘ DEADMANS DRAIN VALVE [CLOSED]	⊘ BASKET STRAINER / FILTER	⊘ SIGHT GLASS
		⊘ SIGHT GLASS - OIL FILLED

THE INFORMATION HEREON IS CONFIDENTIAL AND MAY NOT BE REPRODUCED OR DIVULGED WITHOUT THE WRITTEN PERMISSION OF GEA REFRIGERATION LTD

**GEA Greco**  
 GEA Refrigeration UK Ltd  
 Unit 9, Conqueror Court  
 Valium Drive, Sittingbourne  
 Kent, ME10 5BH  
 Telephone: +44 (0) 1795 514630  
 www.gearefrigeration.co.uk

SIZE: A1  
 SCALE:  
 STATUS: 4

PROJECT: MELTON FOODS FACTORY EXTENSION  
 CLIENT: MELTON FOODS  
 TITLE: PIPING & INSTRUMENT DIAGRAM  
 GLYCOL

DRAWING No. 50006-001-1-01-FS002  
 SHEET NO. 01 of 01  
 REV No. 2