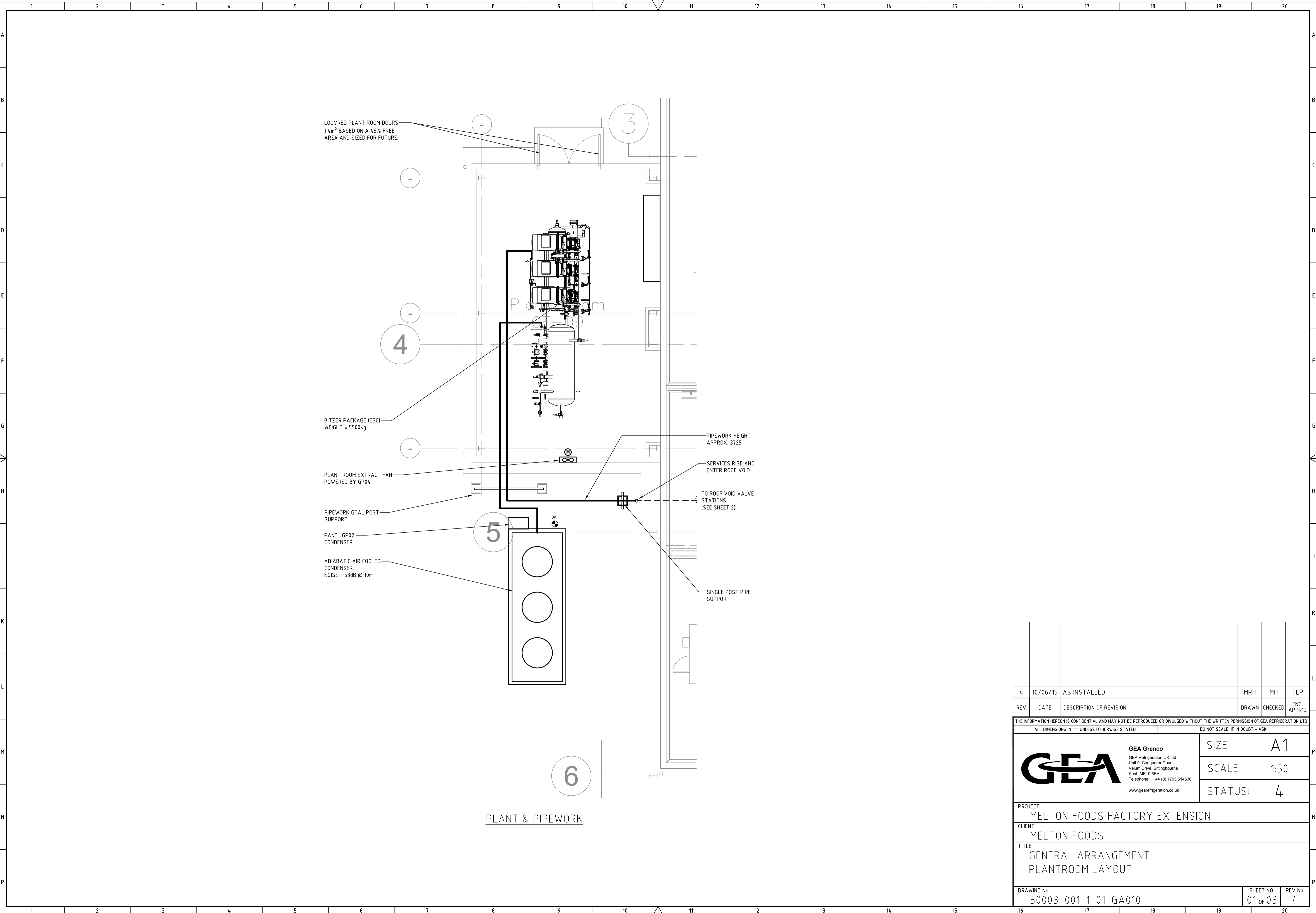
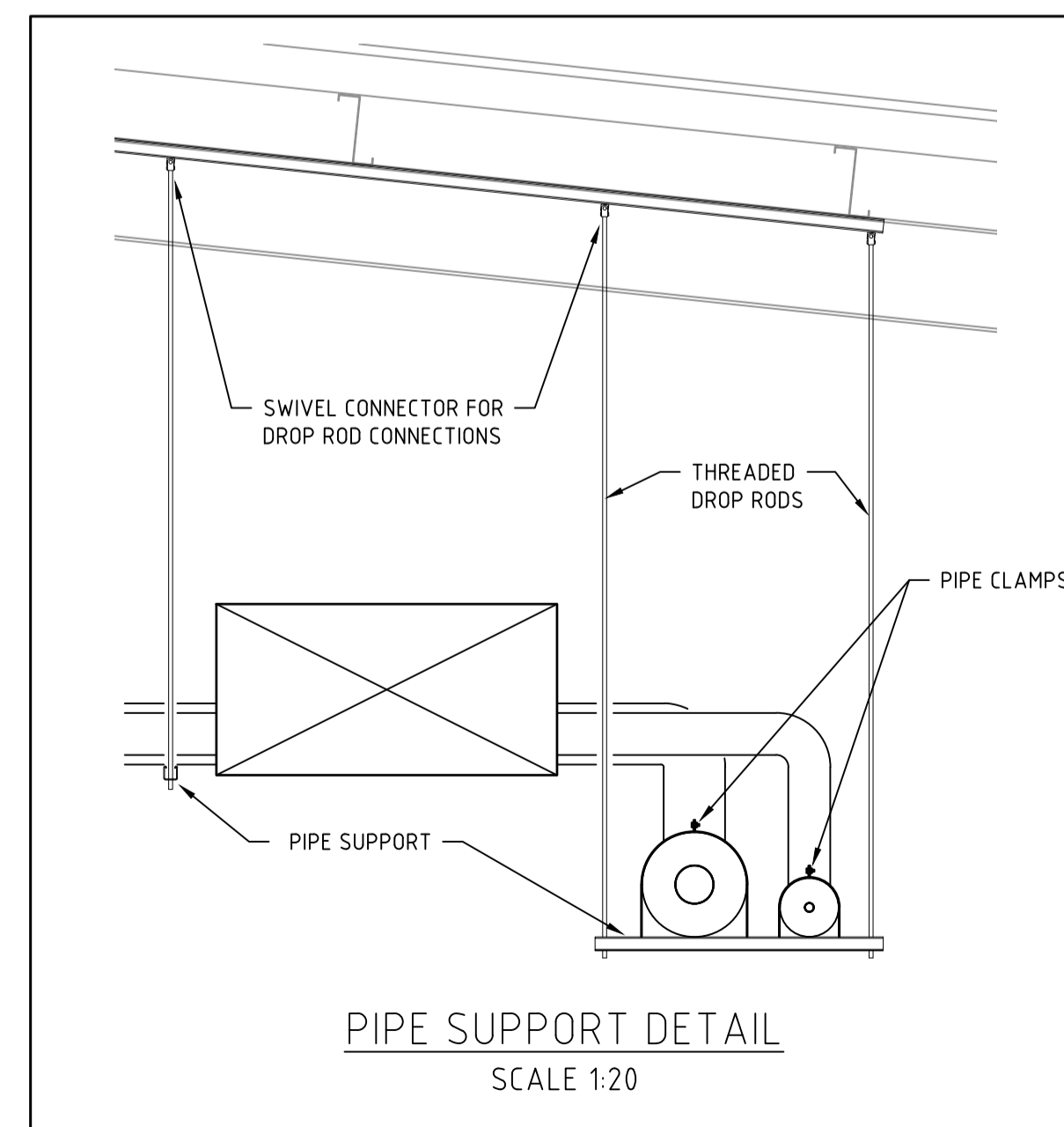
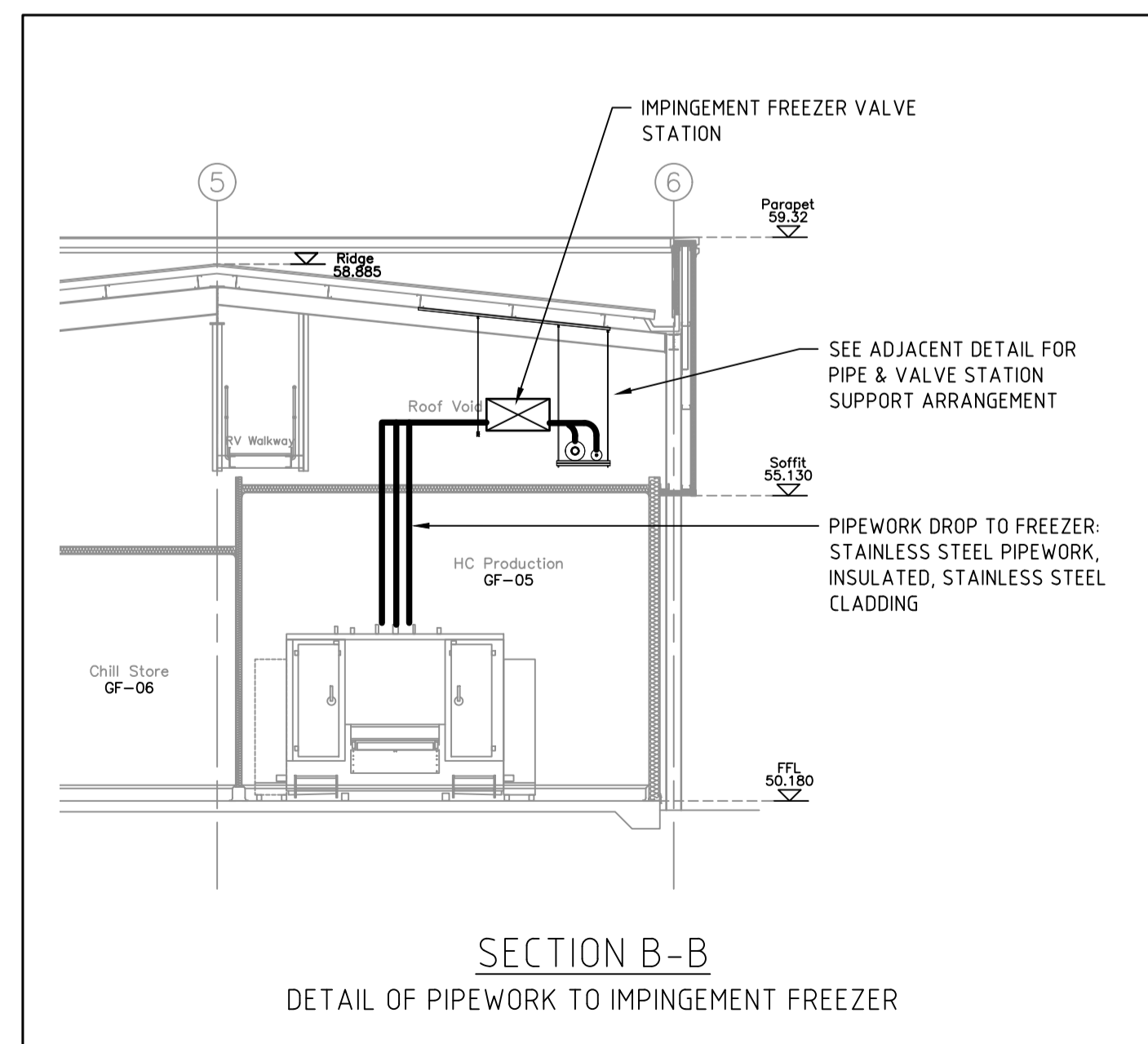
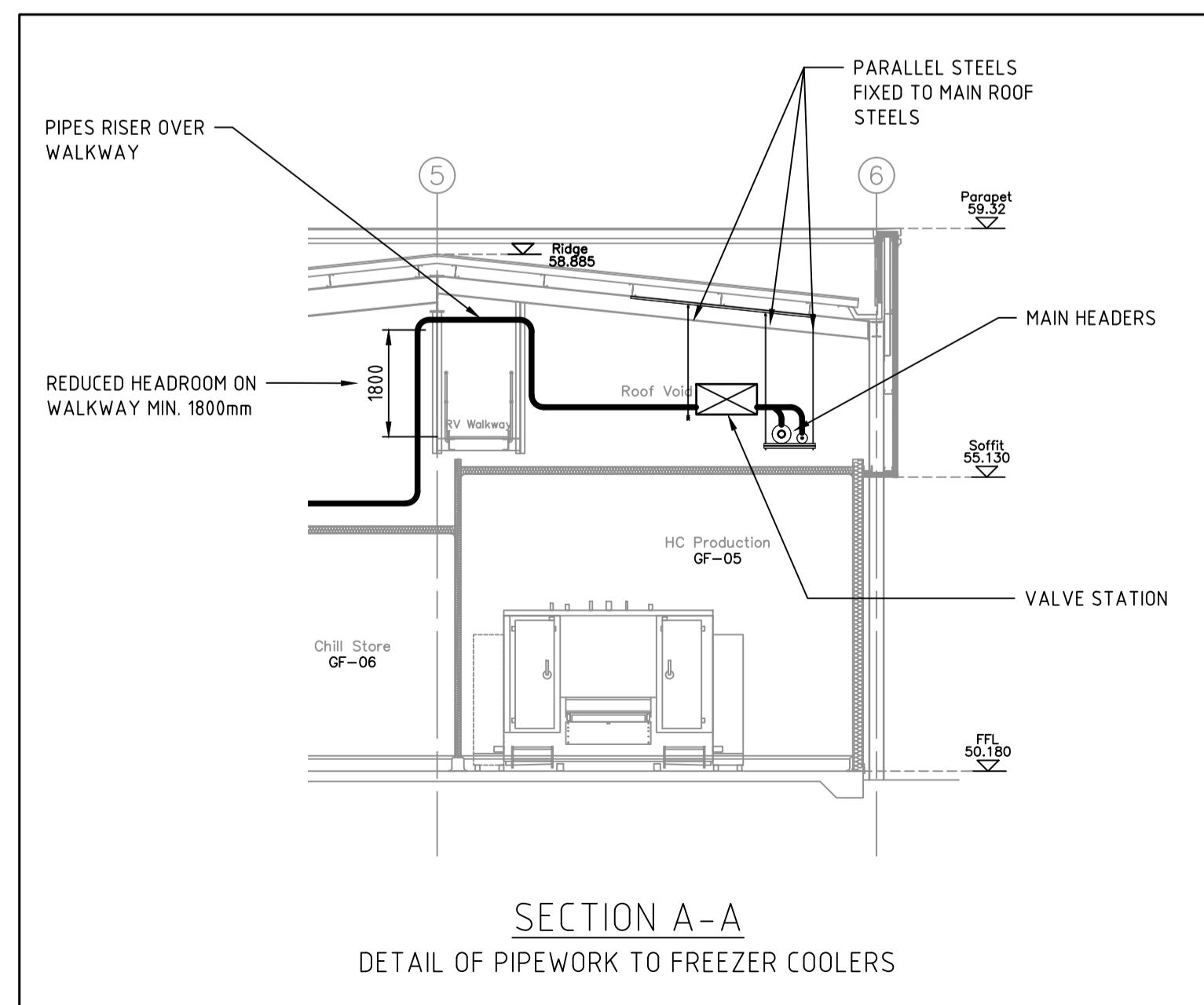
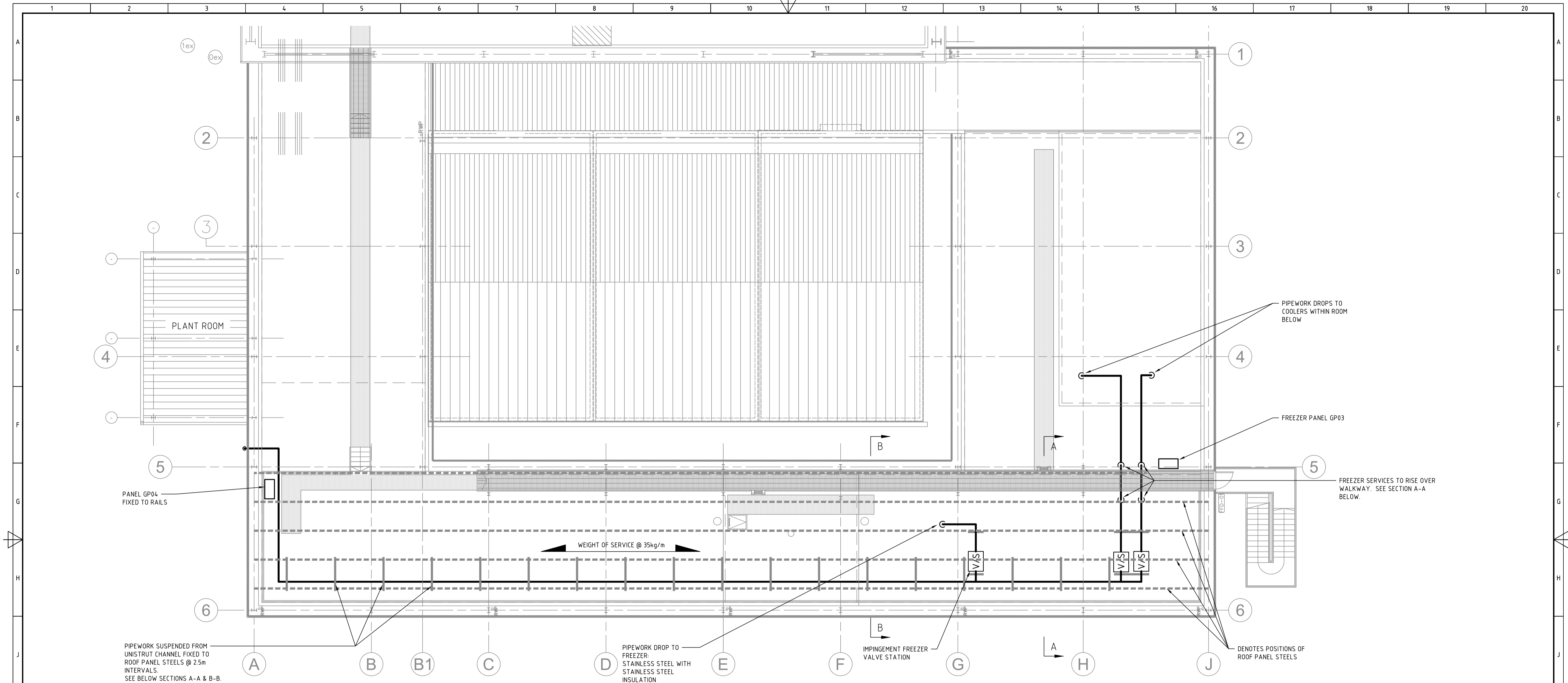


AS INSTALLED



4	10/06/15	AS INSTALLED.	MRH	MH	TEP
REV.	DATE	DESCRIPTION OF REVISION	DRAWN	CHECKED	ENG. APPROV'D
THE INFORMATION HEREON IS CONFIDENTIAL AND MAY NOT BE REPRODUCED OR DIVULGED WITHOUT THE WRITTEN PERMISSION OF GEA REFRIGERATION LTD					
ALL DIMENSIONS IN mm UNLESS OTHERWISE STATED			DO NOT SCALE, IF IN DOUBT - ASK		
GEA		GEA Greco GEA Refrigeration UK Ltd Unit 9, Conqueror Court Velum Drive, Sittingbourne Kent, ME10 9BH Telephone: +44 (0) 1795 514630 www.gearefrigeration.co.uk	SIZE:	A1	
			SCALE:	1:50	
			STATUS:	4	
PROJECT MELTON FOODS FACTORY EXTENSION					
CLIENT MELTON FOODS					
TITLE GENERAL ARRANGEMENT PLANTROOM LAYOUT					
DRAWING No. 50003-001-1-01-GA010			SHEET NO. 01 of 03	REV No. 4	

AS INSTALLED

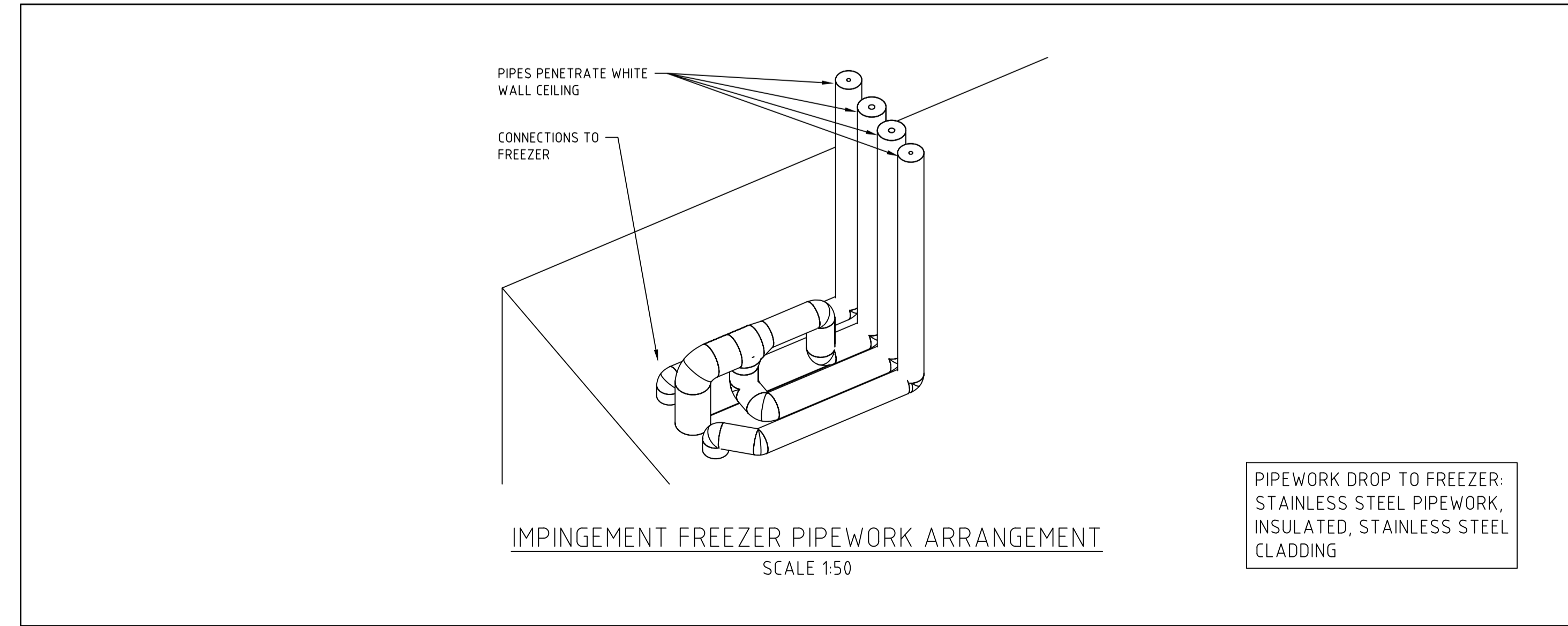
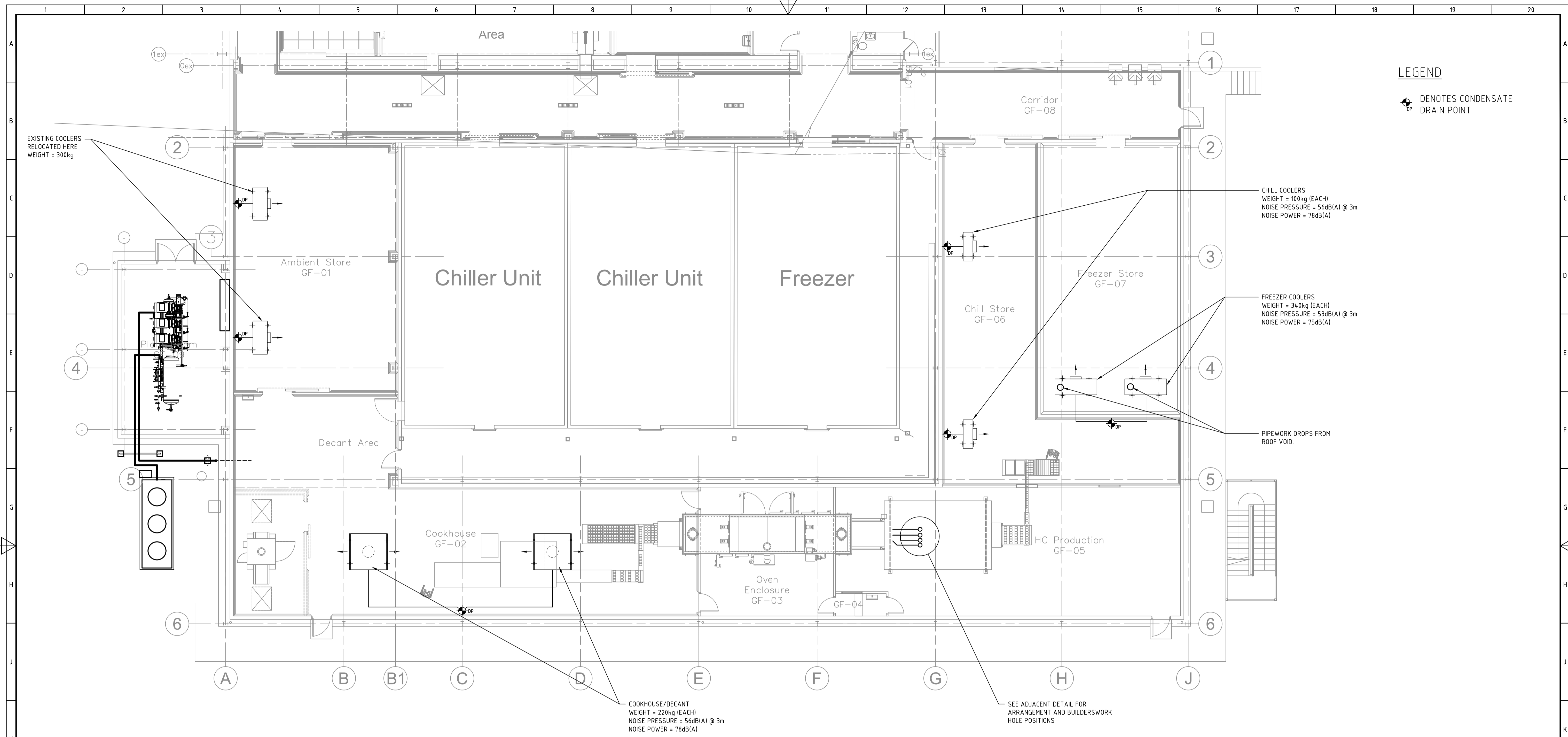


4	10/06/15	AS INSTALLED.	MRH	MH	TBP
REV.	DATE	DESCRIPTION OF REVISION	DRAWN	CHECKED	ENG. APPR'D
THE INFORMATION HEREON IS CONFIDENTIAL AND MAY NOT BE REPRODUCED OR DIVULGED WITHOUT THE WRITTEN PERMISSION OF GEA REFRIGERATION LTD					
ALL DIMENSIONS IN mm UNLESS OTHERWISE STATED			DO NOT SCALE, IF IN DOUBT - ASK		
PROJECT		MELTON FOODS FACTORY EXTENSION			
CLIENT		MELTON FOODS			
TITLE		GENERAL ARRANGEMENT SERVICES TO COOLERS IN ROOF VOID			
DRAWING No.		50003-001-1-01-GA010		SHEET NO. 02 of 03	
				REV No. 4	



SIZE: A1
 SCALE: 1:100
 STATUS: 4

AS INSTALLED



REV.	DATE	DESCRIPTION OF REVISION	DRAWN	CHECKED	ENG. APPR'D
4	10/06/15	AS INSTALLED.	MRH	MH	TEP
THE INFORMATION HEREON IS CONFIDENTIAL AND MAY NOT BE REPRODUCED OR DIVULGED WITHOUT THE WRITTEN PERMISSION OF GEA REFRIGERATION LTD ALL DIMENSIONS IN mm UNLESS OTHERWISE STATED DO NOT SCALE, IF IN DOUBT - ASK					
GEA Greco GEA Refrigeration UK Ltd Unit 9, Conqueror Court Vekum Drive, Sittingbourne Kent, ME10 9BH Telephone: +44 (0) 1795 514630 www.gearefrigeration.co.uk			SIZE: A1 SCALE: 1:100 STATUS: 4		
PROJECT: MELTON FOODS FACTORY EXTENSION CLIENT: MELTON FOODS TITLE: GENERAL ARRANGEMENT COOLER POSITIONS & WEIGHTS					
DRAWING No. 50003-001-1-01-GA010			SHEET NO. 03 of 03		REV No. 4