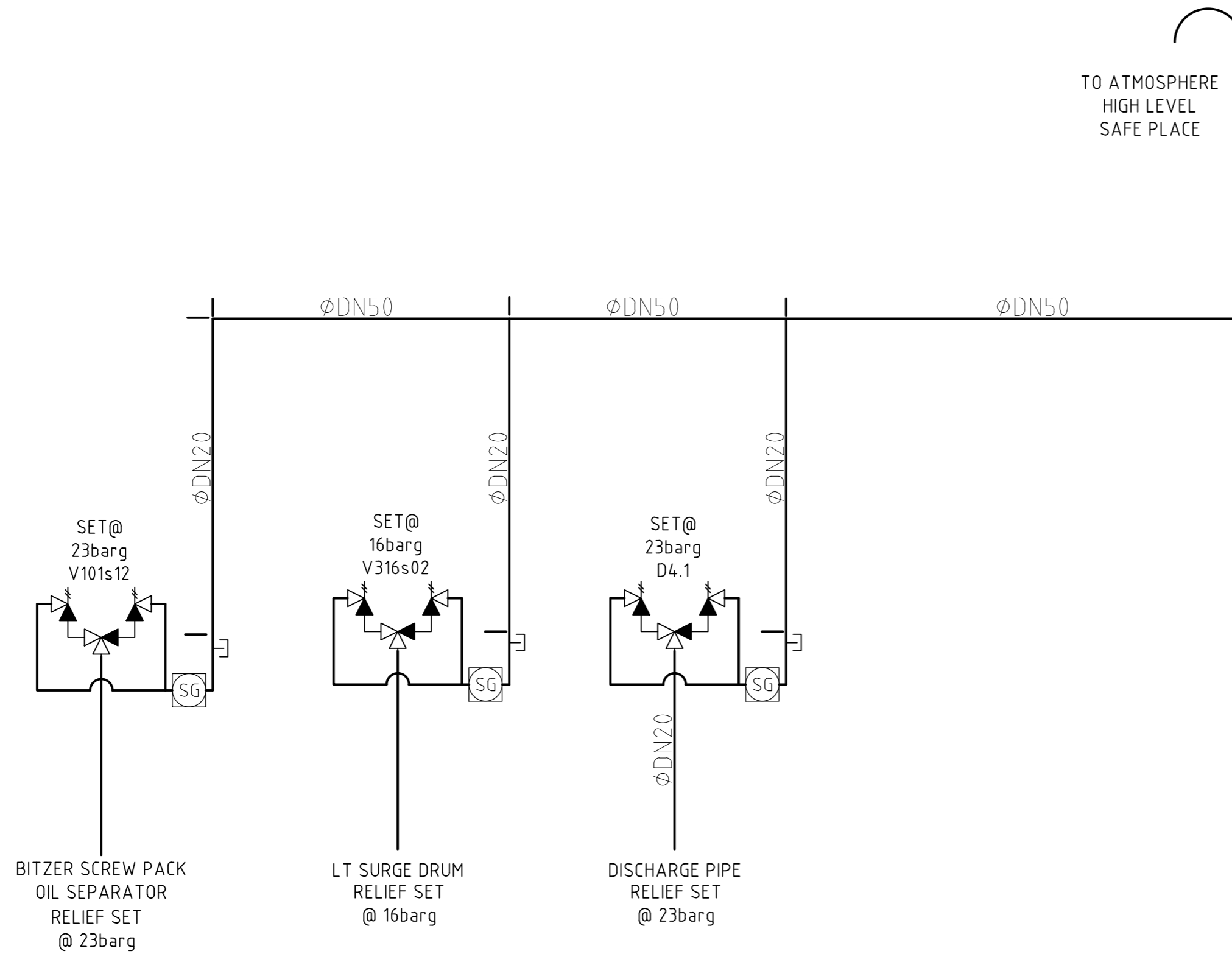
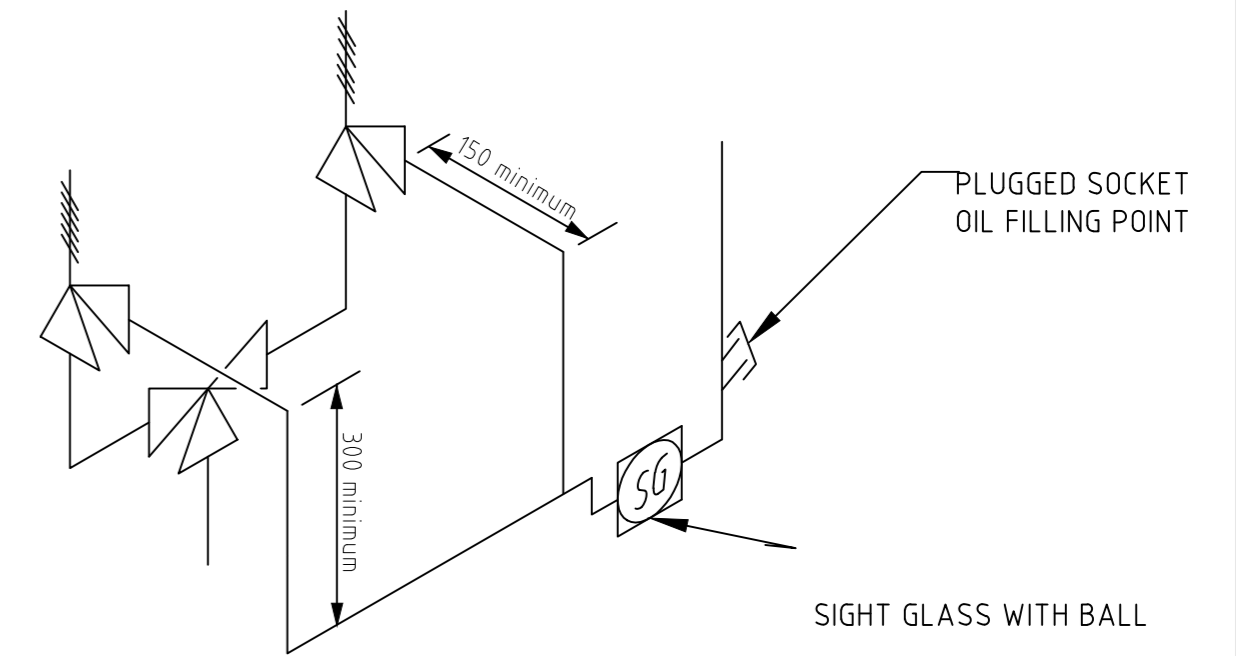


AS INSTALLED

NH3 RELIEF LINES



PIPEWORK SPECIFICATIONS
 MATERIAL SPEC: ASTM A106 GRB
 DIMENSION SPEC: ANSI B.3610 SCH40
 WELDING IN ACCORDANCE WITH BSEN287
 & EN ISO 15614-1:2004 PART1



FOR STEEL PIPE WORK

1	10/06/15	AS INSTALLED.	MRH	MH	TEP
REV.	DATE	DESCRIPTION OF REVISION	DRAWN	CHECKED	ENG. APPR'D

THE INFORMATION HEREON IS CONFIDENTIAL AND MAY NOT BE REPRODUCED OR DIVULGED WITHOUT THE WRITTEN PERMISSION OF GEA REFRIGERATION LTD

ALL DIMENSIONS IN mm UNLESS OTHERWISE STATED		DO NOT SCALE, IF IN DOUBT - ASK	
<p style="font-size: x-small; margin-top: 5px;">GEA Greenco GEA Refrigeration UK Ltd Unit 9, Conqueror Court Velum Drive, Sittingbourne Kent, ME10 5BH Telephone: +44 (0) 870 600 1200 www.gearefrigeration.co.uk</p>	TENDER		SIZE
	PROVISIONAL		A2
	FOR CONSTRUCTION		SCALE
	AS INSTALLED	X	NTS

PROJECT
MELTON FOODS FACTORY EXTENSION

CLIENT
MELTON FOODS

TITLE
PIPING & INSTRUMENTATION DIAGRAM
HP/LP RELIEF LINES

DRAWING No. 50006-001-1-01-FS003	SHEET NO. 01 OF 01	REV No. 1
-------------------------------------	-----------------------	--------------