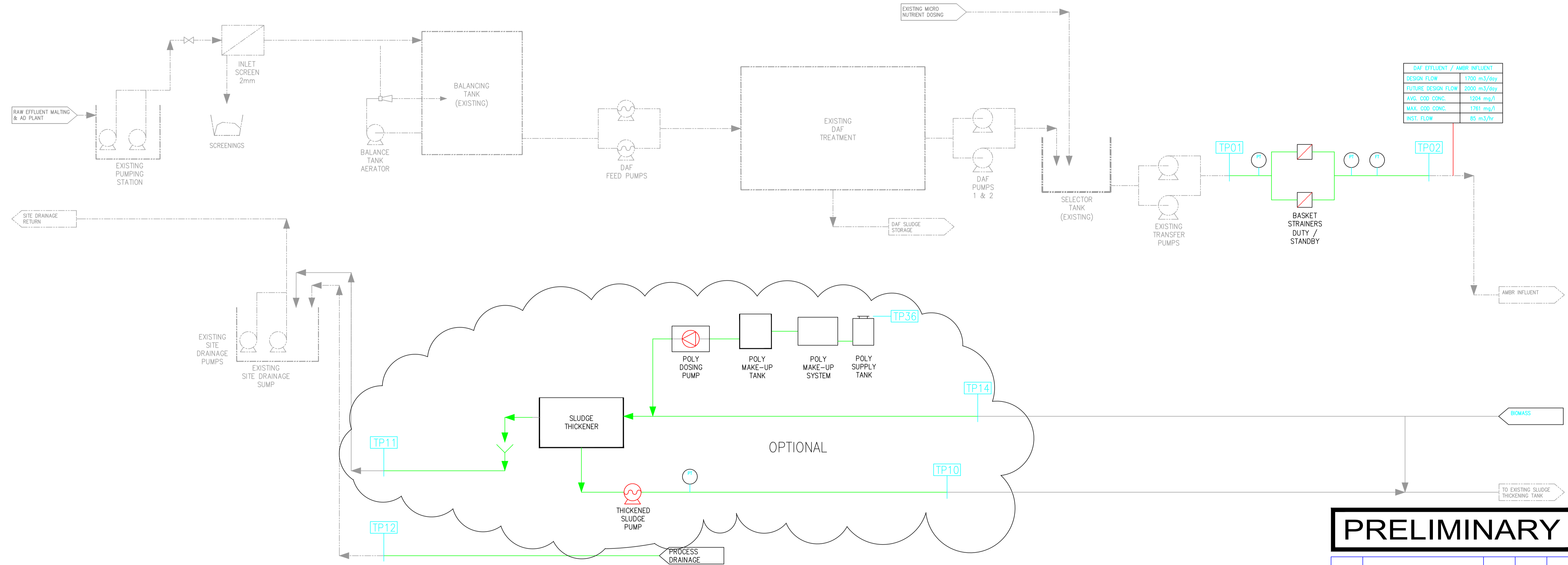


DO NOT SCALE



DAF EFFLUENT / AMBR INFLUENT	
DESIGN FLOW	1700 m ³ /day
FUTURE DESIGN FLOW	2000 m ³ /day
AVG. COD CONC.	1204 mg/l
MAX. COD CONC.	1761 mg/l
INST. FLOW	85 m ³ /hr

PRELIMINARY

Rev No	Revision note	Date	By	Approved
4	RE-ISSUED FOR TENDER T003	21/02/20	CA	DEY
3	RE-ISSUED FOR TENDER T002	05/02/20	CA	IM
2	RE-ISSUED FOR TENDER T002	17/01/20	ANF	IM
1	RE-ISSUED FOR TENDER T001	16/04/19	ANF	IM

Aquabio Limited
 Ball Mill Top Business Park, Hallow,
 Worcester, WR2 6LS
 Tel:- +44(0) 1905 641966
 email:- info@aquabio.co.uk

Aquabio Ltd is part of the Freudenberg Filtration Technology group of companies

This document contains proprietary information and is the property of Aquabio Ltd. It shall not be copied, reproduced, transmitted or communicated to third parties without explicit permission in writing, of Aquabio Ltd. Aquabio Ltd - Registered No 3379754 England

Client: **Muntons Malt - WWRP**

Title: **PROCESS FLOW DIAGRAM (SHEET 1)**

Drawing No	Rev.	Sheet	Scale	A1
P4964-P001	4	1 OF 1	NTS	A1