

Supporting Document to 210901 WR334

Plans & Sections of the proposed Impounding Works

Figure 1: Side elevation

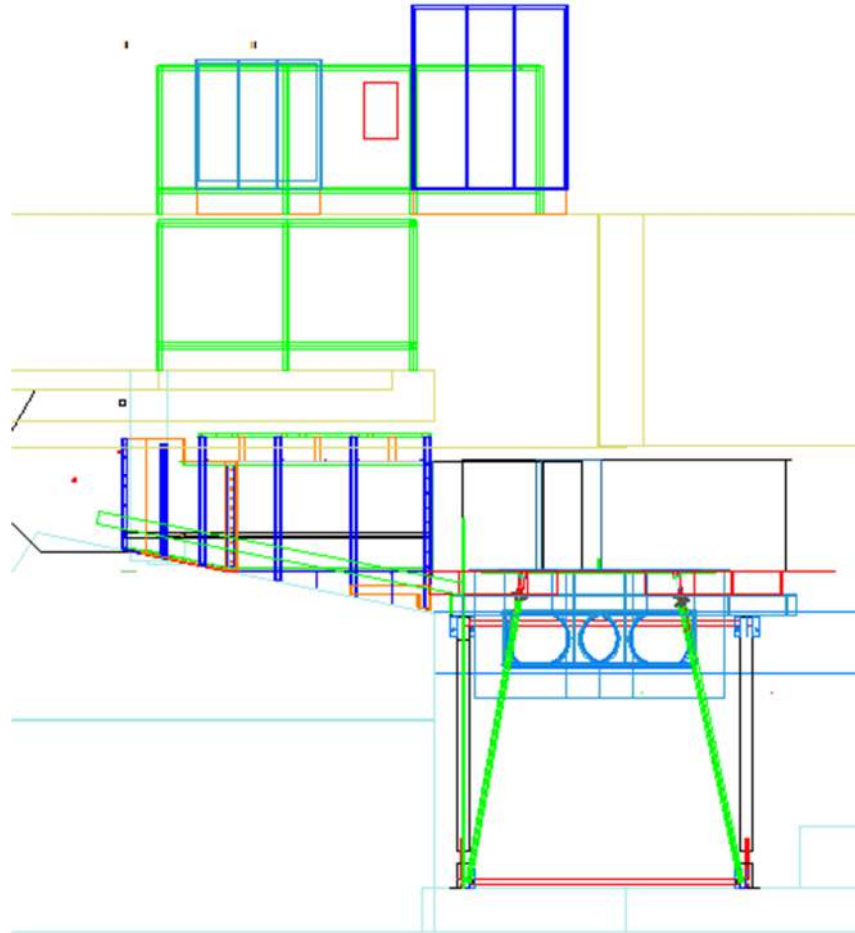


Figure 2: Plan View

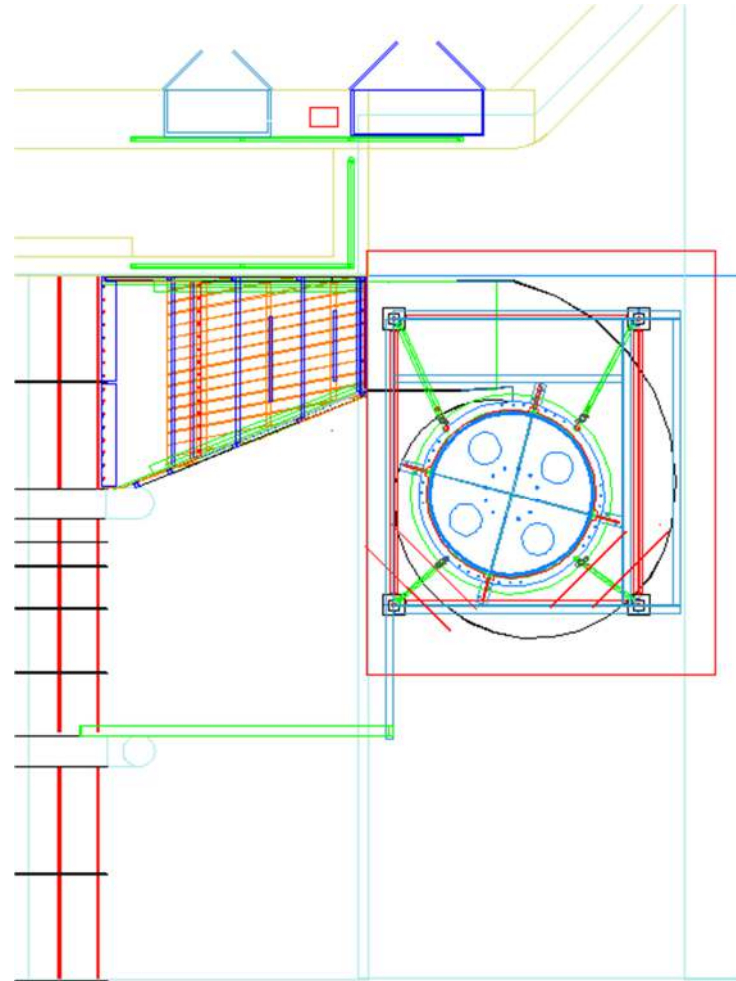
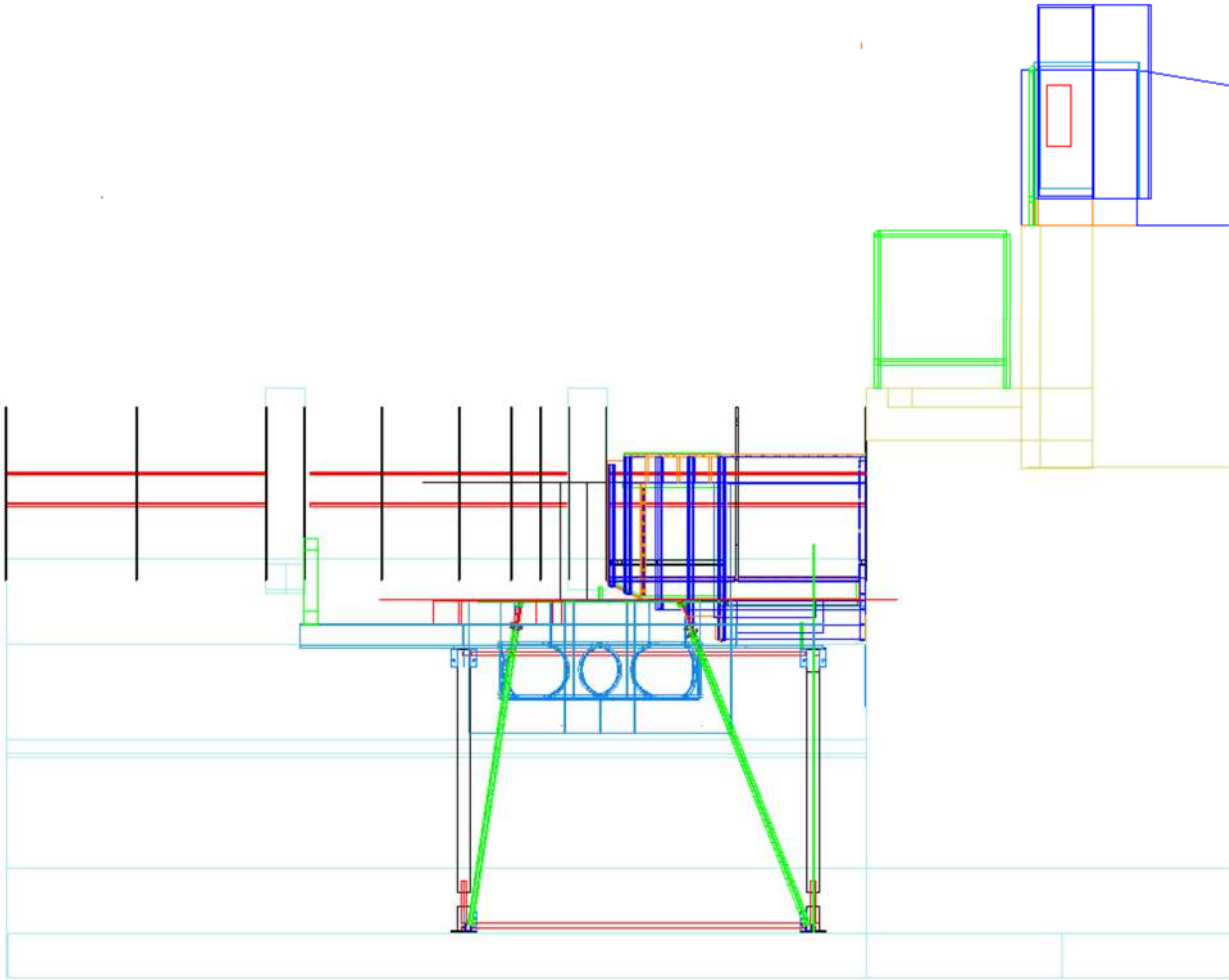
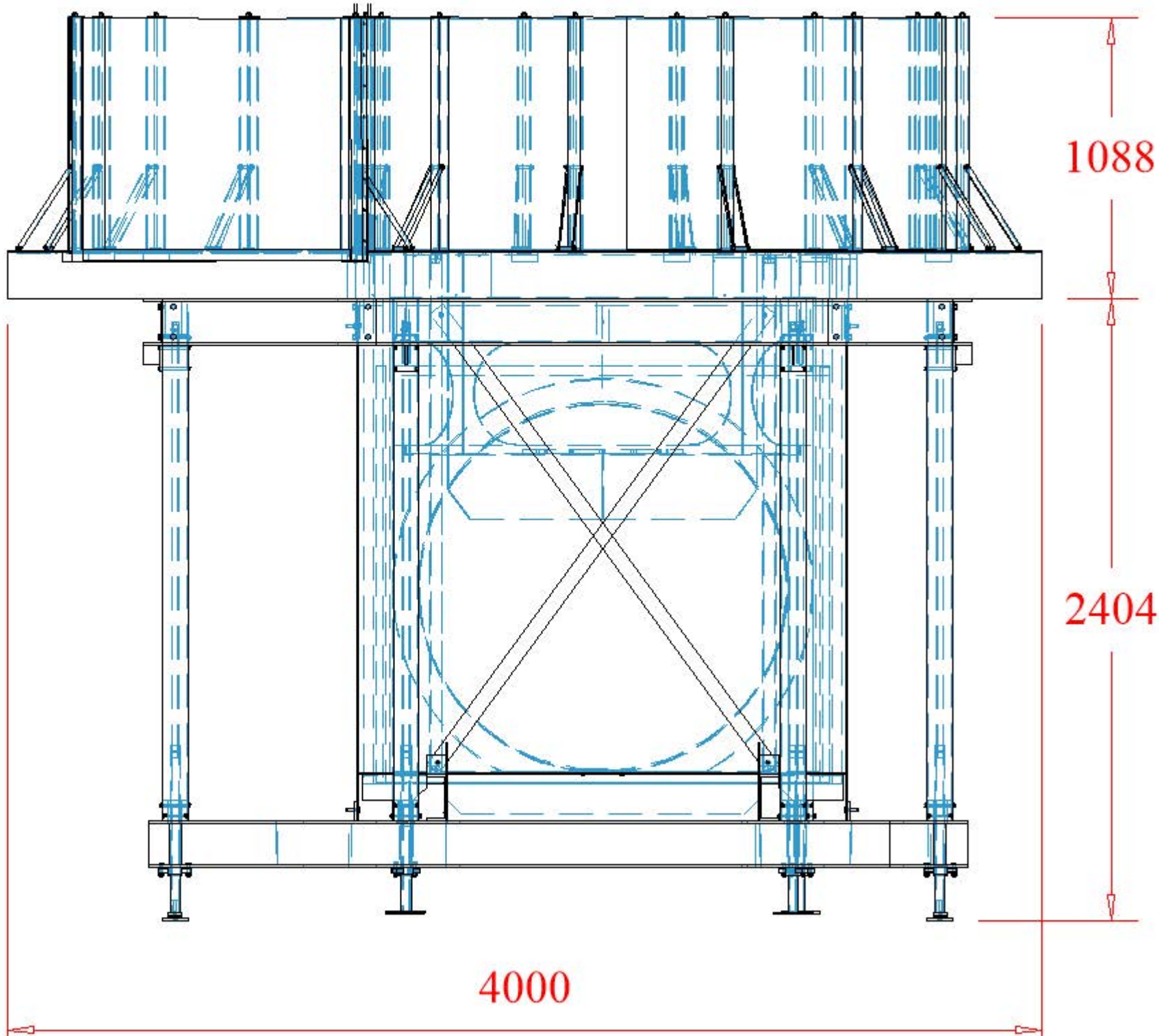
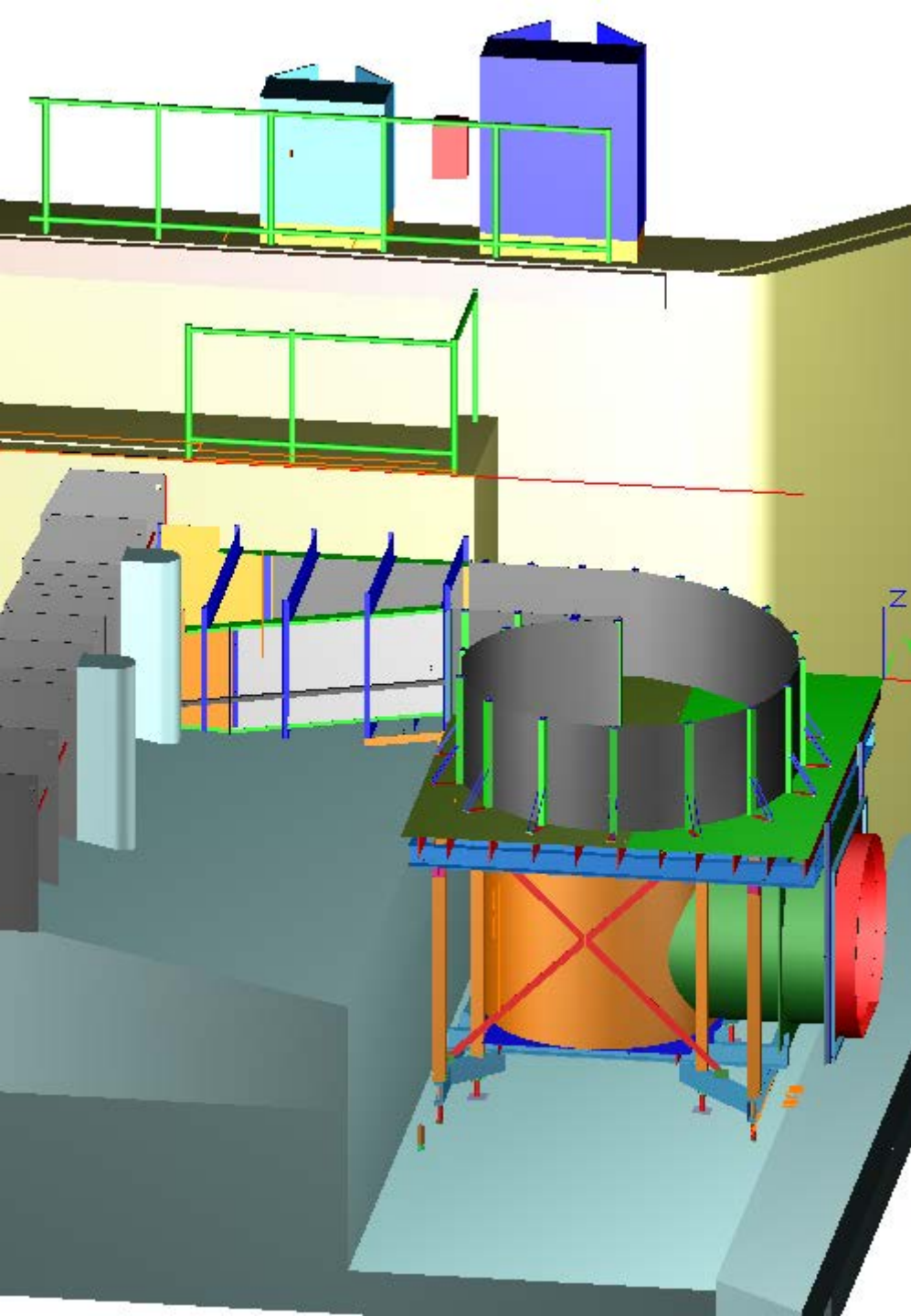


Figure 3: Section View (Looking towards the baffle / stilling basin)

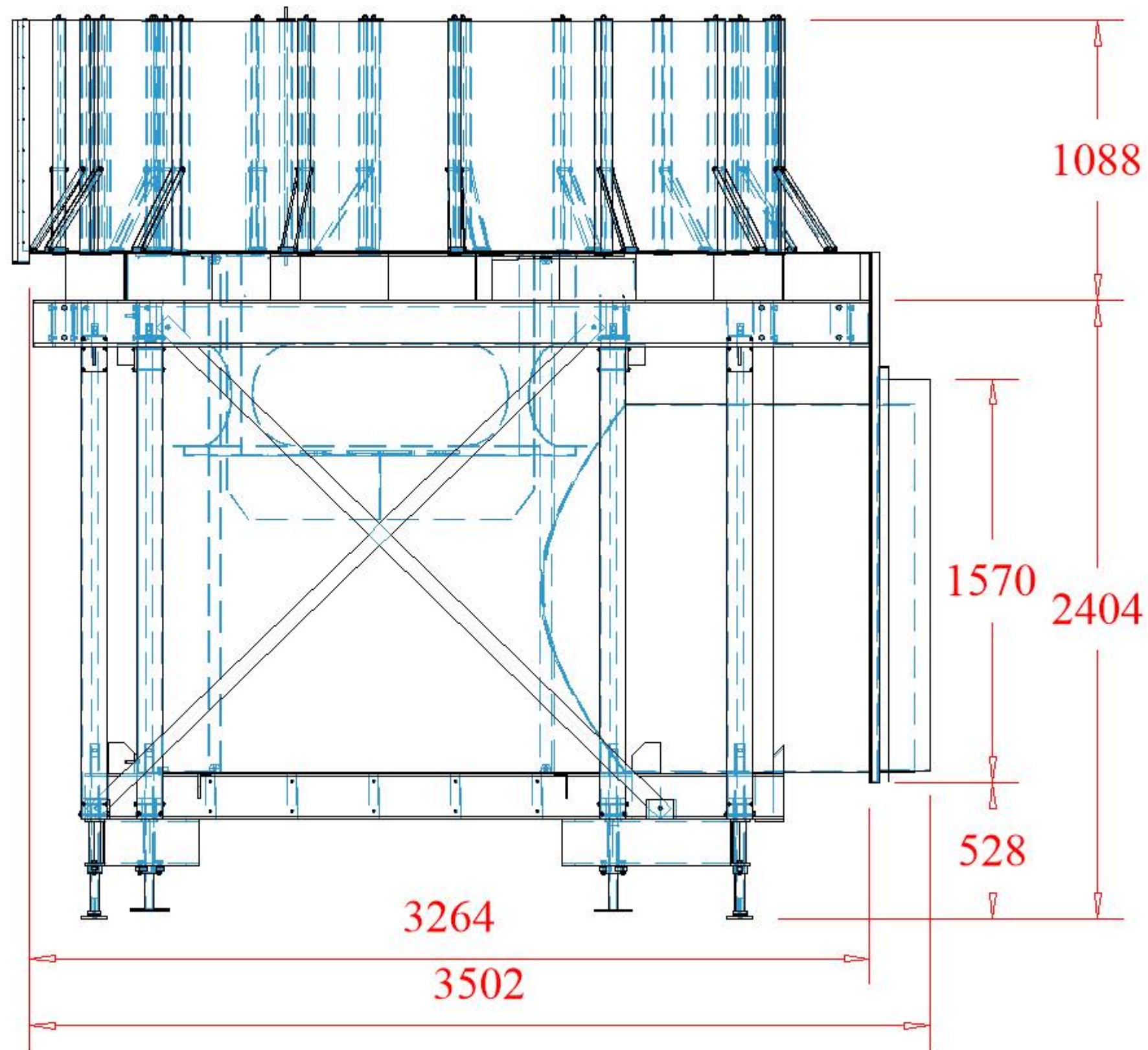


FRONT ELEVATION

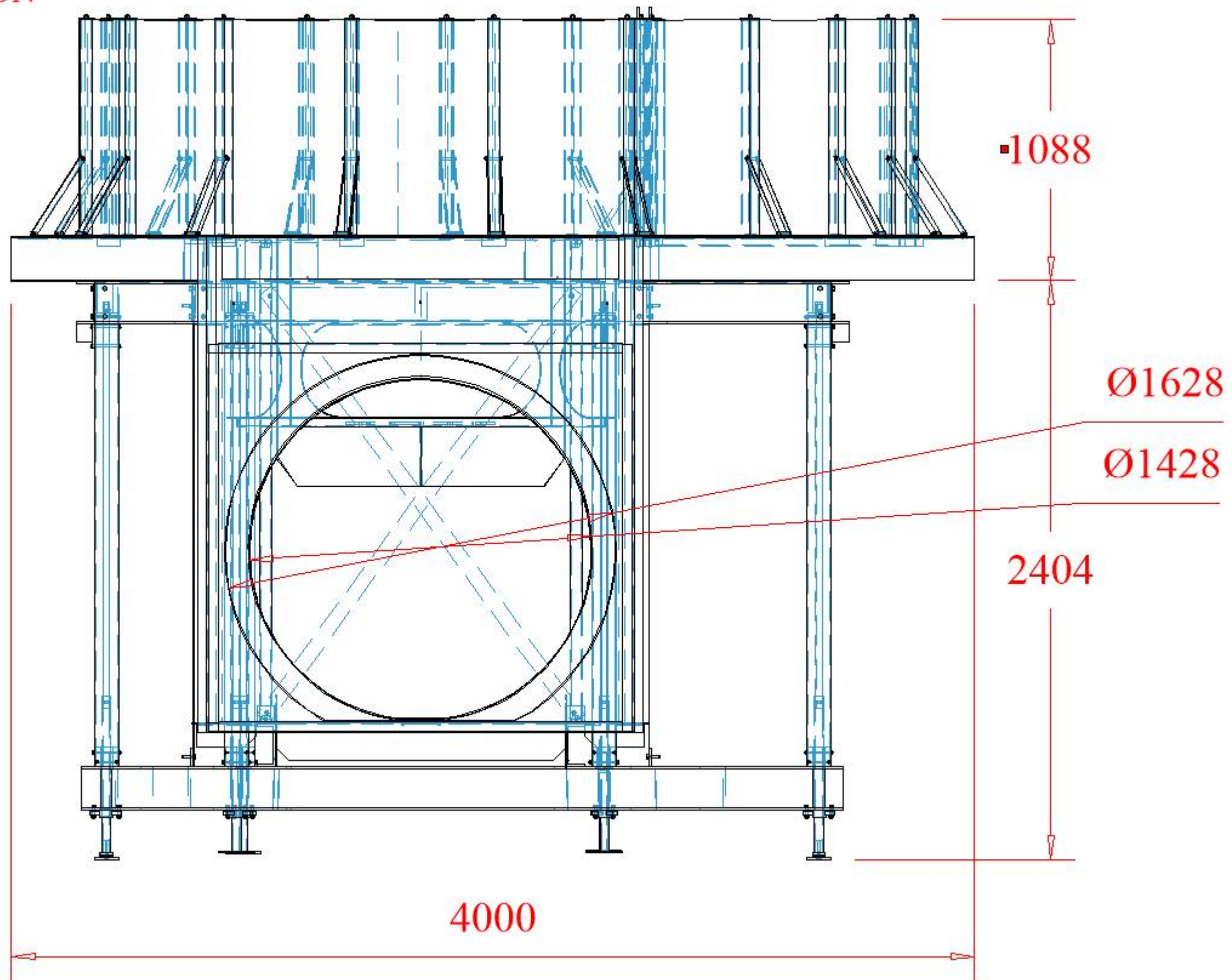


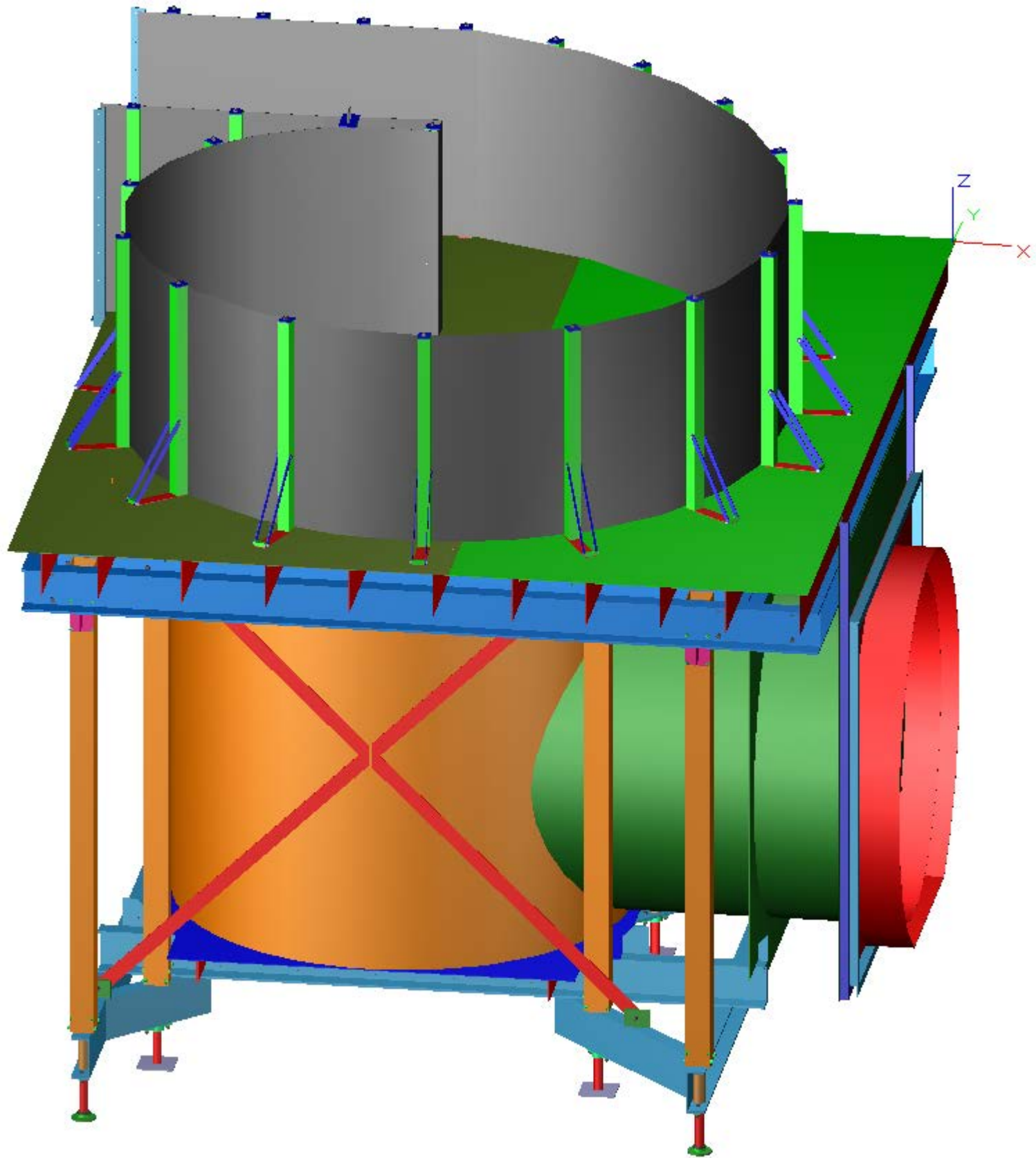


SIDE ELEVATION



REAR ELEVATION





PLAN VIEW

