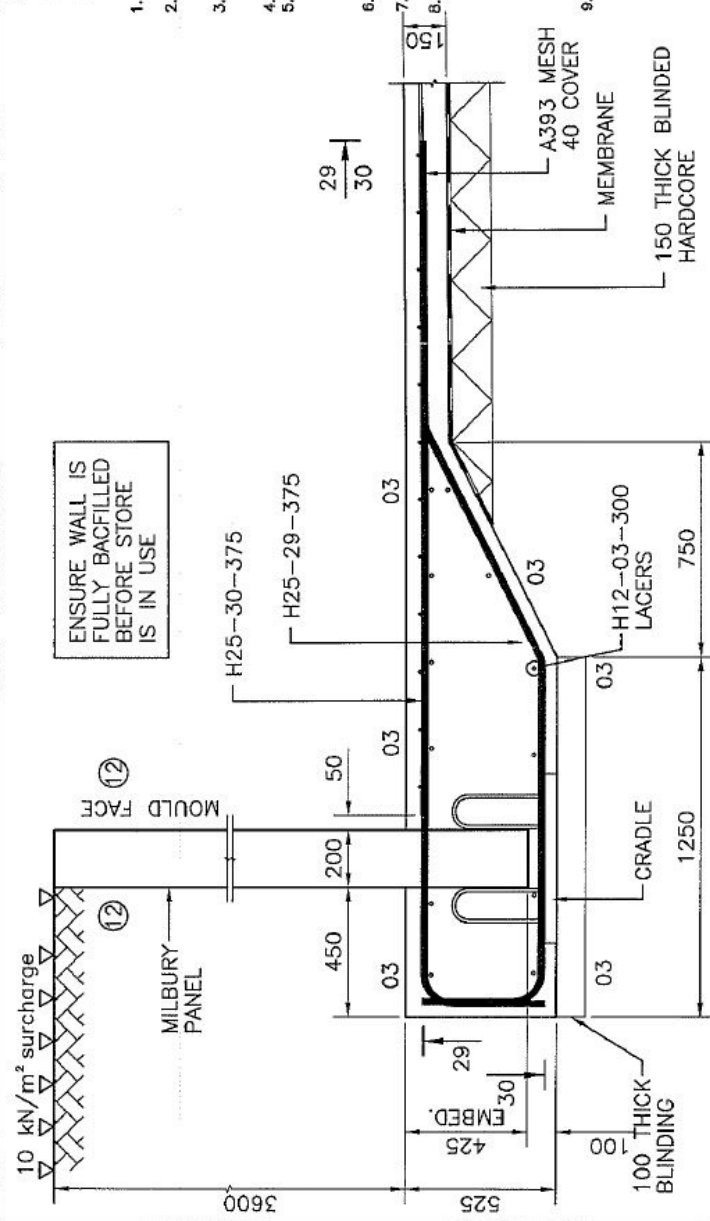


©Copyright
This drawing is the property of Milbury Systems Ltd and should not be reproduced in whole or in part without express written permission of Milbury Systems Ltd.

NOTES

1. Minimum GBP at underside of foundation level - 125kN/m².
2. Backfill to be granular and free-draining. Backfill to be compacted evenly behind wall in layers not exceeding 300mm.
3. Positive drainage system shall be provided behind wall by others as this wall has NOT been designed for hydrostatic pressure.
4. Max. allowable surcharge - 10kN/m².
5. Cover to reinforcement to be 40mm (very severe). Minimum reinforcement laps U.N.O:-
H12 - 480mm
H10 - 400mm
H16 - 640mm
H25 - 1000mm
H32 - 1280mm
6. Founding material to be cohesive undisturbed U.N.O.
7. These walls are designed in accordance with MSL's interpretation of BS8110 & BS8002 Foundation concrete Specification to BSEN206-1:- Min. exposure class - XC4, XS2, XD3, XF1, XA1. Minimum strength class (found & blind):- C35/45 Max Aggregate size - 20mm max. Slump Class - S2 (50-90mm) W/C Ratio - 0.55 Minimum cementitious content - 350 kg/m³ Pump mixes will be supplier designed, maintaining the strength class noted above.
9. Tolerances:-
Panels - (To BS8110 Pt1 1997 Cl. 6.2.8.3) Length, Width & Thickness +/- 6mm Straightness +/- 6mm Squaredness +/- 6mm Finished Wall - (To BS5606 1990) Plan position in relation to nearest reference line +/- 14mm. Verticality - <3m-11mm, <7m-14mm. Abrupt changes in a continuous surface (not to BS5606) +6mm.
10. Please check with MSL if temporary support is required when backfilling walls tied into top slab.

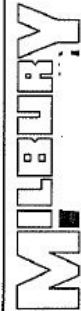


TYPICAL SECTION

SCALE 1:20

B	MOULD FACE ADDED, NOTES, STRANDS AND BAR Mk. 30 REVISED	10.08	HM	KFD
A	REINFORCEMENT REVISED	11.06	HM	KFD
Rev.	Description	Date	By	Chk'd

Drawing Status
 PRELIMINARY
 CONSTRUCTION
 APPROVAL
 AS BUILT



Title:
6m HIGH BACKFILLED CANTILEVER FOUNDATION DETAIL

Contract:	VERTICAL SLURRY STORE
Drawn:	HM
Checked:	KFD
Date:	JAN 06
Dwg No:	11-SLU
Rev:	B
Scale:	AS SHOWN
	©A4