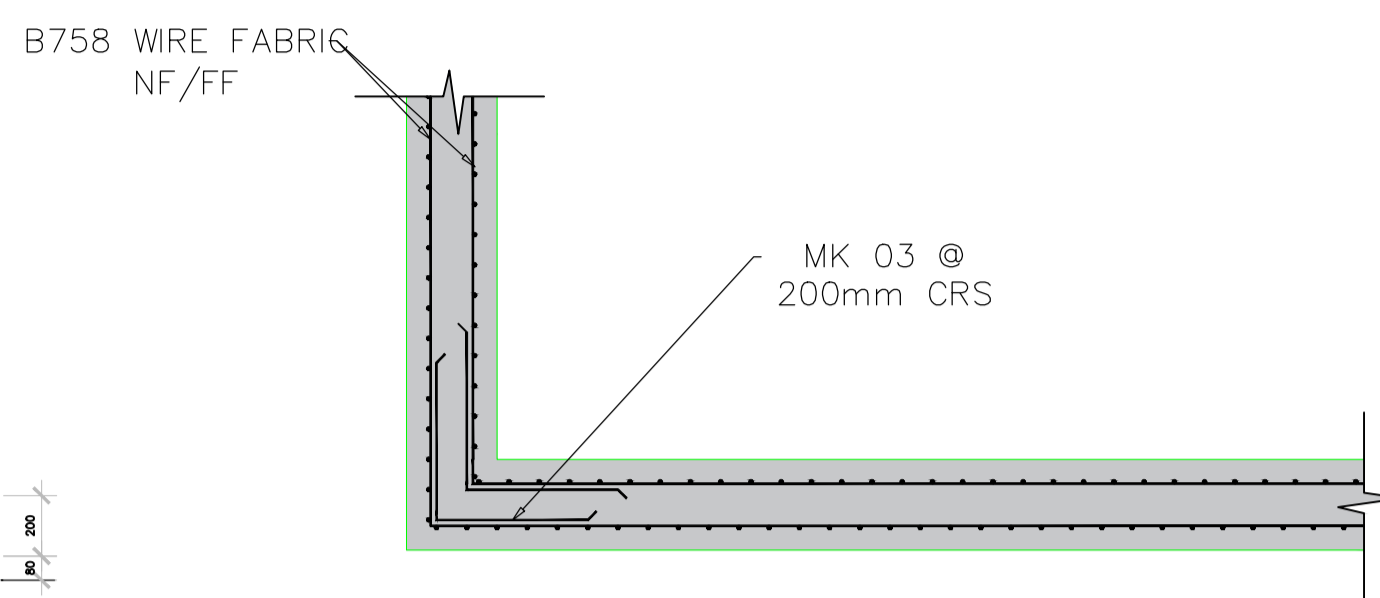


TYPICAL SECTION THROUGH WALL & BASE SLAB - Scale 1 : 25

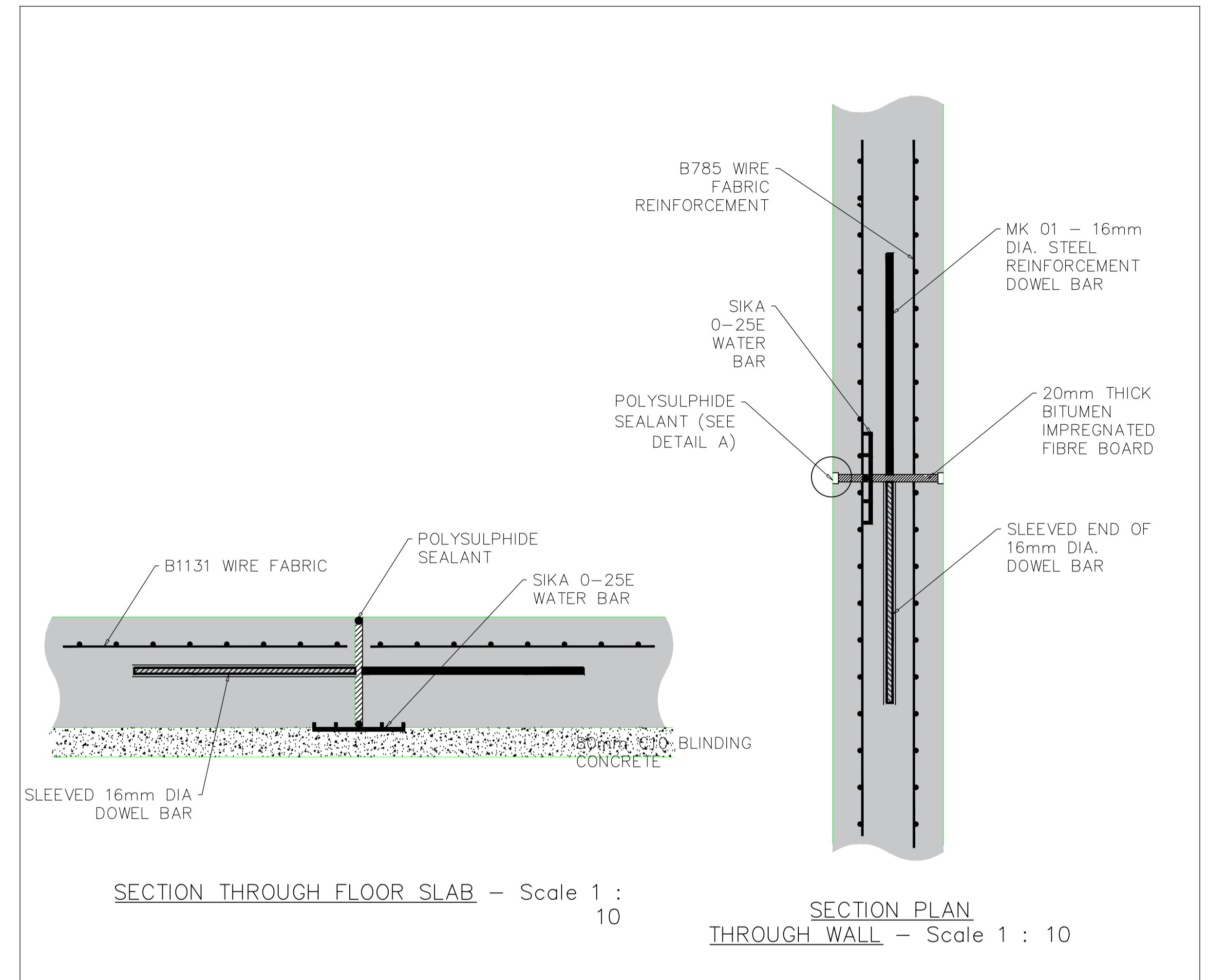


SECTIONAL PLAN - CORNER OF WALL - Scale 1 : 25

Proposed cast in-situ concrete walling. To be constructed around Southeast perimeter of the site to create an impermeable containment bund, calculations for installation provide for 110% tank content retention and 250mm freeboard.

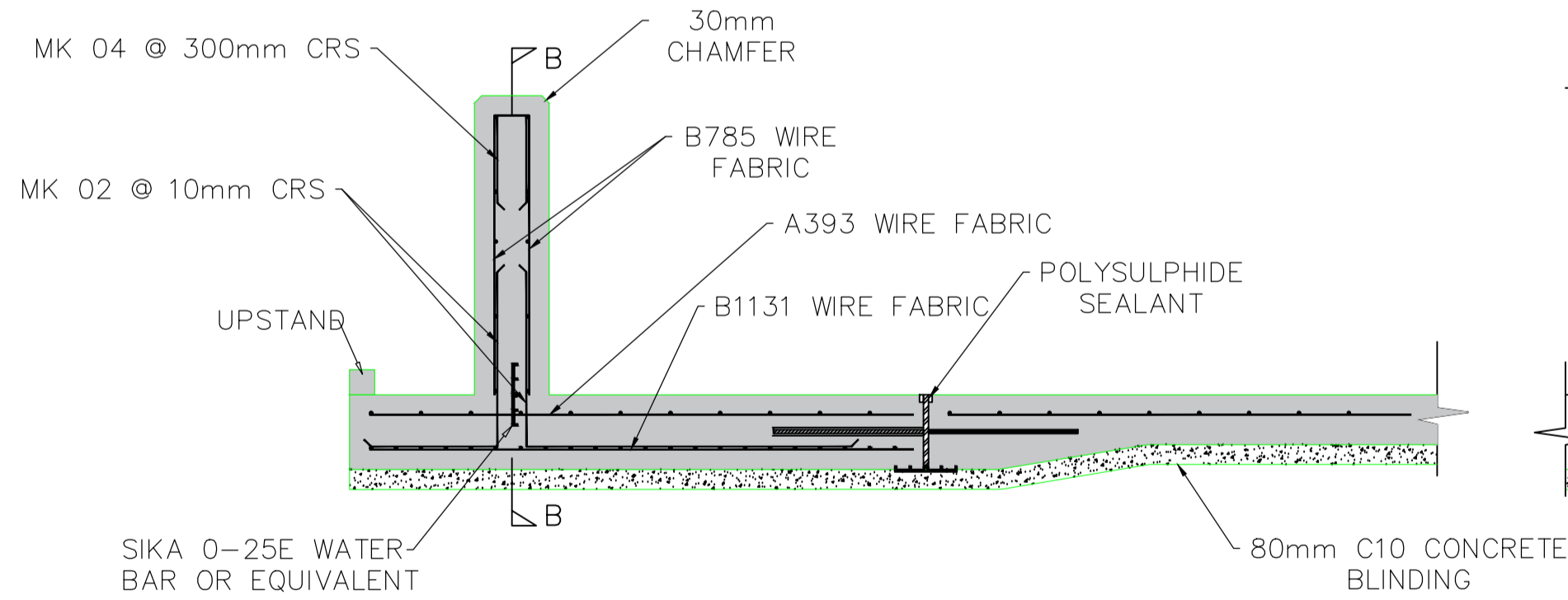
This drawing details installation of water bar and polysulphide sealants to ensure impermeability of all structures.

The existing concrete apron faces will be drilled and fitted with dowel bars to allow reinstatement of expansion joints. To ensure impermeability in addition to the Sika water bar a high swelling hydrophilic bentonite water stop will be applied to the exposed faces prior to concreting.

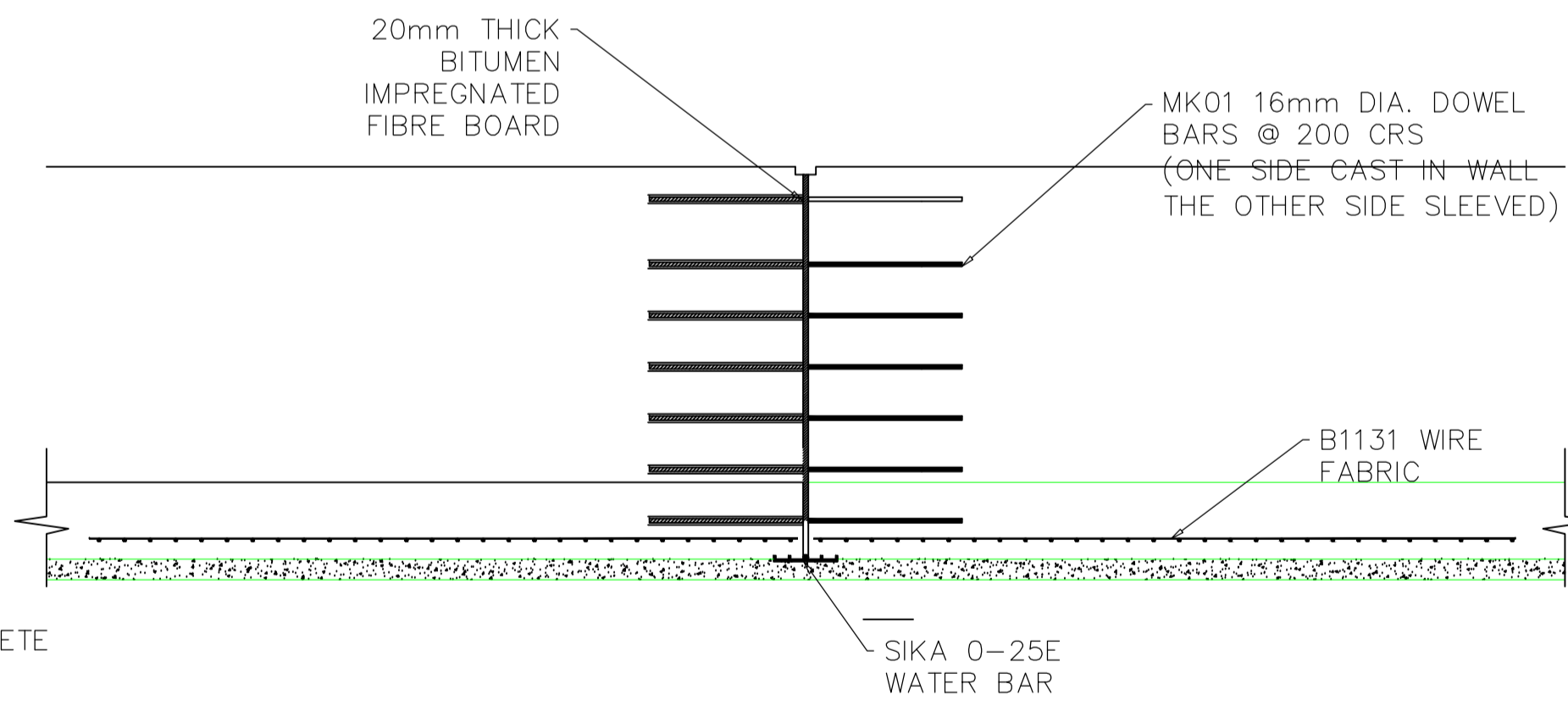


SECTION THROUGH FLOOR SLAB - Scale 1 : 10

SECTION PLAN THROUGH WALL - Scale 1 : 10



TYPICAL SECTION THROUGH SILAGE CLAMP WALL - Scale 1 : 25



SECTIONAL ELEVATION B - B - Scale 1 : 25

Paper Size	Surface Water	Electricity Supply	1 100mm Ducts	Rev No.	Revision Note	Date	Drawn	Checked
A1	Surface 150mm	Gas Supply	2 100mm Ducts					
	Surface 200mm	Mains Water	3 100mm Ducts					
	Surface 300mm	High Pressure	4 100mm Ducts					
	Foul Sewer	Tele/Data	Surface Water Slotted Drain					
	Foul 100mm		225mm					

This drawing is copyright. It must not be copied, used or disclosed to third parties without prior permission. All dimensions to be checked on site prior to commencement. Any discrepancies to be brought to the attention of clients immediately. All drawings to be read in strict conjunction with the relevant engineers drawings where applicable. Full approval of any work as stated or unworked to be obtained by either UK or Local Authority Building Inspector.



Bourne Works
Collingbourne Ducts
Marlborough
Wilts, SN8 3EG
Tel 01264 850446 - Email info@atssltd.com

Title	Drn by	Date	Chk by	Scale
Bund Construction	LM	10/02/17	RB	---
Number - Rev - Client - Project				Sheet
01180-03 - A - Much Fawley Farm - Slurry Lagoon				2