

- NOTES**
- TANK TO BE MANUFACTURED i.a.w. BS 799 Pt 5 Type J
 - TANK TO BE MANUFACTURED FROM 6mm THICK STEEL TO S275JR BS EN 10025:2004.
 - TANK FINISH :-
 - ELECTRIC WIRE BRUSH (WHERE NECESSARY) & DEGREASE.
 - 1 COAT PRIMER.
 - 2 COATS OF AIR DRYING ENAMEL.
 - COLOUR - T.B.A.
 - MINIMUM PAINT THICKNESS (DFT) - 70µm.
 - TANK BASE & BEARERS
 - 2 COAT BITUMEN PAINT
 - NOMINAL THICKNESS 50µm
 - TANK CAPACITY - 38,000 Ltr NOMINAL, 40,000 Ltr BRIMFUL.

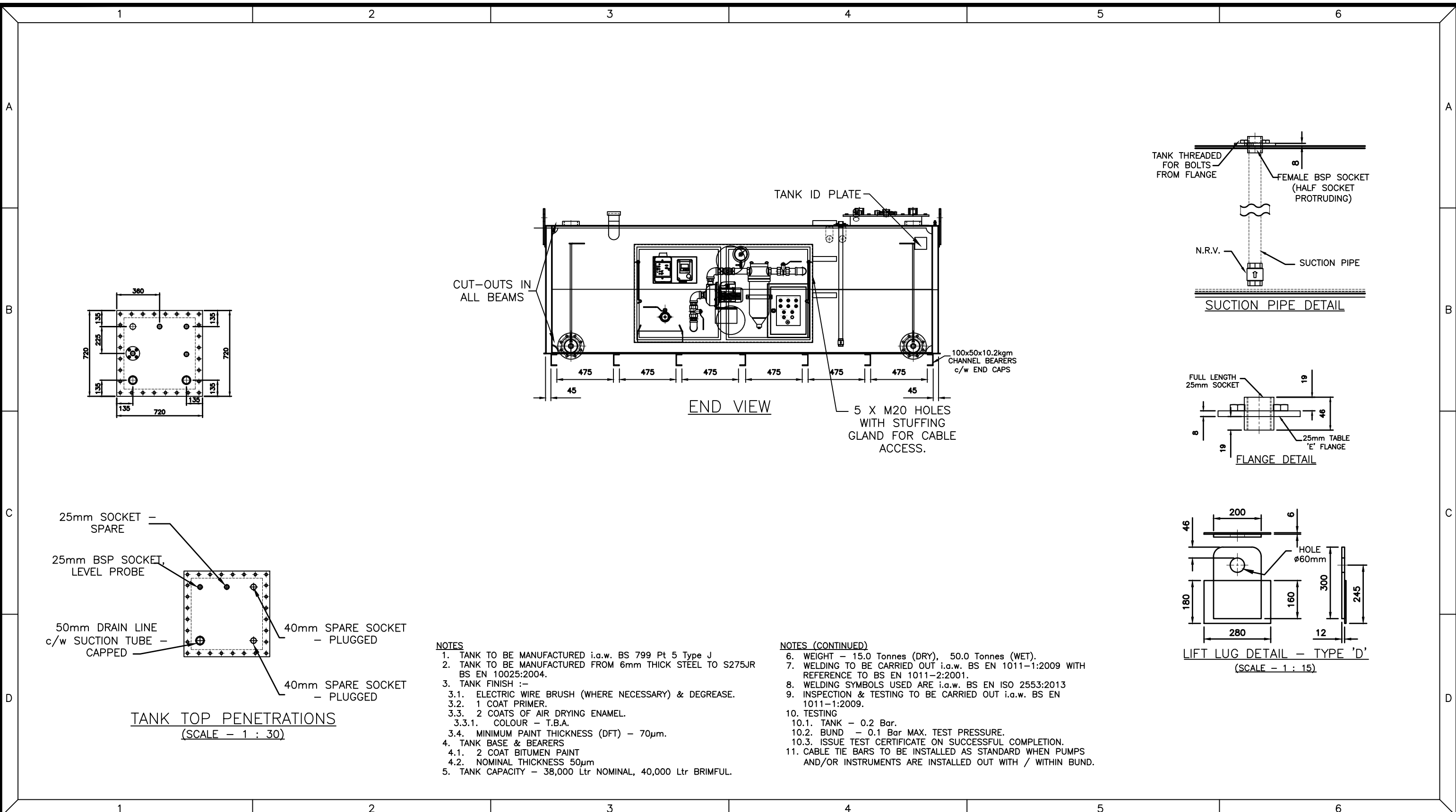
- NOTES (CONTINUED)**
- WEIGHT - 15.0 Tonnes (DRY), 50.0 Tonnes (WET).
 - WELDING TO BE CARRIED OUT i.a.w. BS EN 1011-1:2009 WITH REFERENCE TO BS EN 1011-2:2001.
 - WELDING SYMBOLS USED ARE i.a.w. BS EN ISO 2553:2013
 - INSPECTION & TESTING TO BE CARRIED OUT i.a.w. BS EN 1011-1:2009.
 - TESTING
 - TANK - 0.2 Bar.
 - BUND - 0.1 Bar MAX. TEST PRESSURE.
 - ISSUE TEST CERTIFICATE ON SUCCESSFUL COMPLETION.
 - CABLE TIE BARS TO BE INSTALLED AS STANDARD WHEN PUMPS AND/OR INSTRUMENTS ARE INSTALLED OUT WITH / WITHIN BUND.

Issue	Date	Comments	Drawn	Chkd.	Appd.
08	26/02/21	DRAWING ISSUED FOR COMMENTS.	D.G.	T.K.	-
07	22/02/21	DRAWING ISSUED FOR COMMENTS.	D.G.	T.K.	-
06	19/02/21	DRAWING ISSUED FOR COMMENTS.	D.G.	T.K.	-
05	10/02/21	DRAWING ISSUED FOR COMMENTS.	D.G.	T.K.	-
04	09/02/21	DRAWING ISSUED FOR COMMENTS.	D.G.	T.K.	-
03	28/01/21	DRAWING ISSUED FOR COMMENTS.	D.G.	T.K.	-
02	19/01/21	DRAWING ISSUED FOR COMMENTS.	D.G.	T.K.	-

S. KORONKA (Manufacturing) LIMITED
 Bridgend, Kinross. KY13 8GB.
 Tel. :- 01577 862189
 Fax. :- 01577 864773
 Email :- sales@koronka.co.uk

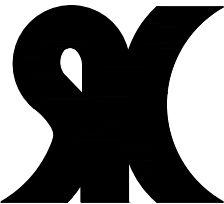
Title
**40,000 Litre (BRIMFUL)
 BUNDED CLEAN OIL
 STORAGE TANK**

Customer Order No. 91364	Drawing Sheet No. SHEET 1 OF 3	Customer Account No. W0309
Material 6mm THK STEEL	Quantity Required 15	
Dimensions mm	Scale 1:40 OR AS STATED	Tolerance ±5mm
Drawing/Serial No. 036271	Sheet No. 001	Issue No. 008



Issue	Date	Comments	Drawn	Chkd.	Appd.
08	26/02/21	DRAWING ISSUED FOR COMMENTS.	D.G.	T.K.	-
07	22/02/21	DRAWING ISSUED FOR COMMENTS.	D.G.	T.K.	-
06	19/02/21	DRAWING ISSUED FOR COMMENTS.	D.G.	T.K.	-
05	10/02/21	DRAWING ISSUED FOR COMMENTS.	D.G.	T.K.	-
04	09/02/21	DRAWING ISSUED FOR COMMENTS.	D.G.	T.K.	-
03	28/01/21	DRAWING ISSUED FOR COMMENTS.	D.G.	T.K.	-
02	19/01/21	DRAWING ISSUED FOR COMMENTS.	D.G.	T.K.	-

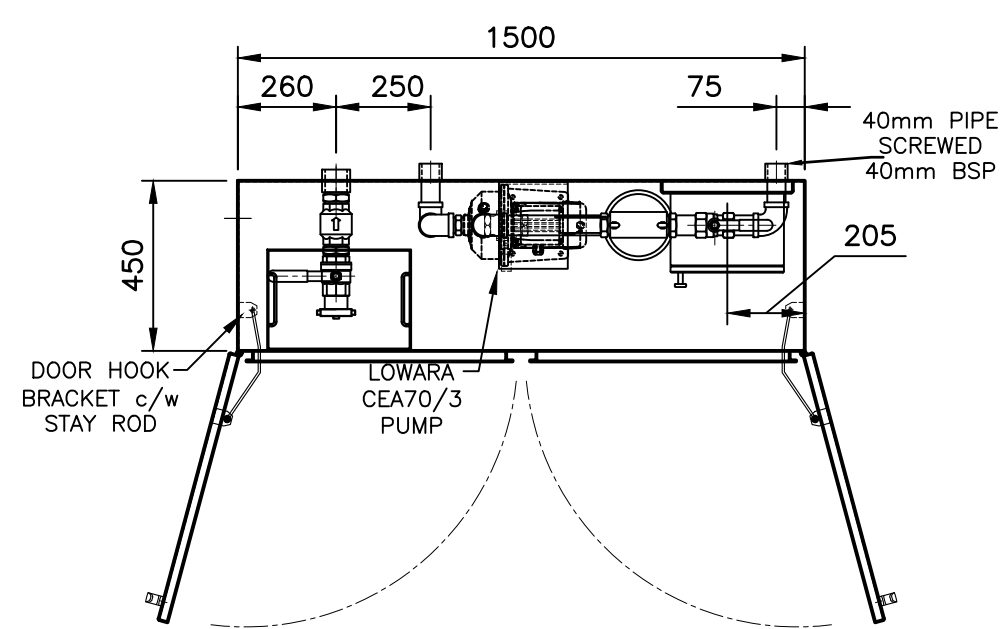
Client's Project Ref:	Approved By:	Date:	Customer:
NTT - Hemel Hempstead 4	WB Power	11/01/2021	WB Power Services



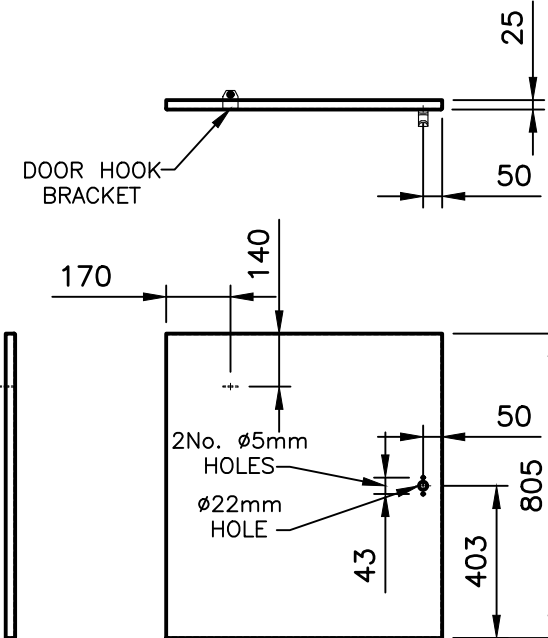
S. KORONKA (Manufacturing) LIMITED
Bridgend, Kinross. KY13 8GB.
Tel. :- 01577 862189
Fax. :- 01577 864773
Email :- sales@koronka.co.uk

Title
**40,000 Litre (BRIMFUL)
BUNDED CLEAN OIL
STORAGE TANK**

Customer Order No. 91364	Drawing Sheet No. SHEET 2 OF 3	Customer Account No. W0309
Material 6mm THK STEEL	Quantity Required 15	
Dimensions mm	Scale 1:40 OR AS STATED	Tolerance ±5mm
Drawing/Serial No. 036271	Sheet No. 002	Issue No. 008

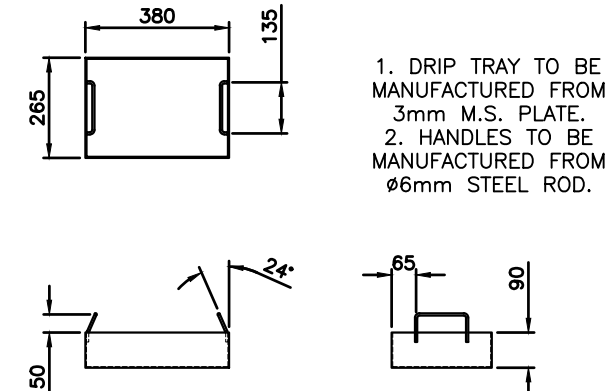


PLAN VIEW
(DOORS SHOWN IN
OPEN POSITION)



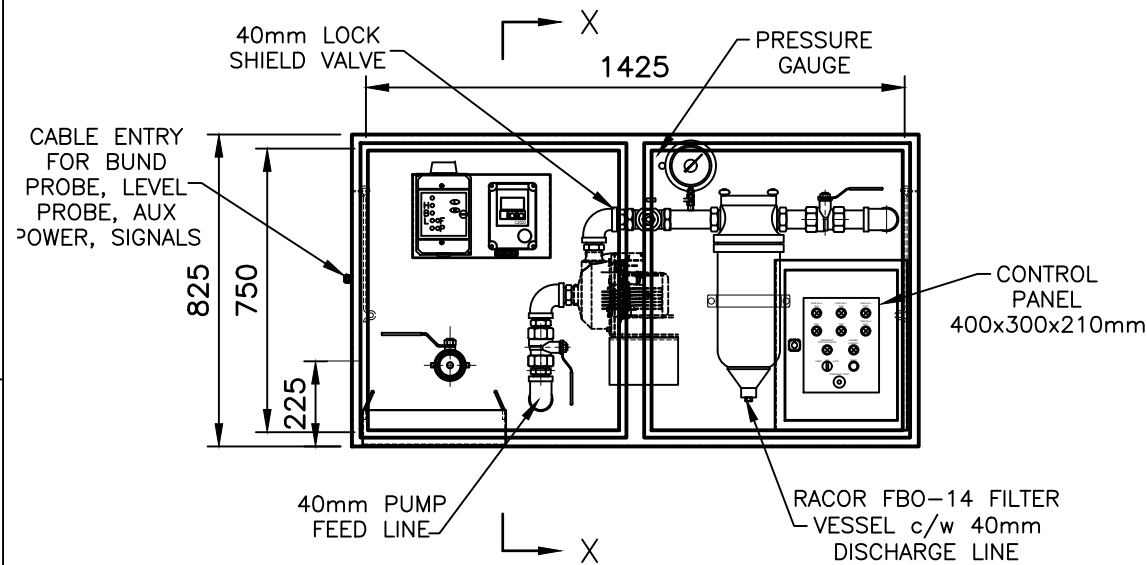
CABINET DOOR
DETAIL

NOTE - LEFT HAND DOOR
SHOWN, RIGHT HAND DOOR
REQUIRED IS MIRROR IMAGE.

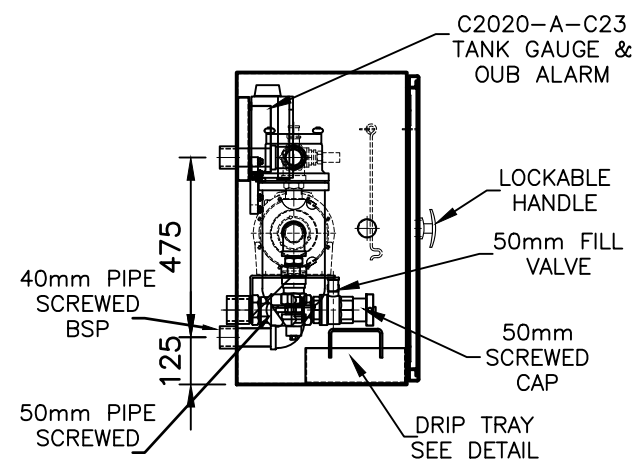


DRIP TRAY DETAIL
(SCALE - 1 : 15)

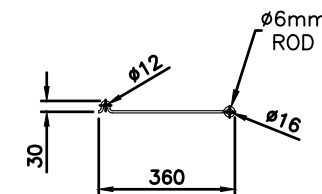
1. DRIP TRAY TO BE MANUFACTURED FROM 3mm M.S. PLATE.
2. HANDLES TO BE MANUFACTURED FROM 6mm STEEL ROD.



GENERAL LAYOUT
(DOOR REMOVED)



SECTION X - X



DOOR HOOK DETAIL
(SCALE - 1 : 15)

NOTES

1. MAIN BODY OF CABINET MANUFACTURED 3mm THICK STEEL SHEET.
2. CABINET PAINTED - AS PER CUSTOMER REQUIREMENTS.
3. ANY ELECTRICAL COMPONENTS TO BE MOUNTED ON BACKPLATE USING M8 SCREWS.

Issue	Date	Comments	Drawn	Chkd.	Appd.
08	26/02/21	DRAWING ISSUED FOR COMMENTS.	D.G.	T.K.	-
07	22/02/21	DRAWING ISSUED FOR COMMENTS.	D.G.	T.K.	-
06	19/02/21	DRAWING ISSUED FOR COMMENTS.	D.G.	T.K.	-
05	10/02/21	DRAWING ISSUED FOR COMMENTS.	D.G.	T.K.	-
04	09/02/21	DRAWING ISSUED FOR COMMENTS.	D.G.	T.K.	-
03	28/01/21	DRAWING ISSUED FOR COMMENTS.	D.G.	T.K.	-
02	19/01/21	DRAWING ISSUED FOR COMMENTS.	D.G.	T.K.	-



S. KORONKA (Manufacturing) LIMITED - Bridgend, Kinross. KY13 8GB.
Tel. :- 01577 862189 - Fax. :- 01577 864773 - Email :- sales@koronka.co.uk

Title
**DETAIL OF FUEL POLISHING
SYSTEM WITHIN CABINET
c/w LOWARA PUMP &
RACOR FBO-14 FILTER**

Customer Order No. 91364	Drawing Sheet No. SHEET 3 OF 3	Cust Acc No. W0309
Material SEE NOTES		Quantity Required 15
Dimensions mm	Scale 1:15 OR AS STATED	Tolerance ±5mm
Drawing/Serial No. 036271	Sheet No. 003	Issue No. 008

Clients Project Ref: NTT - Hemel Hempstead 4	Approved By WB Power	Date 11/01/2021	Customer WB Power Services
--	-------------------------	--------------------	--------------------------------------