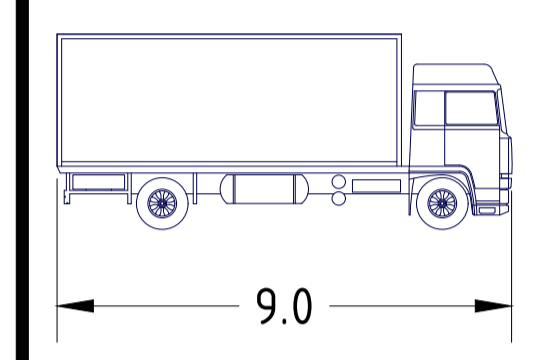


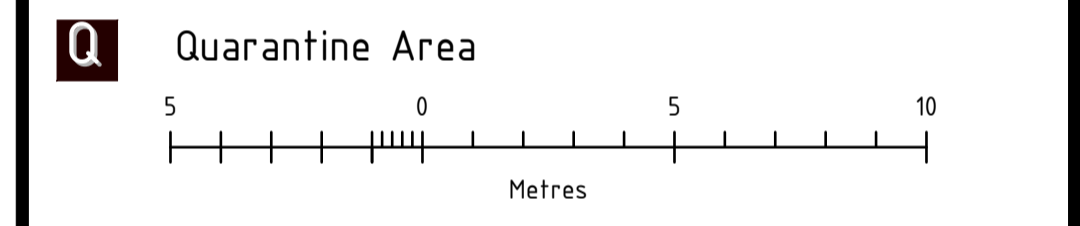
General Notes

- KEY**
- Permit boundary
 - Materials (classed as waste)
 - Materials (classed as finished product)
 - Machinery (Ext = Extruder, G = Granulator)

All dimensions in metres, rounded to nearest 0.5m

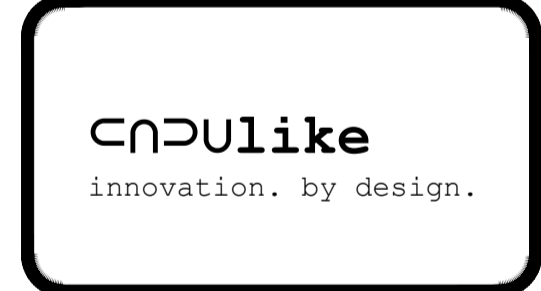


Indicative size of largest rigid body truck



Reproduced from Ordnance Survey VectorMap District Vector data © Crown copyright 2023. All rights reserved. Licence number 0100031673

No.	Revision/Issue	Date



Drawing Title, Project Name and Address
 Site Storage and Internal Plant Layout Plan
 Morris Recycling Ltd
 Unit 34, Conegre Industrial Estate
 Tipton, West Midlands
 DY4 8XP

Project	EA PERMIT	Drg No 04
Date	MAY 2023	
Scale	1:50 @ A1	

CONEGRE ROAD

WEIGHBRIDGE