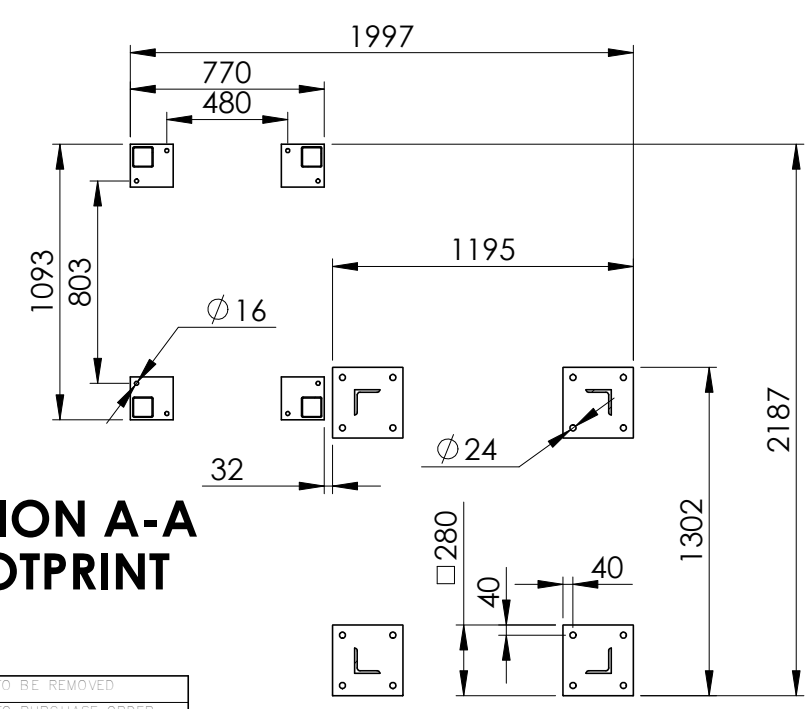
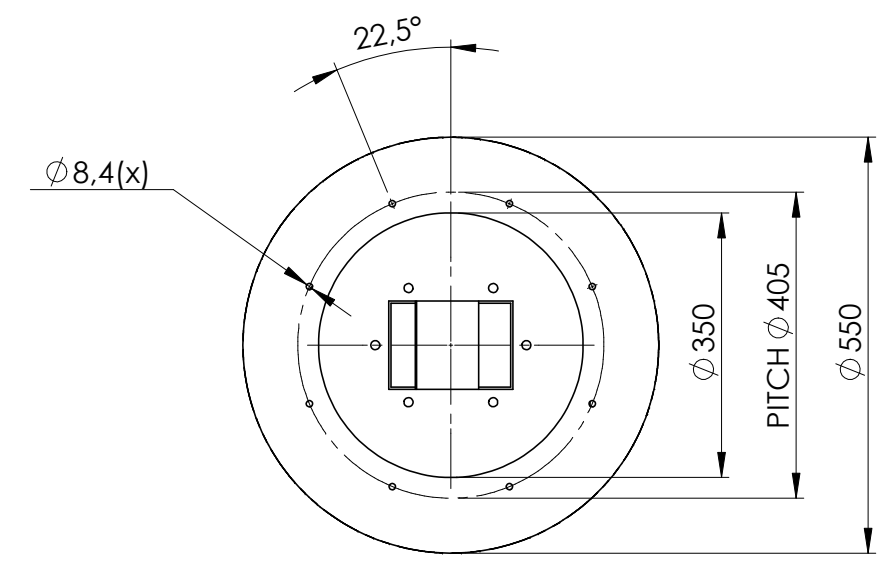
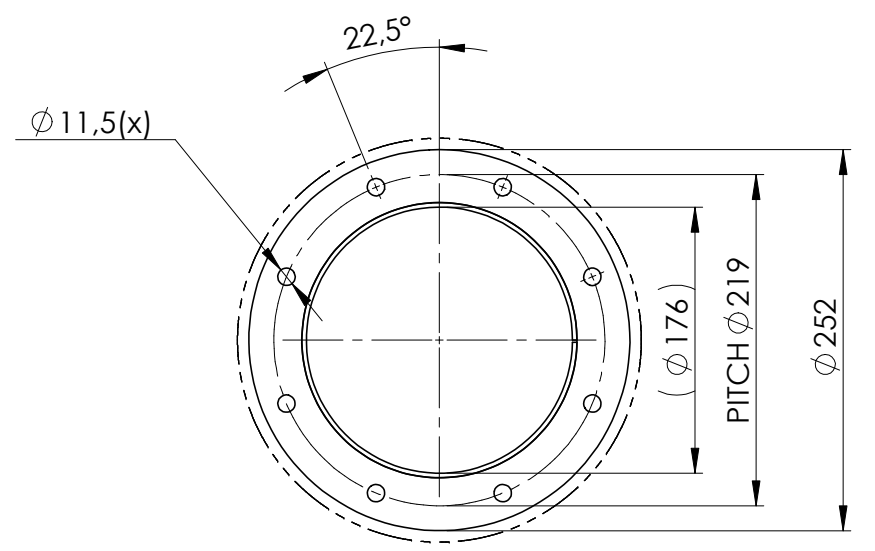
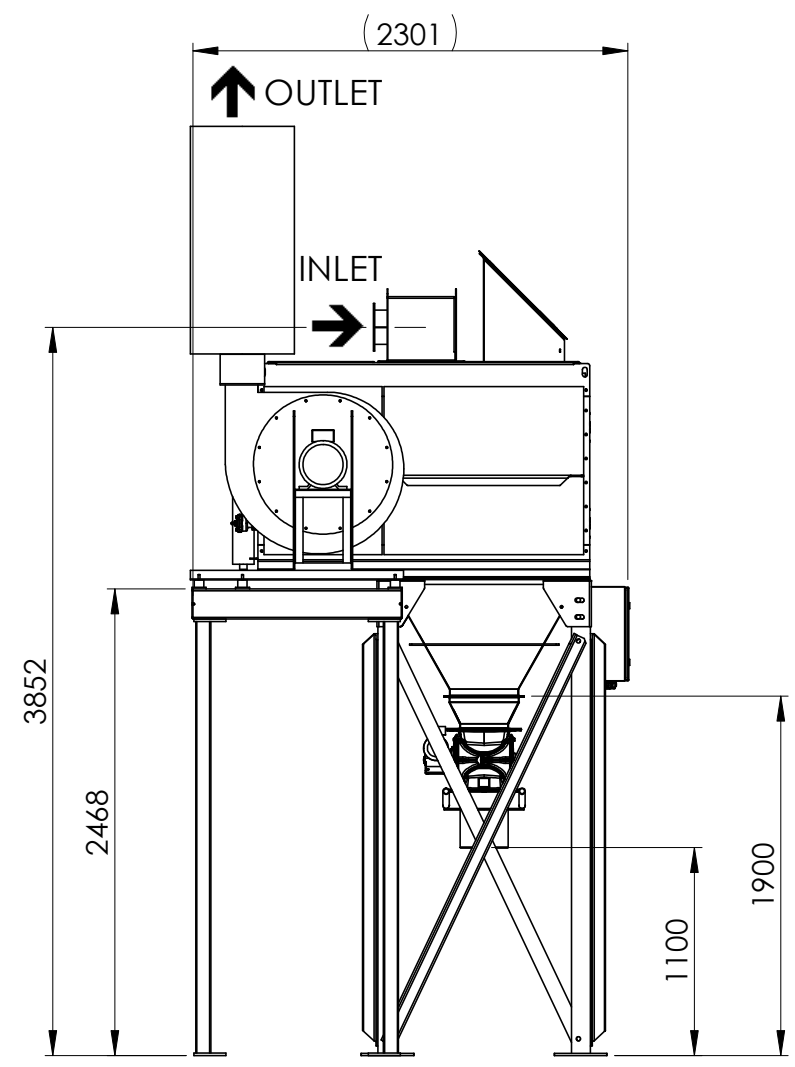
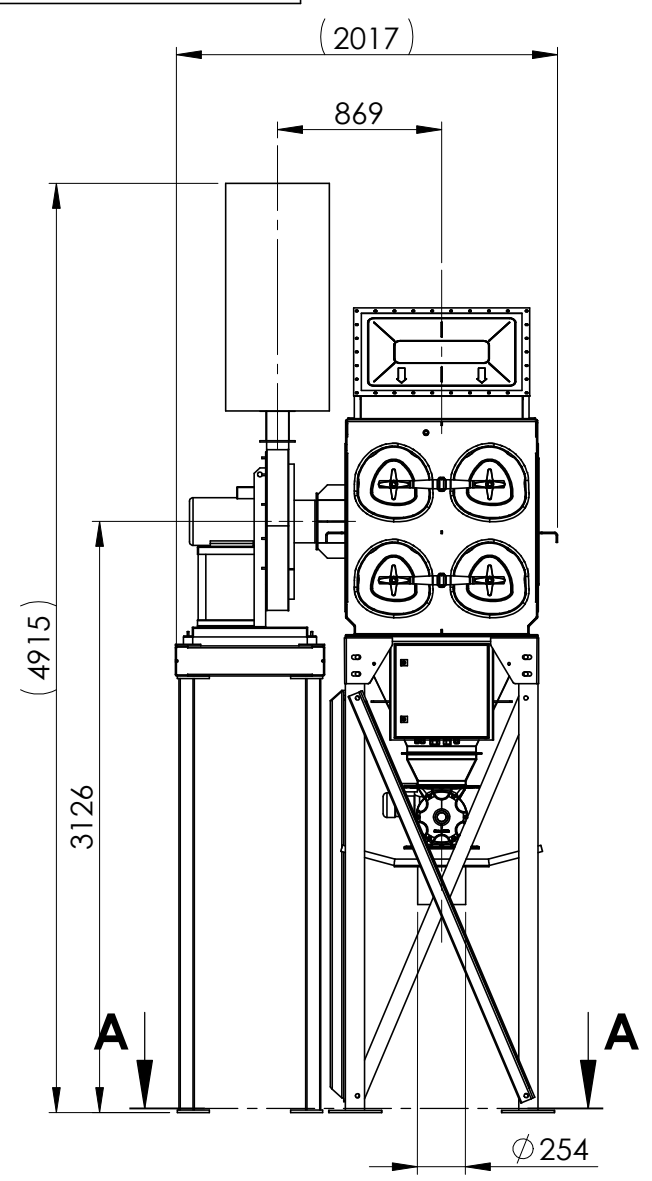


THIS DOCUMENT CONTAINS INFORMATION THAT IS CONFIDENTIAL AND/OR PROPRIETARY TO DONALDSON COMPANY, INC. ALL RIGHTS TO DISCLOSE, COPY, REPRODUCE, MANUFACTURE FROM OR DISPOSE OF THIS DOCUMENT OR ITS CONTENTS ARE RESERVED UNLESS SPECIFIED IN WRITING BY DONALDSON.



**SECTION A-A
FOOTPRINT**

NOTE:
FOR DETAILED SPECIFICATIONS, SEE QUOTATION SPECIFICATION SHEET (QSS)
<http://intranet.dci.com/ind/iaf/emea/eng/pdt/Shared%20Documents/AW0109301.xlsm>
THIS DRAWING IS FOR QUOTATION PURPOSES ONLY

PAINT SPEC:		TITLE: PROPOSAL DRAWING DFE 2-4-V	
THICKNESS:			
MATERIAL:			
WEIGHT: 1293.0 Kg	RELEASE NR:	NUMBER: AW0109301	REVISION: 0
USED ON:	DR. NS 5/02/2020	SCALE: N.T.S. SHEET: 1 OF 2	SIZE: A3
GENERAL TOLERANCES UNLESS OTHERWISE SPECIFIED: For linear, angular dimensions and form and location. ISO 2768 mK For welded constructions. EN ISO 13920 BF	APP. GVE 5/02/2020		
GENERAL ROUGHNESS UNLESS OTHERWISE SPECIFIED: 3.2	FIRST ANGLE PROJECTION	C/C SW: SolidWorks	
DO NOT SCALE		COPYRIGHT © DONALDSON COMPANY, INC.	



ALL BURRS AND SHARP EDGES TO BE REMOVED
CORROSION PROTECTION ACCORDING TO PURCHASE ORDER
WELDING STANDARD ACCORDING TO: I.S. EN ISO 2553:2013. ALL WELD SPATTER TO BE REMOVED, USE OF SILICONE BASED REMOVER IS NOT ALLOWED
GASKET/CAULKING AREA TO BE DEGREASED BEFORE APPLICATION
ALL DIMENSIONS ARE IN MILLIMETRES

DR.	DATE	REV.	REV. N°	CHANGE DESCRIPTION
		0		

THIS DOCUMENT CONTAINS INFORMATION THAT IS CONFIDENTIAL AND/OR PROPRIETARY TO DONALDSON COMPANY, INC. ALL RIGHTS TO DISCLOSE, COPY, REPRODUCE, MANUFACTURE FROM OR DISPOSE OF THIS DOCUMENT OR ITS CONTENTS ARE RESERVED UNLESS SPECIFIED IN WRITING BY DONALDSON.

FAN FE632 RD0

FILTER CABINET

INLET NW180

HOPPER

COMPRESSED AIR INLET
1" BSP FEMALE

TRANSITION PIECE

AIRLOCK S-AX250

BIG BAG HOOK

CONTROLLER
SHIP LOOSE

SUPPORT

LEGS

NOTE:
FOR DETAILED SPECIFICATIONS, SEE QUOTATION SPECIFICATION SHEET (QSS)
<http://intranet.dci.com/ind/iaf/emea/eng/pdt/Shared%20Documents/AW0109301.xlsm>

THIS DRAWING IS FOR QUOTATION PURPOSES ONLY

PAINT SPEC:		TITLE: PROPOSAL DRAWING DFE 2-4-V	
THICKNESS:			
MATERIAL:			
WEIGHT: 1293.0 Kg	RELEASE NR	NUMBER: AW0109301	REVISION: 0
USED ON:	DR. NS 5/02/2020		
GENERAL TOLERANCES UNLESS OTHERWISE SPECIFIED: For linear, angular dimensions and form and location. ISO 2768 mK For welded constructions. EN ISO 13920 BF GENERAL ROUGHNESS UNLESS OTHERWISE SPECIFIED: 3.2	APP. GVE 5/02/2020		
	FIRST ANGLE PROJECTION	SCALE: N.T.S. SHEET: 2 OF 2	SIZE: A3
DO NOT SCALE		C/C SW: SolidWorks	
		COPYRIGHT © DONALDSON COMPANY, INC.	



ALL BURRS AND SHARP EDGES TO BE REMOVED
CORROSION PROTECTION ACCORDING TO PURCHASE ORDER
WELDING STANDARD ACCORDING TO: I.S. EN ISO 2553:2013. ALL WELD SPATTER TO BE REMOVED, USE OF SILICONE BASED REMOVER IS NOT ALLOWED
GASKET/CAULKING AREA TO BE DEGREASED BEFORE APPLICATION
ALL DIMENSIONS ARE IN MILLIMETRES

DR.	DATE	REV.	REV. N°	CHANGE DESCRIPTION
		0		