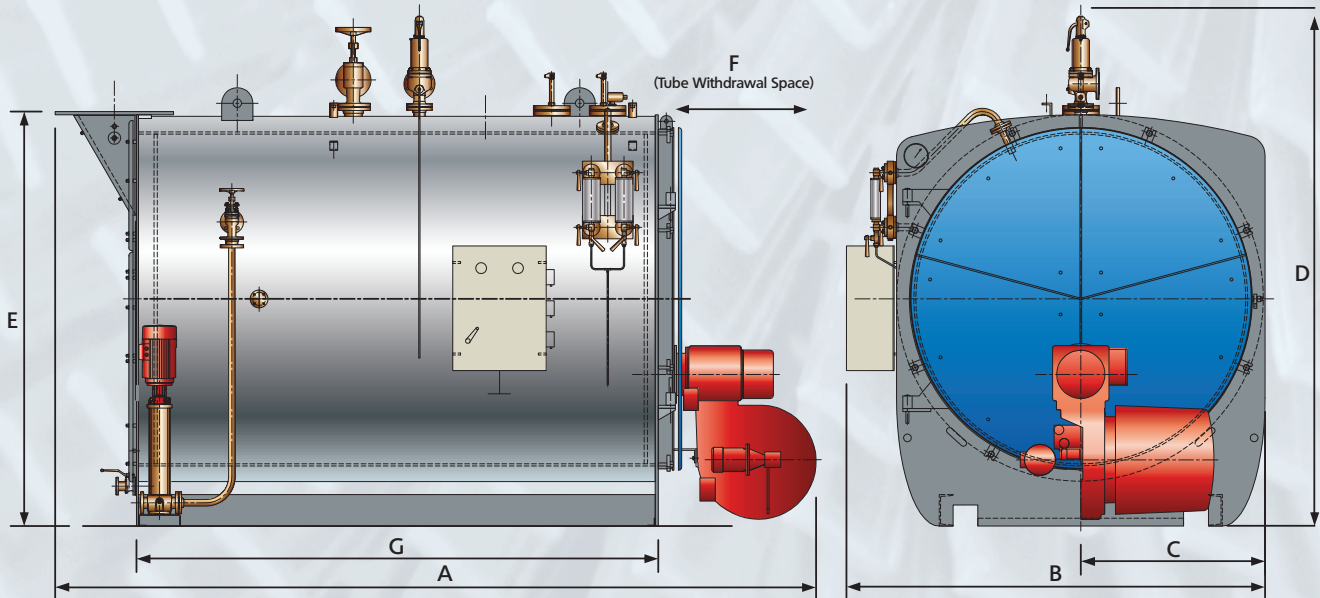


Cochran Steam Boiler

ST28 Low NOx

Cochran's ST28 Low NOx Package Steam Boiler is of horizontal three pass wet back design and constructed in accordance with BS EN 12953. This CE marked boiler is designed to meet the latest European environmental legislation and anticipated Medium Combustion Plant Directive (MCPD) requirements. Suitable for any application, the design features Cochran's low NOx, low noise burners as standard, and are available with a comprehensive range of control options.



Output (F&A 100°C): 1000 kg/hr to 6000 kg/hr.

ST28 Boiler Model		ST28-1	ST28-2	ST28-3	ST28-4	ST28-5	ST28-6
Rating F&A @100°C	kg/hr	1000	2000	3000	4000	5000	6000
Dimensions	A mm	3606	4680	5485	6317	6867	6805
	B mm	1914	2650	2720	2854	2854	3823
	C mm	781	1149	1184	1251	1251	1347
	D mm	2180	2976	3223	3394	3394	3490
	E mm	1769	2502	2664	2780	2780	2876
	F mm	2040	2860	3580	4180	4730	4650
	G mm	2313	3133	3853	4453	5003	4923
MinTransport Width	mm	1607	2343	2413	2547	2547	2739
Min Transport Height	mm	1863	2655	2818	2911	2911	3040
Rec Chimney Dia	mm	215	300	355	420	454	510
Stop Valve Dia	mm	50	65	80	100	100	125
Safety Valve Size	mm	25	32	40	50	50	50
Safety Valve outlet Dia	mm	40	50	65	80	80	80
Blowdown Valve Dia	mm	25	25	25	25	25	25
Feed Pump Inlet Dia	mm	32	32	32	32	32	32
Weight Empty	Tonnes	5.2	16.4	19.0	20.5	21.5	23.3
Weight to NWL	Tonnes	6.9	23.0	26.6	30.4	32.5	35.8
Weight Full	Tonnes	7.3	24.3	28.4	32.8	35.2	38.9

Note:

All Dimensions and weights are approximate only and are based on a boiler working pressure of 10.34 Barg, other design pressures available.

+44(0) 1461 202 111 www.cochran.co.uk

Cochran Ltd Newbie Works, Annan, Dumfries & Galloway, UK DG12 5QU. ©2018 Cochran Ltd. Version 1 03/2018

