

DUNPHY

DUNPHY COMBUSTION LTD.

 Queensway
 Rochdale
 England
 OL11 2SL


+44 (0)1706 649217

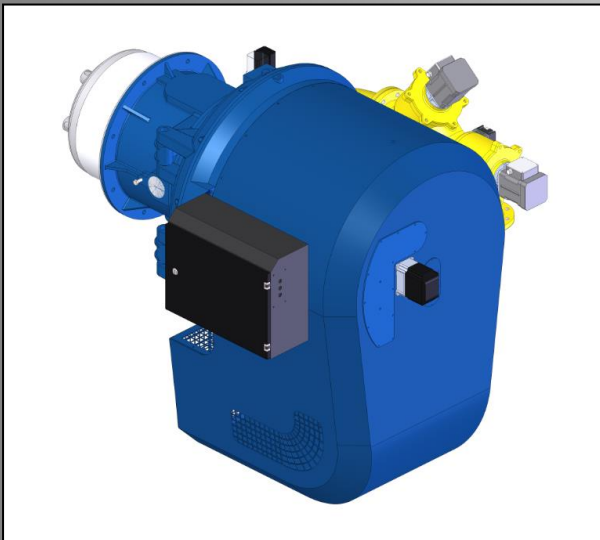


+44 (0)1706 655512



www.dunphy.co.uk

DATA SHEET

Model: TG6
Revision Date: November 2019
Output: 1200 – 14000 kW
Revision Number: DS.TG6.14


- ◆ All models approved to current British and European Standards.
- ◆ All burners in the T.G. range are of the fan assisted, nozzle mix type and operation is fully automatic.
- ◆ All models have been independently tested to the European Standard BS EN676 'Automatic forced draught burners for gaseous fuels.'
- ◆ CE approval number for the TG6 Series burners are:
- ◆ TG6.1200/1400 – CE 679311



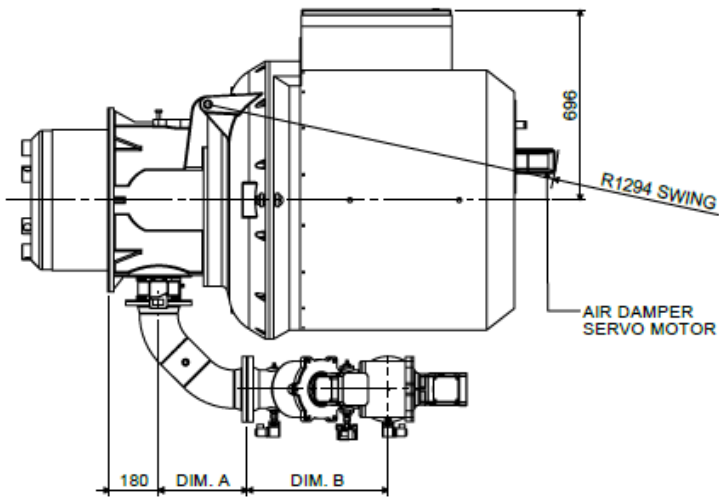
FM 24868

BURNER DIMENSIONS

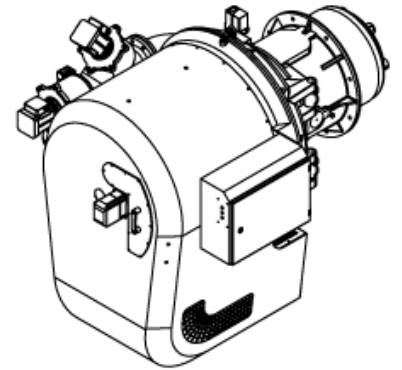
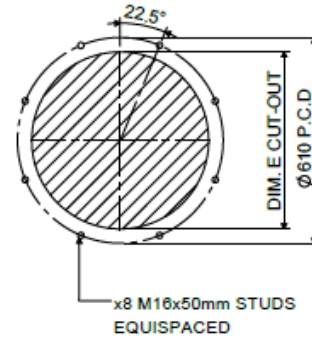
- ◆ Drawings show on the following pages
- ◆ All dimensions in mm unless otherwise stated.
- ◆ The minimum standard dimension for 'PROJ' is 280mm. However, it can be varied to suit application. Requirements should be stated when unit is ordered.
- ◆ Burners supplied as Left hand hinge or Right hand hinge
- ◆ The swing radius shown is the average; this can vary on non-standard burners.
- ◆ Please check the issue number to ensure validity.

ELECTRONIC MODULATION – RHH WITH UNIBLOC GAS VALVE

TG6 RHH ELECTRONIC MODULATION BURNER

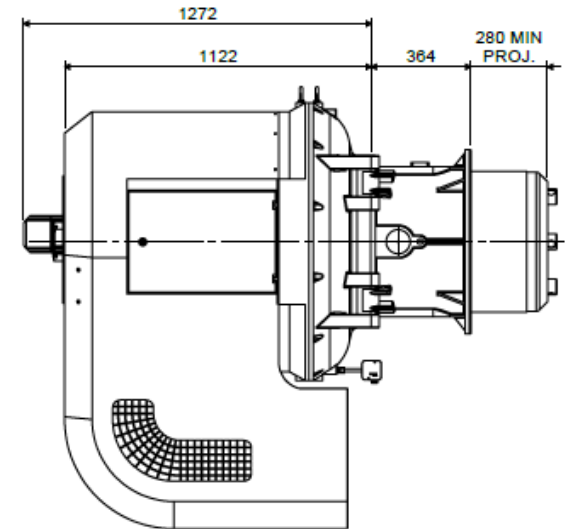
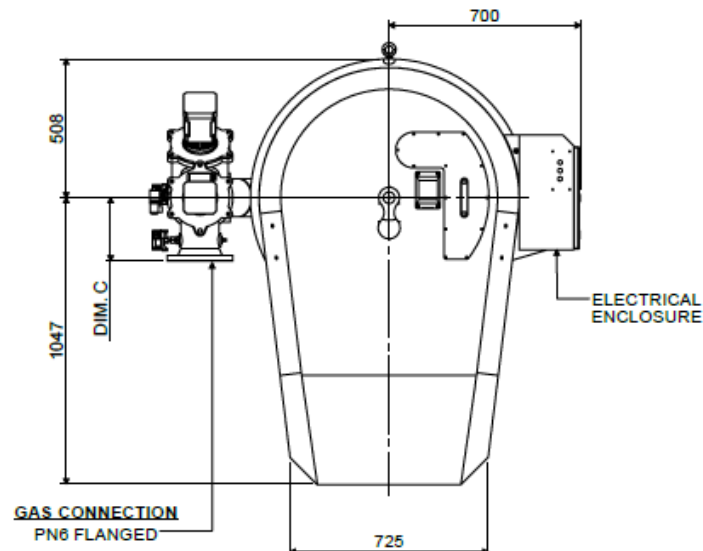
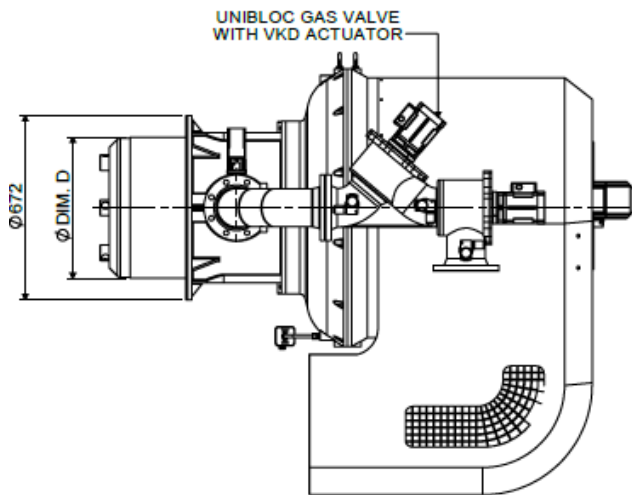


BOILER MOUNTING DETAILS



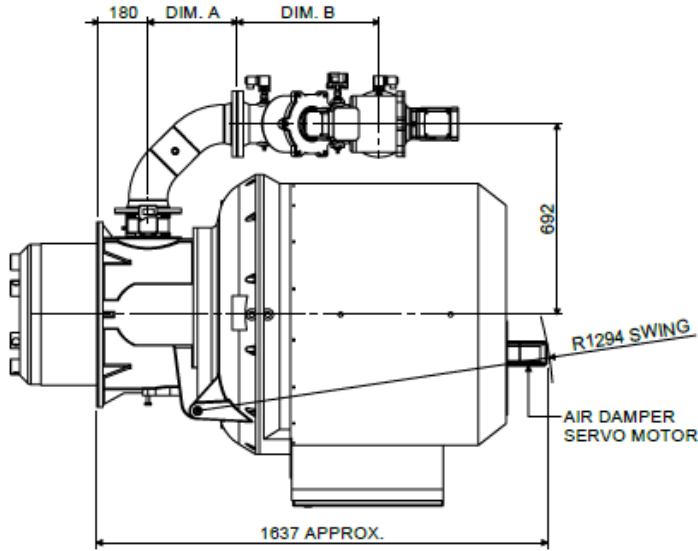
UNIBLOC SIZE	DIM. A	DIM. B	DIM. C
100 NB	448	385	192
125 NB	324	515	232

BURNER TYPE	DIM. D	DIM. E
TG6.1200Z	516	525
TG6.1400Y	566	578

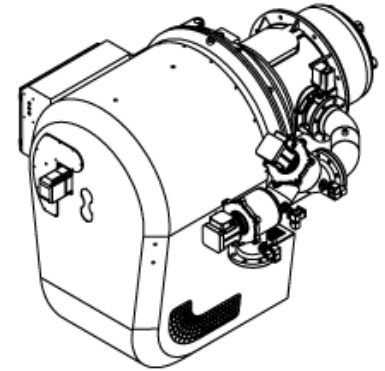
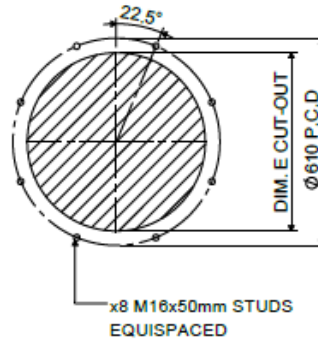


ELECTRONIC MODULATION – LHH WITH UNIBLOC GAS VALVE

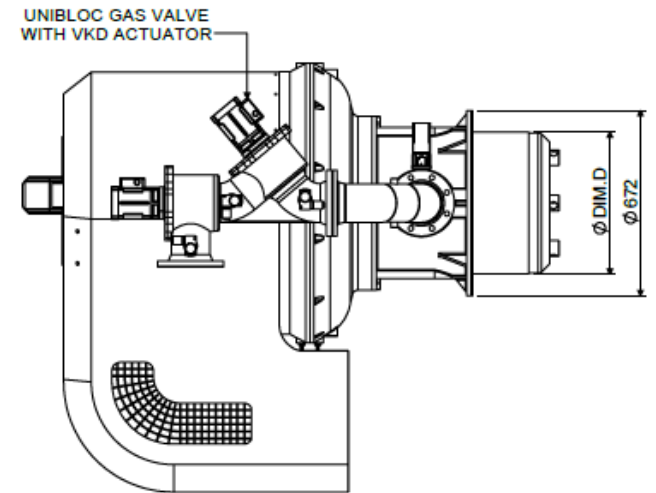
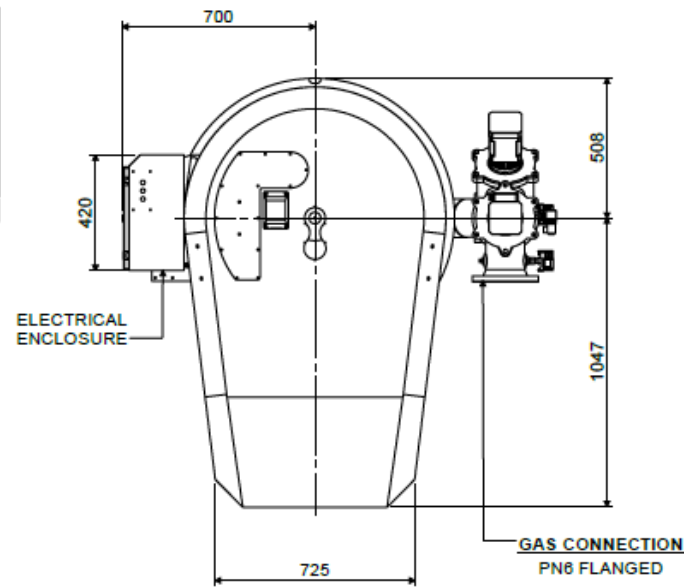
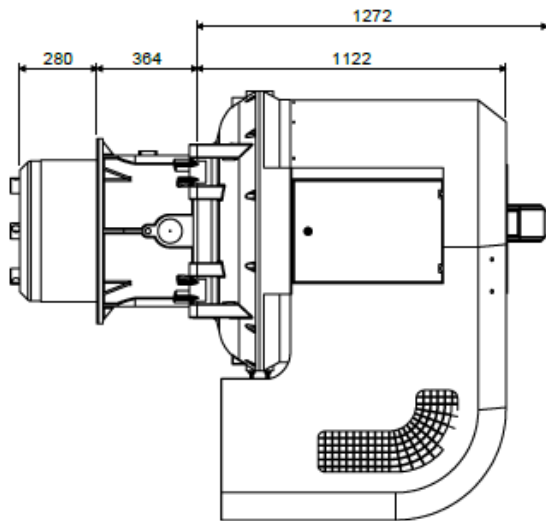
TG6 LHH ELECTRONIC MODULATION BURNER



BOILER MOUNTING DETAILS

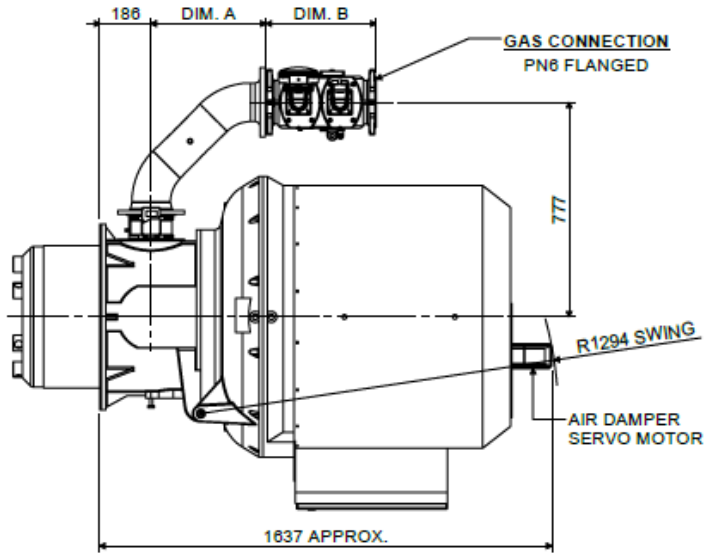


UNIBLOC SIZE	DIM. A	DIM. B	DIM. C	BURNER TYPE	DIM. D	DIM. E
100 NB	448	385	192	TG6.1200Z	516	525
125 NB	324	515	232	TG6.1400Y	566	576

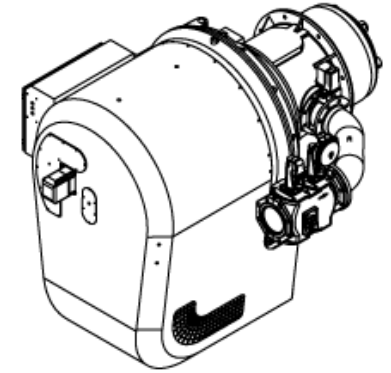
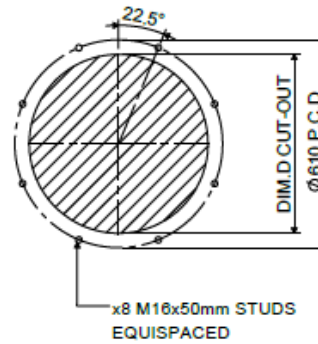


ELECTRONIC MODULATION – LHH WITH VGD GAS VALVE

TG6 LHH ELECTRONIC MODULATION BURNER WITH VGD GAS VALVE

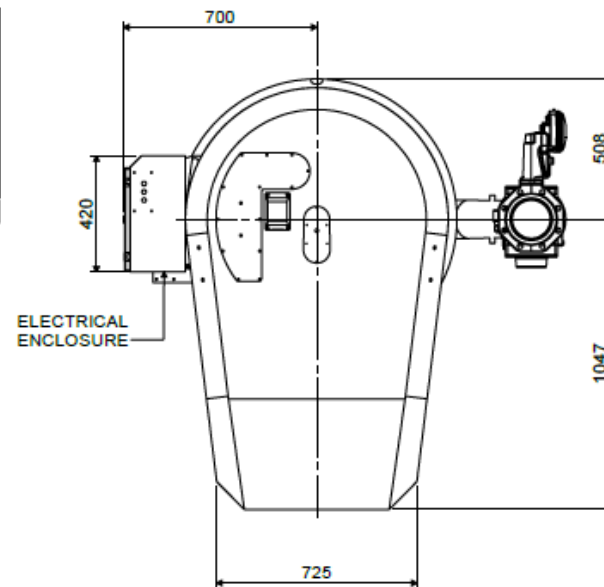
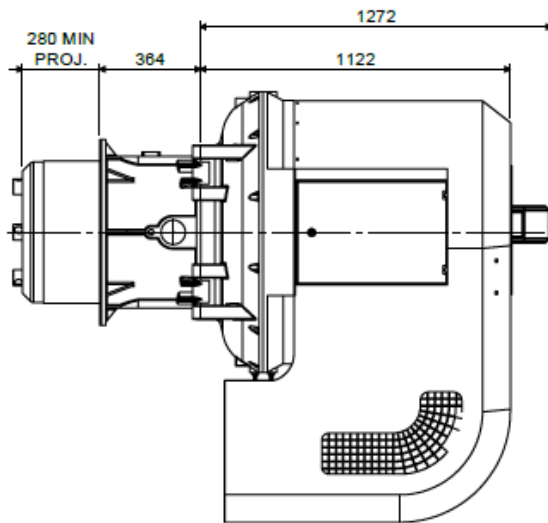


BOILER MOUNTING DETAILS

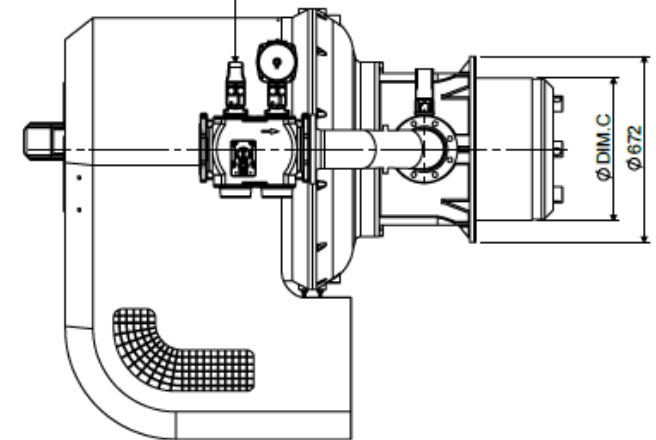


UNIBLOC SIZE	DIM. A	DIM. B
100 NB	448	385
125 NB	324	515

BURNER TYPE	DIM. C	DIM. D
TG6.1200 Z	Ø 518	Ø 525
TG6.1400 Y	Ø 566	Ø 576

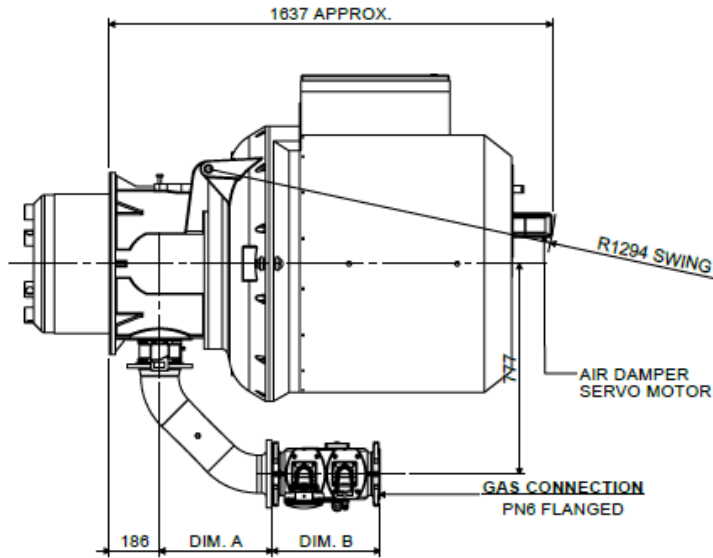


UNIBLOC GAS VALVE WITH VKD ACTUATOR

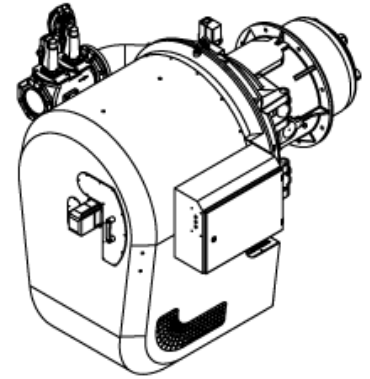
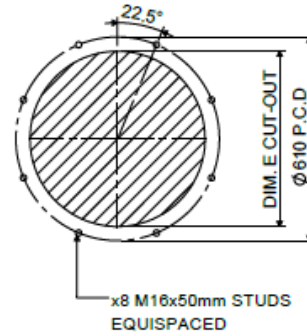


ELECTRONIC MODULATION – RHH WITH VGD GAS VALVE

TG6 RHH ELECTRONIC MODULATION BURNER WITH VGD GAS VALVE

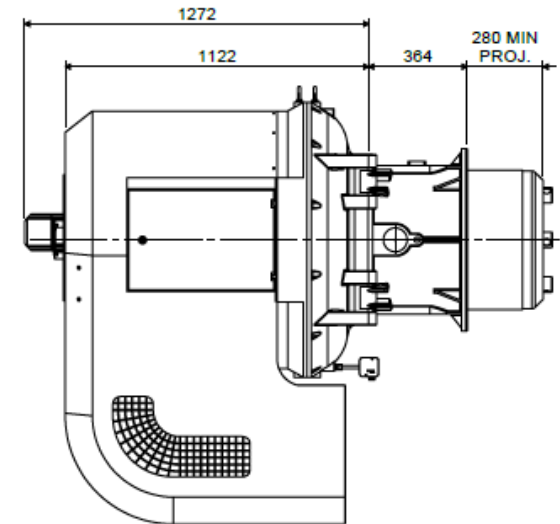
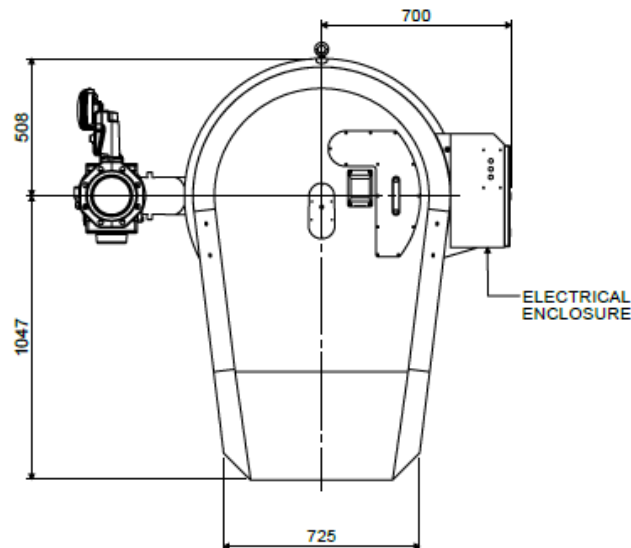
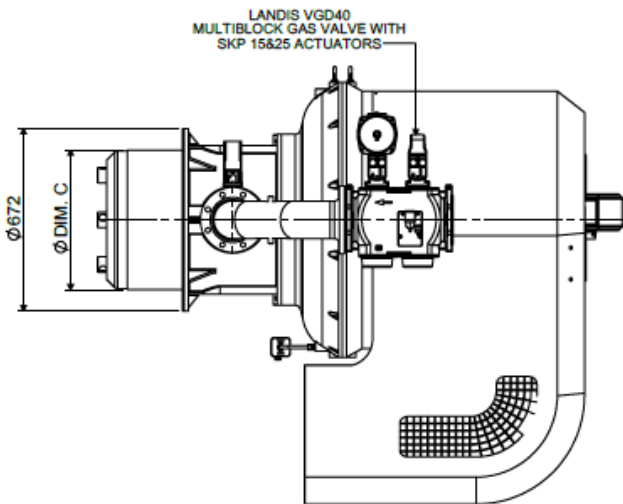


BOILER MOUNTING DETAILS

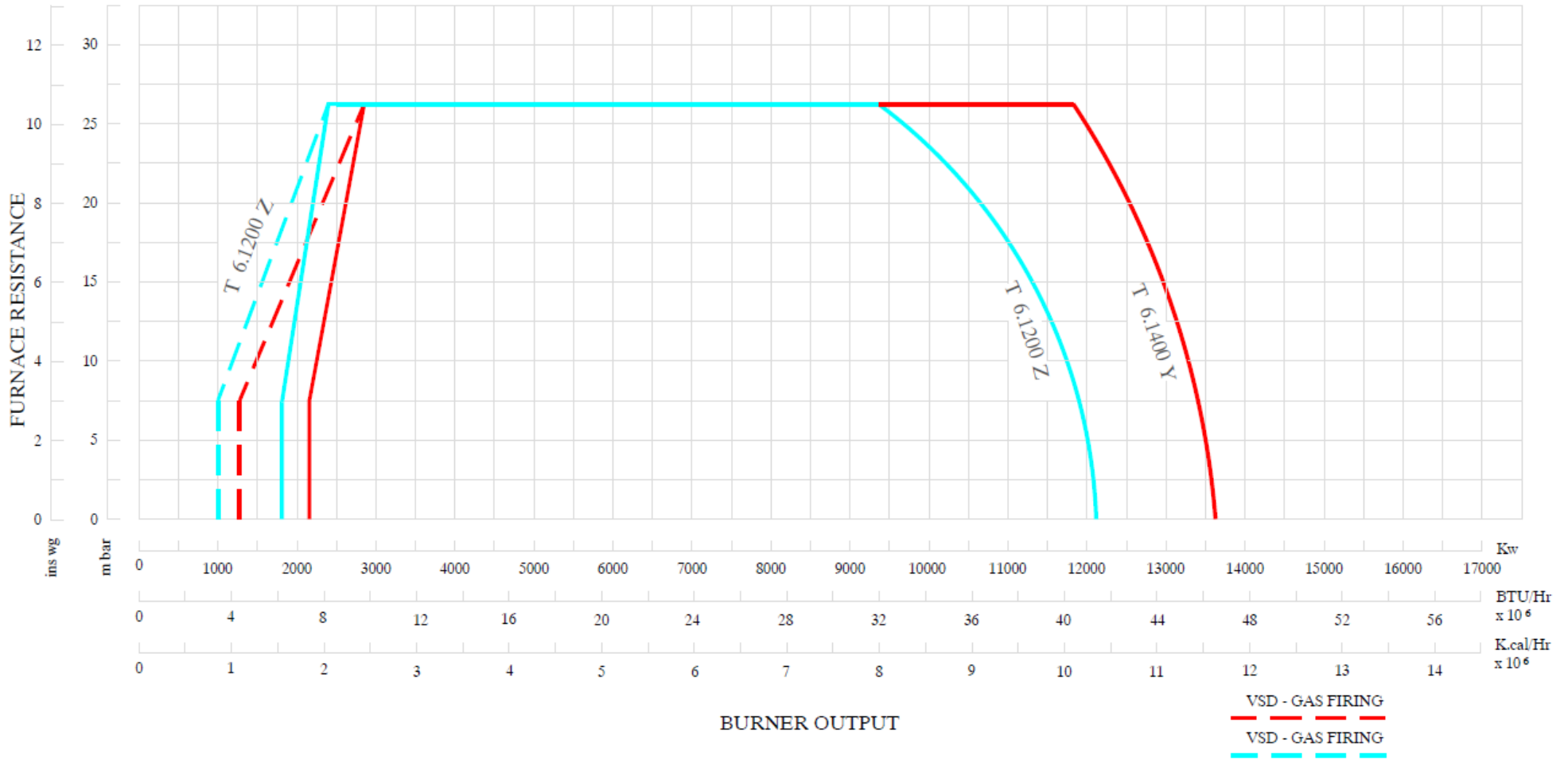


VGD40.	DIM. A	DIM. B
100 NB	448	385
125 NB	324	515

BURNER TYPE	DIM. C	DIM. D
TG6.1200 Z	Ø 516	Ø 525
TG6.1400 Y	Ø 566	Ø 576

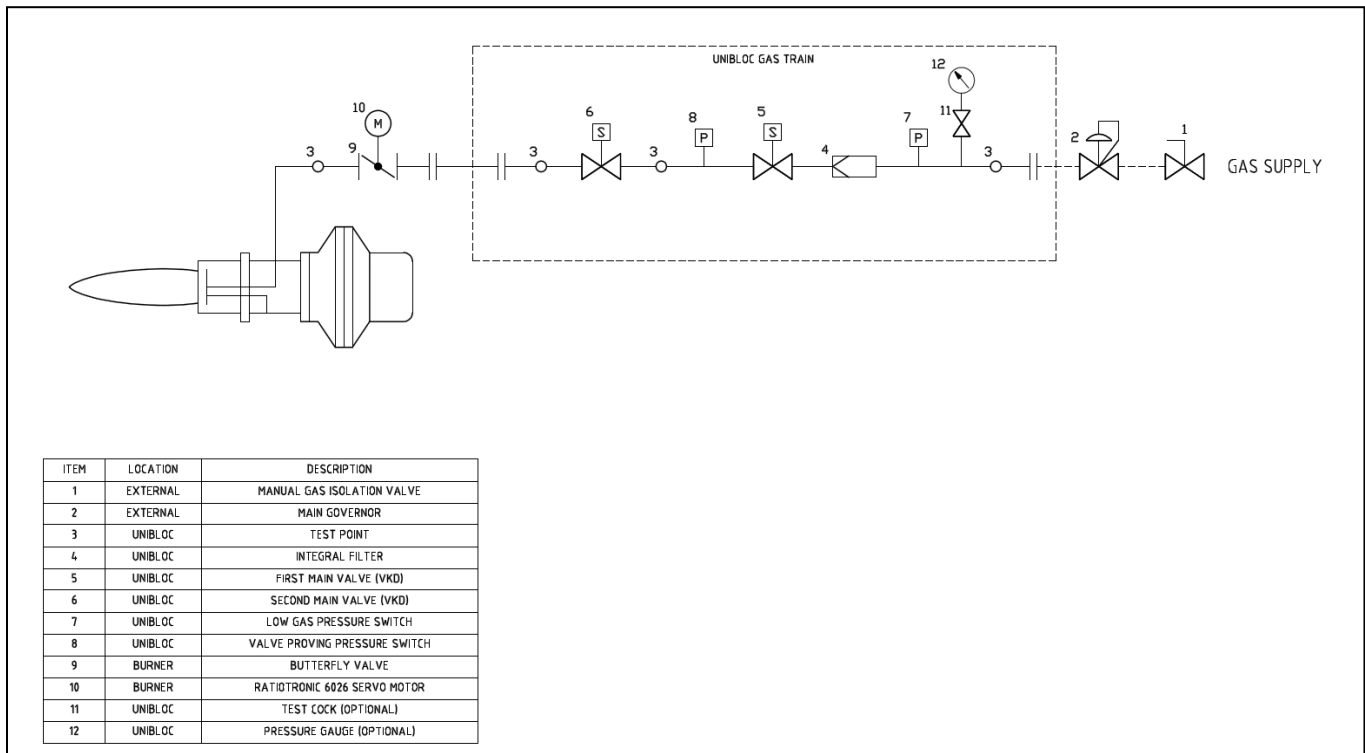


BURNER RATING GRAPH

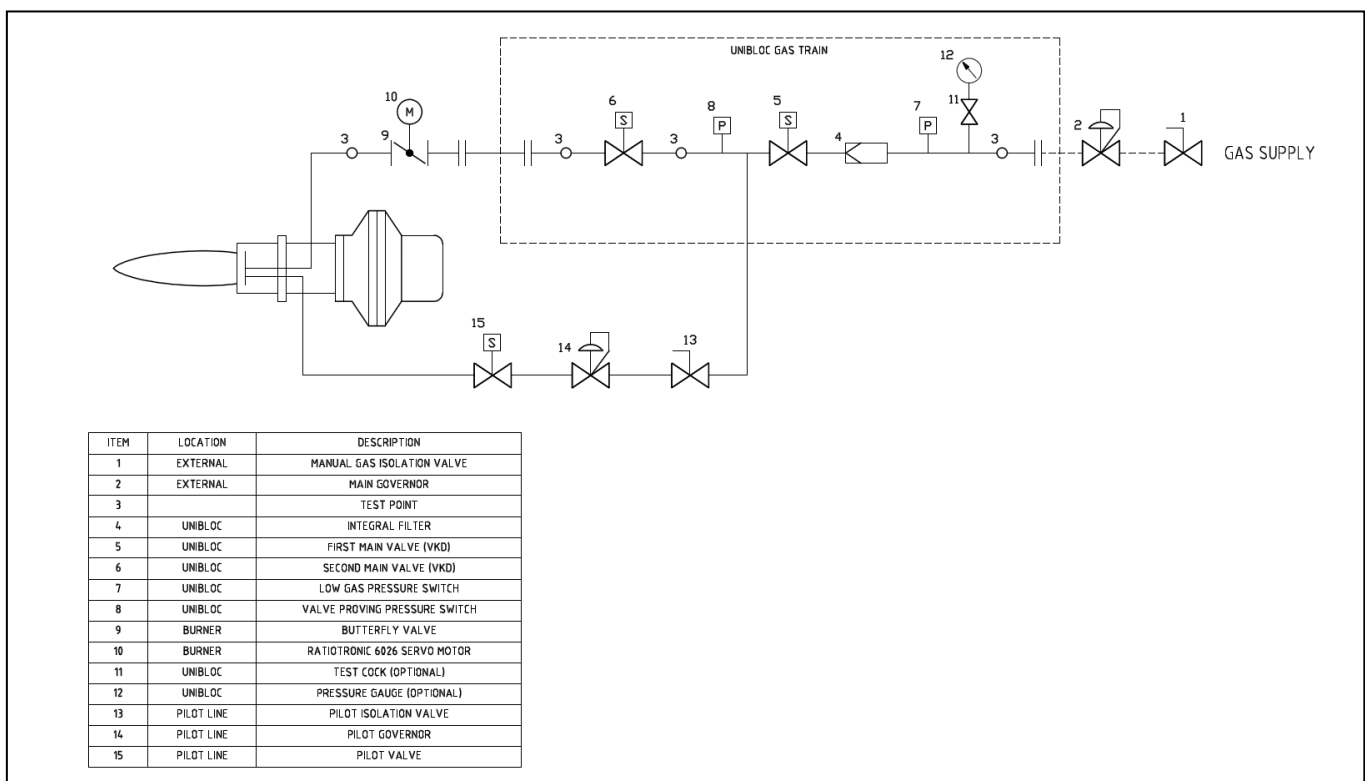


BURNER SCHEMATICS - ELECTRICAL MODULATING

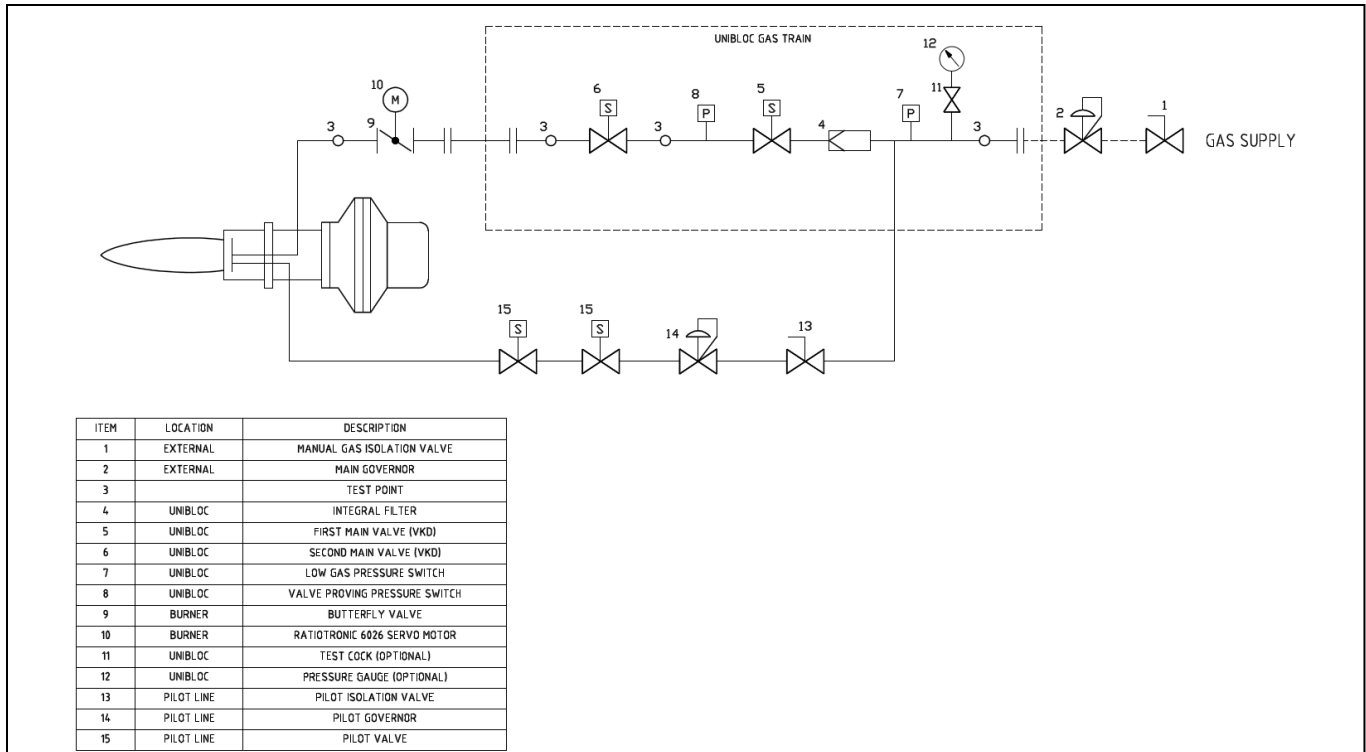
Typical Gas Line Schematic for Electronic Modulating Burners without Gas Pilot Line



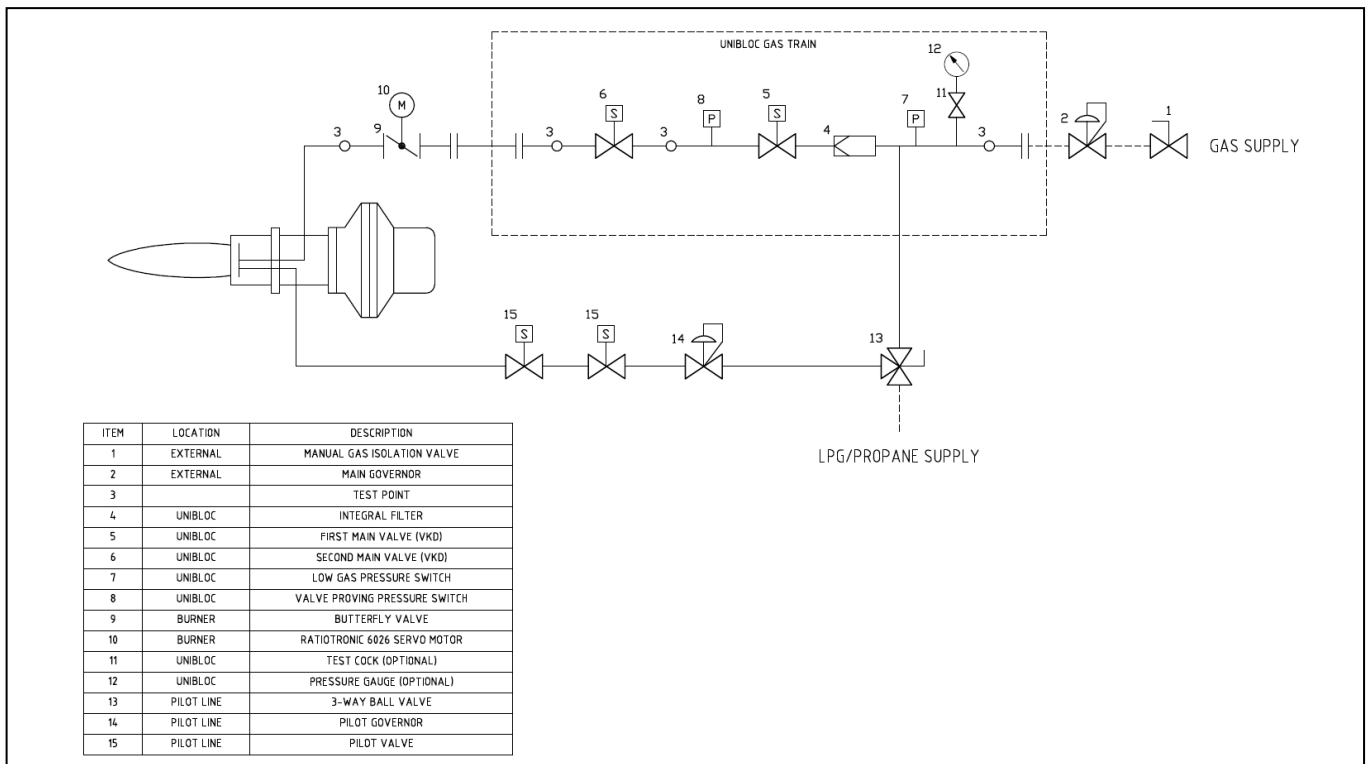
Typical Gas Line Schematic for Electronic Modulating Burners with Gas Pilot Line (Single Valve)



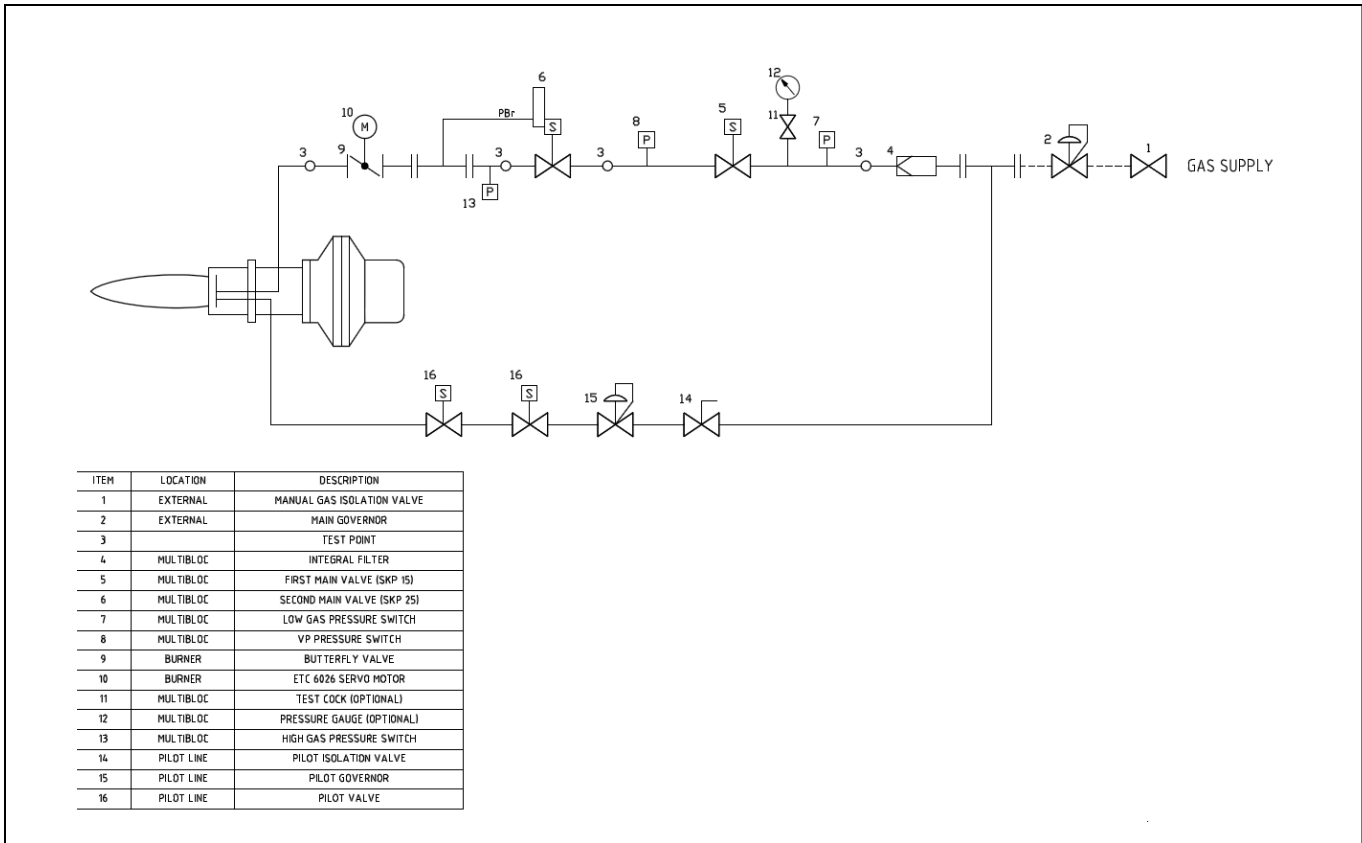
Typical Gas Line Schematic for Electronic Modulating Burners with Gas Pilot Line (Twin Valve)



Typical Gas Line Schematic for Electronic Modulating Burners with Gas Pilot Line (Twin Valve) and Optional LPG / Propane Connection



Typical Gas Line Schematic for Electronic Modulating Burners with VGD Multiblock with Gas Pilot Line (Twin Valve)



STANDARD SPECIFICATION DATA

BURNER TYPE	Firing Rate kW		GAS VOLUME (m3/HR) *1		FIRING MODE OPTIONS	Motor kW	Motor Current	Voltage	Hz	Ph	Running Current	Weight (Kg)
	MIN*3	MAX	MIN	MAX	Electronic Modulation *2							
TG6.1200Z	1200	12000	96	1107	✓	28.5	52 Amp	400	50	3	56 Amp	660
TG6.1400Y	1400	14000	129	1291	✓	37	64 Amp	400	50	3	68 Amp	680

*1 – Based on Nat. Gas C.V 10.84 kW/m³

*2 - Fitted with a Ratiotronic 6000 system

*3 - Based on 10:1 turn down fitted with VSD

COMBUSTION HEAD

The Dunphy gas combustion head incorporates a two-stage fuel/air mixing system which eliminates low frequency resonance and allows maximum combustion efficiency with minimum emission levels.

This system combined with smooth ignition and extreme reliability make Dunphy combustion equipment the most sensible choice for all heating and process applications.

ULTRA LOW NO_x BURNERS

All Dunphy T-Series burners are fitted with low NO_x combustion heads as standard equipment.

As an optional extra all burners in this range can be fitted with an internal recirculation system to achieve ultralow NO_x emissions.

Dunphy Combustion Ltd has a policy of continuous development and reserve the right to change prices and specifications without prior notice.

Dunphy Combustion Ltd. has a policy of continuous development and reserve the right to change prices and specifications without prior notice