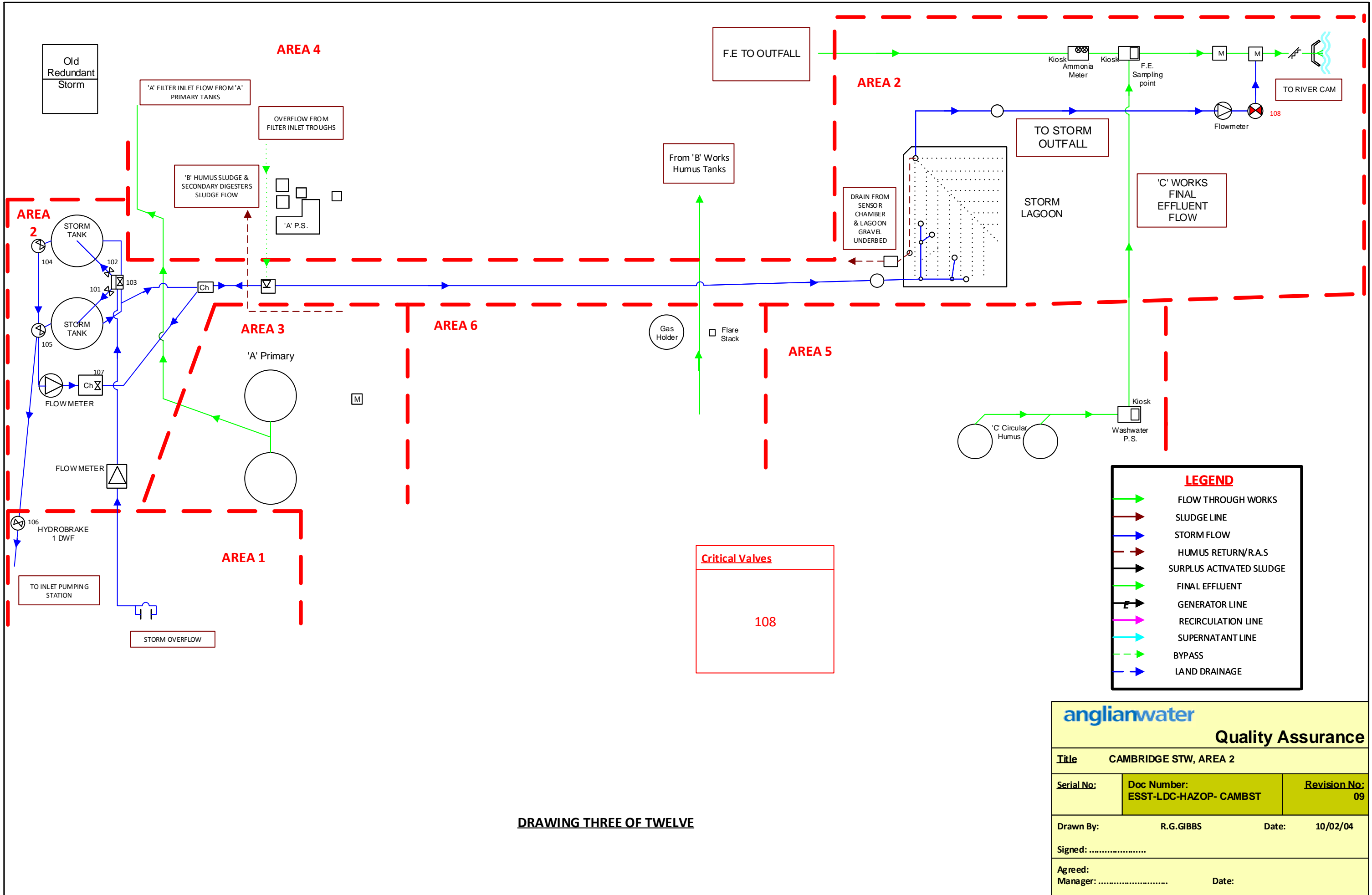


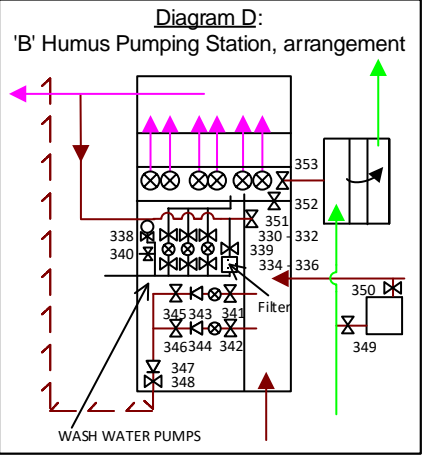
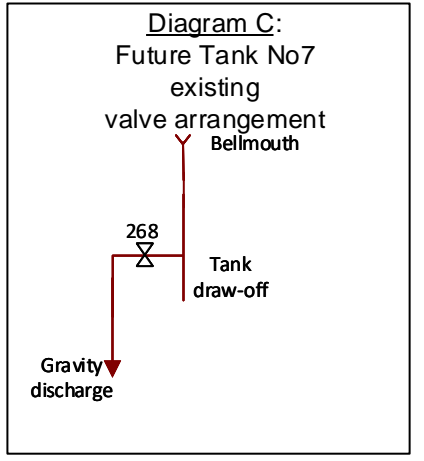
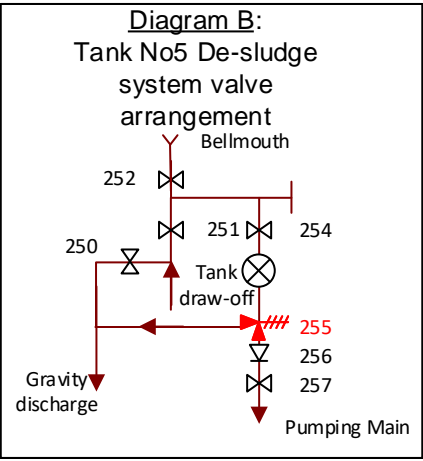
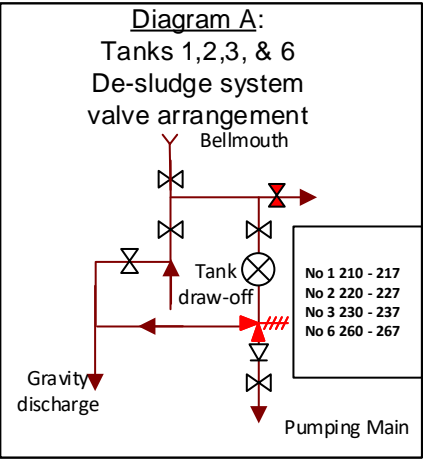
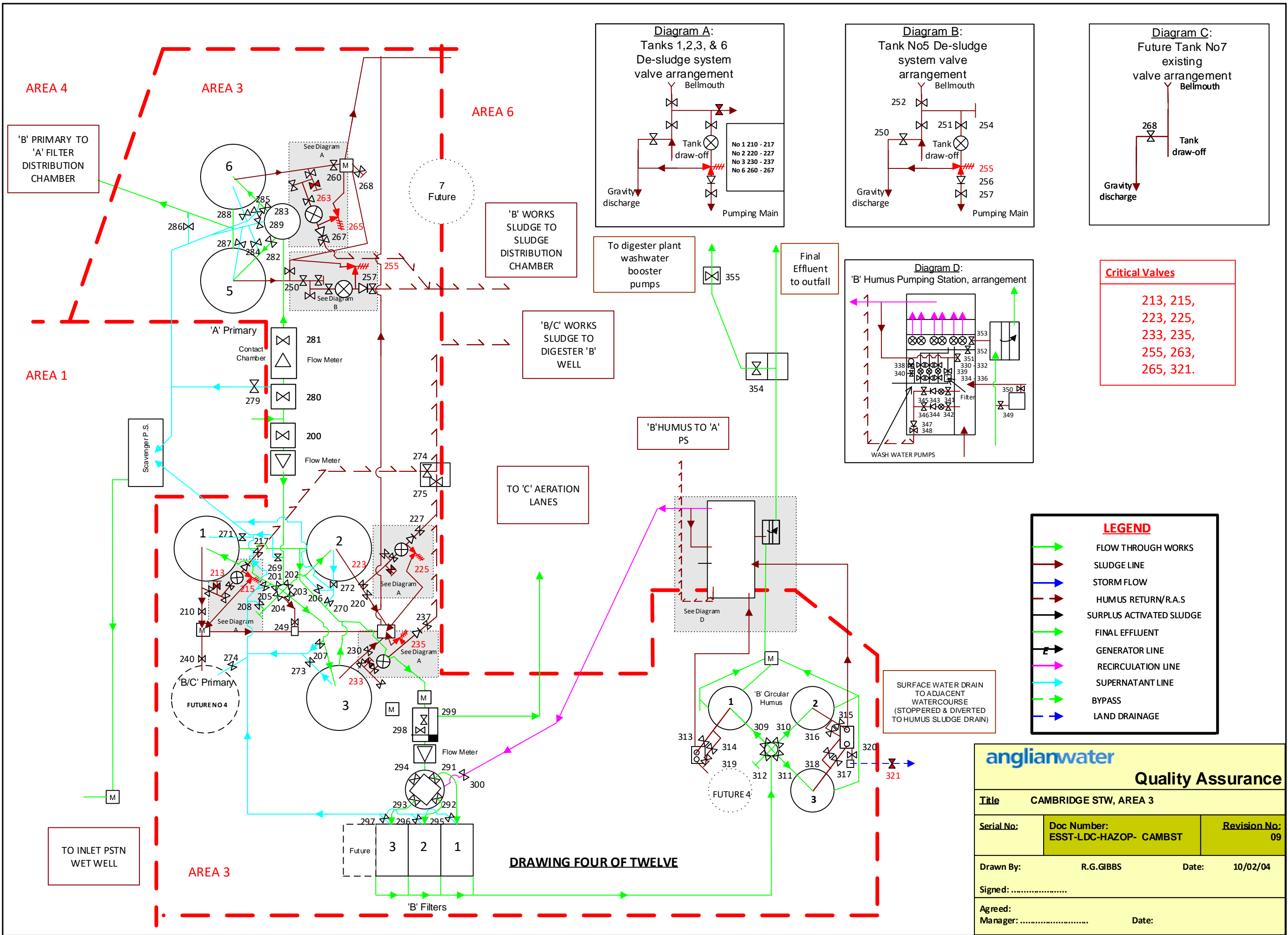
LEGEND	
	FLOW THROUGH WORKS
	SLUDGE LINE
	STORM FLOW
	HUMUS RETURN/R.A.S
	SURPLUS ACTIVATED SLUDGE
	FINAL EFFLUENT
	GENERATOR LINE
	RECIRCULATION LINE
	SUPERNATANT LINE
	BYPASS
	LAND DRAINAGE

DRAWING TWO OF TWELVE

Quality Assurance		
Title CAMBRIDGE STW, AREA 1		
Serial No:	Doc Number: ESST-LDC-HAZOP- CAMBST	Revision No: 09
Drawn By: R.G.GIBBS	Date: 10/02/04	
Signed:		
Agreed:		
Manager:		Date:



DRAWING THREE OF TWELVE

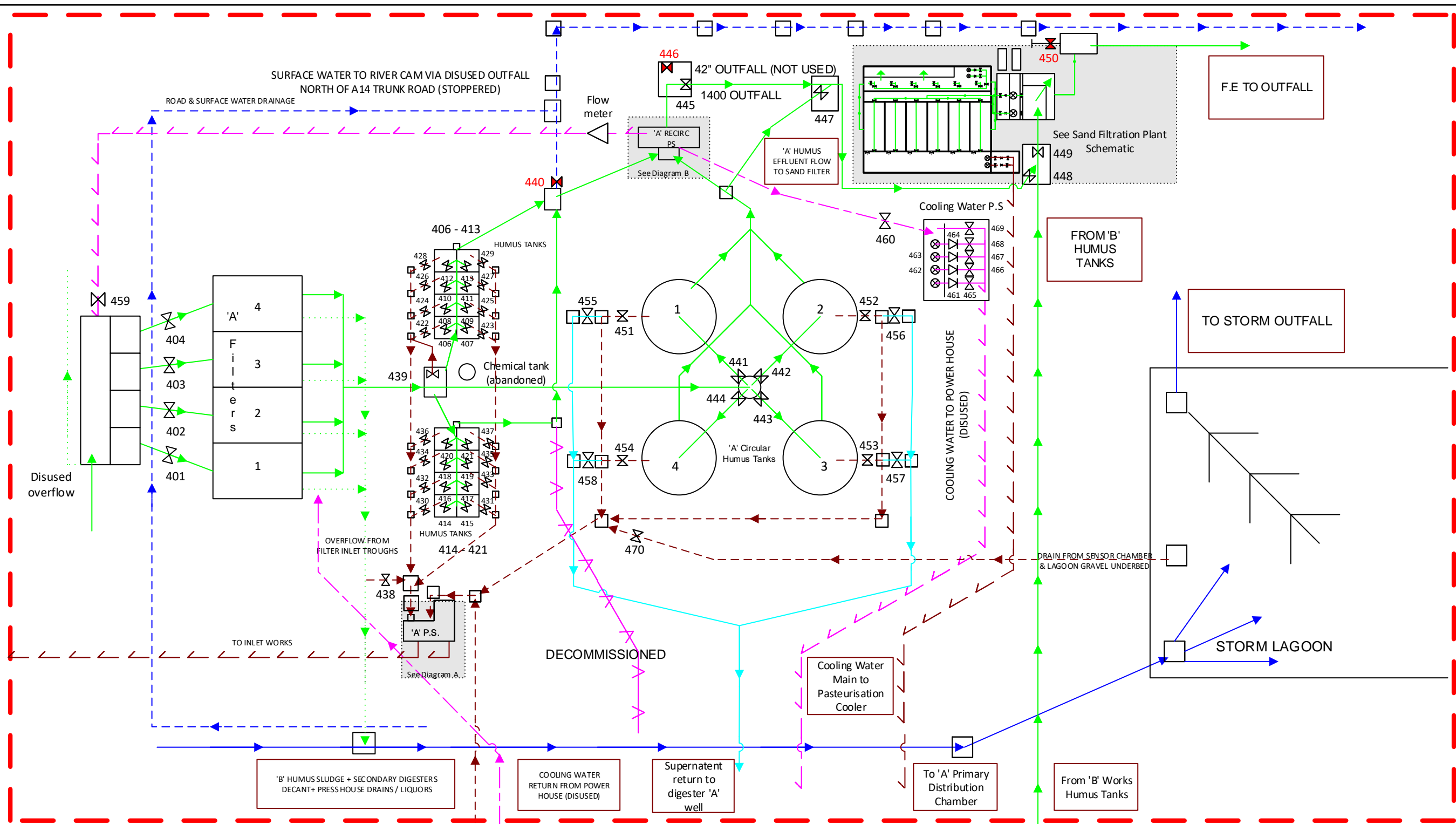


- Critical Valves**
- 213, 215,
223, 225,
233, 235,
255, 263,
265, 321.

- LEGEND**
- FLOW THROUGH WORKS
 - SLUDGE LINE
 - STORM FLOW
 - HUMUS RETURN/R.A.S
 - SURPLUS ACTIVATED SLUDGE
 - FINAL EFFLUENT
 - GENERATOR LINE
 - RECIRCULATION LINE
 - SUPERNATANT LINE
 - BYPASS
 - LAND DRAINAGE

anglianwater		
Quality Assurance		
Title CAMBRIDGE STW, AREA 3		
Serial No:	Doc Number: ESST-LDC-HAZOP- CAMBST	Revision No: 09
Drawn By: R.G.GIBBS	Date: 10/02/04	
Signed:		
Agreed:		
Manager:		Date:

DRAWING FOUR OF TWELVE



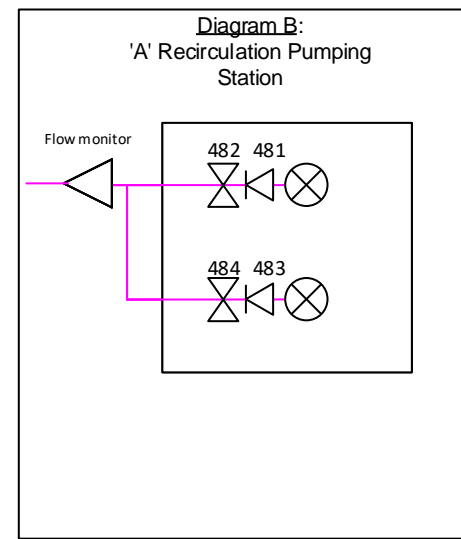
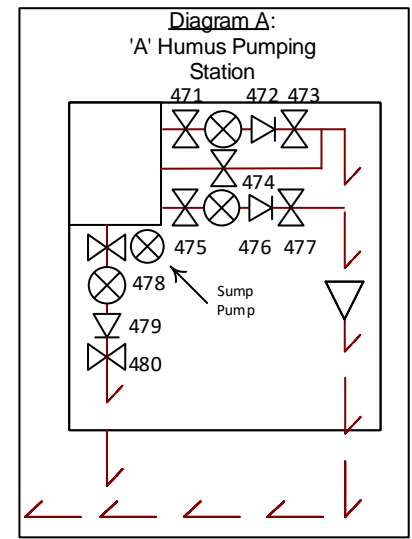
LEGEND

- FLOW THROUGH WORKS
- SLUDGE LINE
- STORM FLOW
- HUMUS RETURN/R.A.S
- SURPLUS ACTIVATED SLUDGE
- FINAL EFFLUENT
- GENERATOR LINE
- RECIRCULATION LINE
- SUPERNATANT LINE
- BYPASS
- LAND DRAINAGE

Critical Valves

440, 446, 450

DRAWING FIVE OF TWELVE



anglianwater		
Quality Assurance		
Title CAMBRIDGE STW, AREA 4		
Serial No:	Doc Number: ESST-LDC-HAZOP- CAMBST	Revision No: 09
Drawn By: R.G.GIBBS	Date: 10/02/04	
Signed:		
Agreed:		
Manager:		Date: