

PRELIMINARY DRAWING FOR
CONSENTING PURPOSES – NOT
FOR CONSTRUCTION

Project:

Anderton Boat-Lift

Client:

H2O Power

Drawing Title:

Pipe Line

File Name:

EABL-DWG-Pipe Line-C-120618-DM

Scale:
1:600 @ A3

Revision:
C

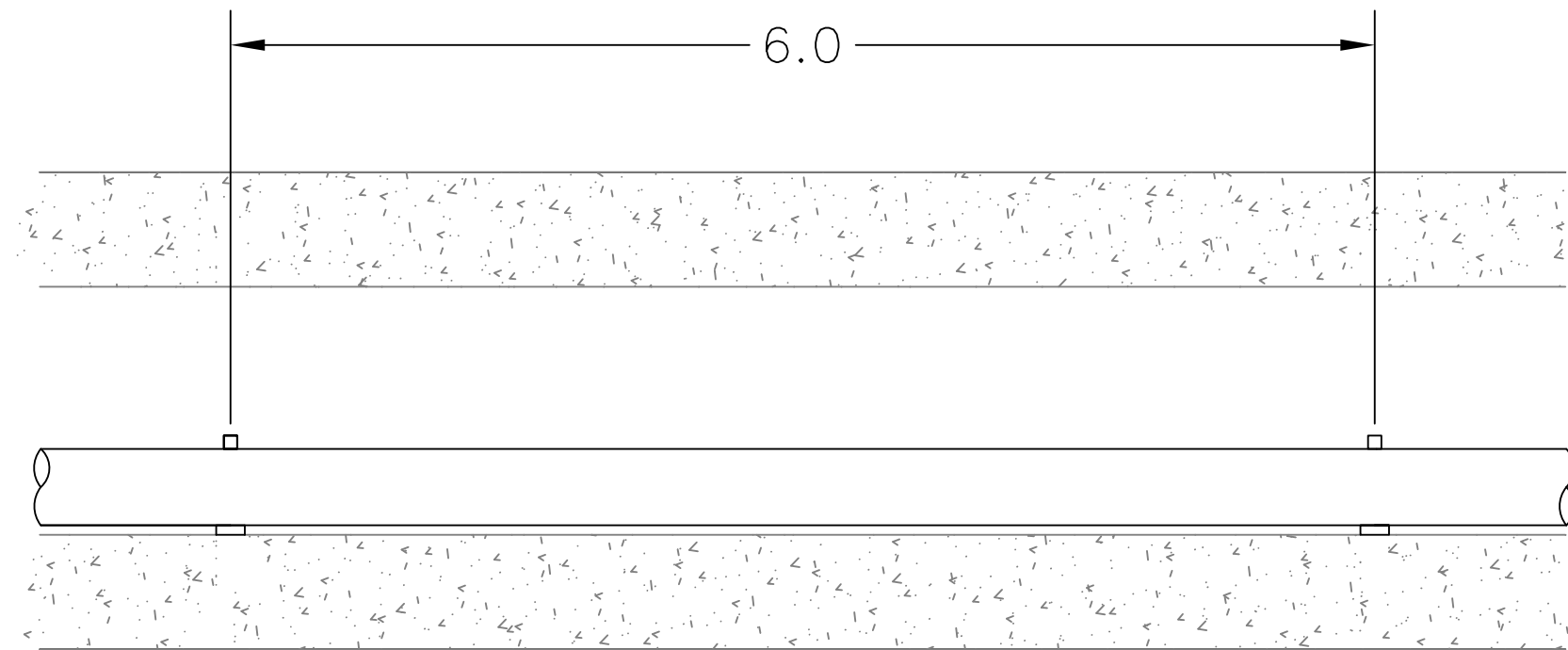
Sheet:
1 OF 1

Drawn by:
DM

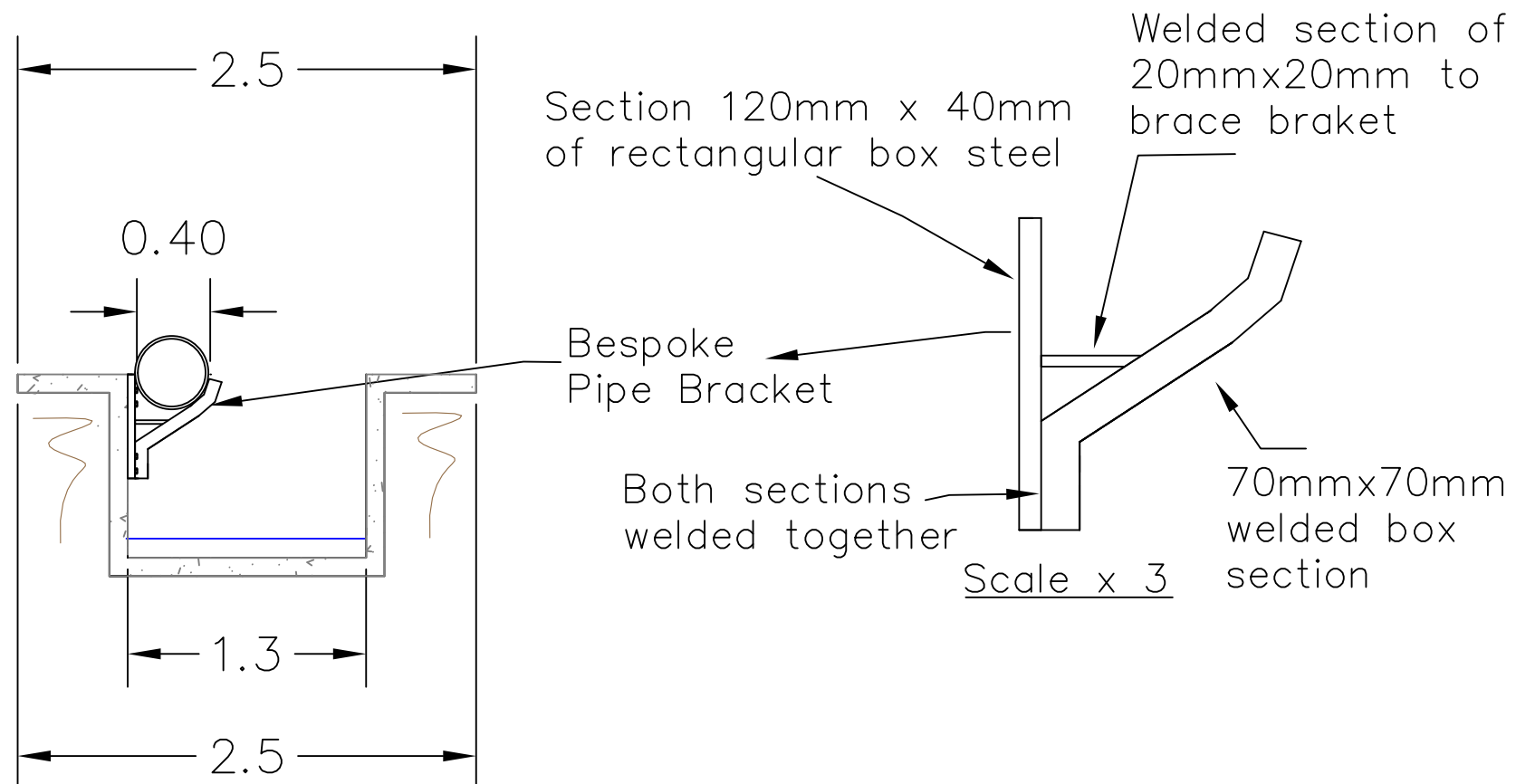
Date:
12/06/2018

Taken from OS Mastermap 1:1250
© Crown copyright. All rights reserved 2015.
License number 100022432

NOTES:



Penstock Pipe will be placed
over the centre of the leat



Revisions

| Rev | Description | Approved | Issued |
|-----|--------------------------------|----------|----------|
| A | Original | DM | 19/03/18 |
| B | Pipe line in channel design | DM | 06/06/18 |
| C | Pipe line above channel design | DM | 12/06/18 |
| | | | |
| | | | |
| | | | |
| | | | |
| | | | |
| | | | |