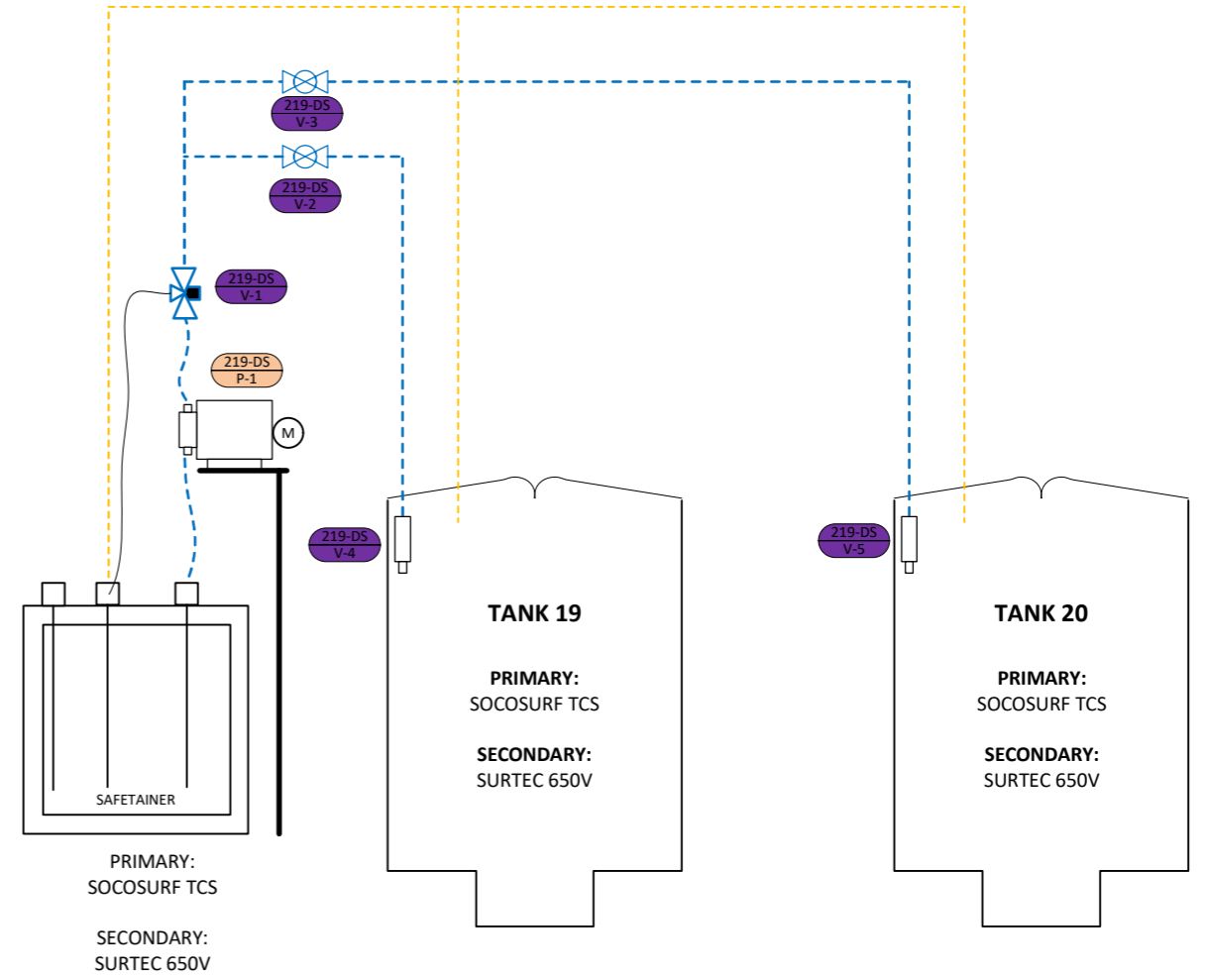
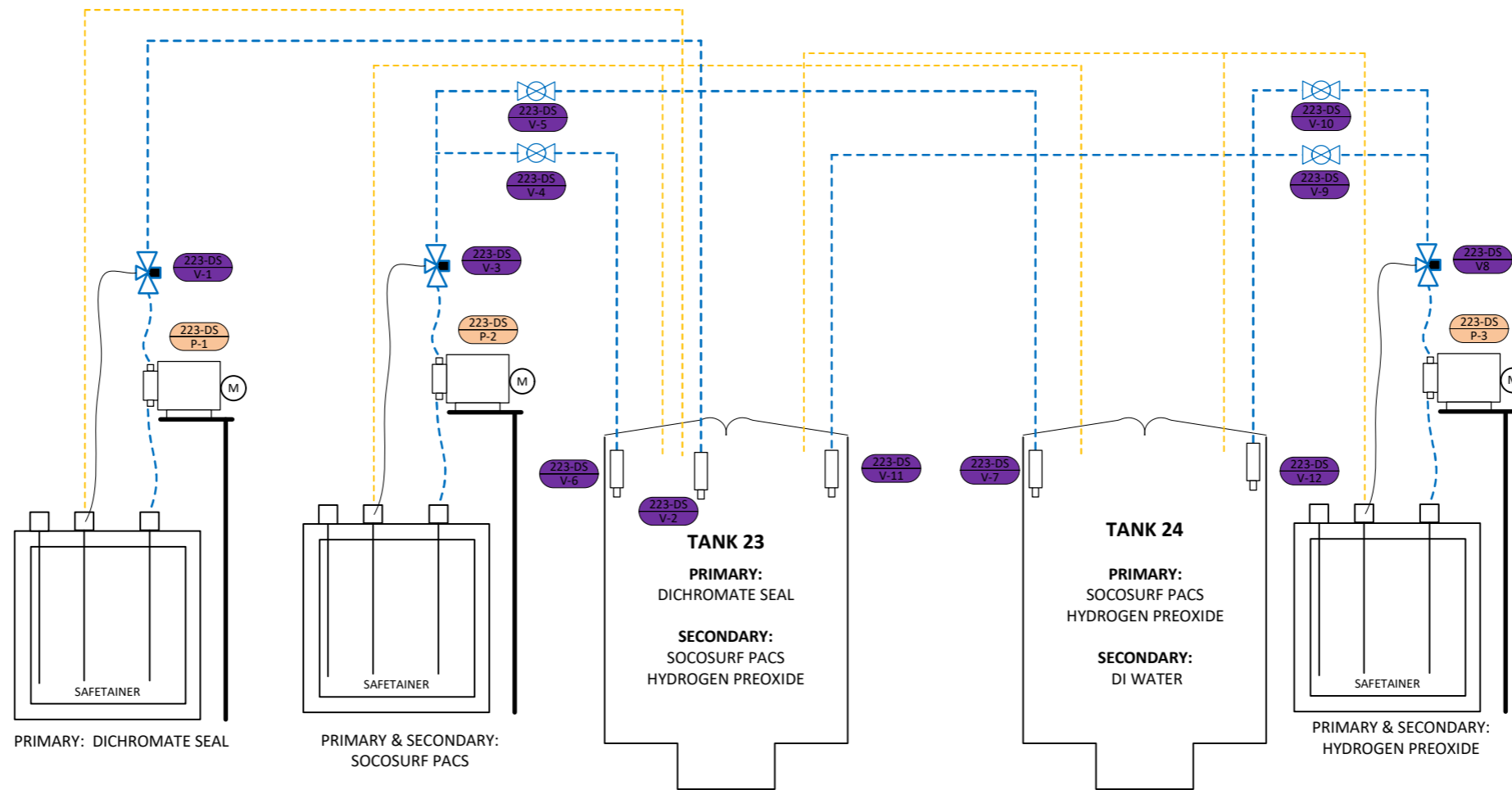


Station 18



Station 19



Station 23

Chemical Dosing
Ventilation
Air Agitation

HARDWIRED
 230Vac →
 Start / Stop Pump (Pulsed) →
 Pump Alarm ←
 Pump Running ←

DOSING PUMP

BATCH DOSING:
 - Pump Enabled
 - Input quantity at pump
 - Start pump via HMI
 - Pump runs until input quantity is dosed.

G	PRODUCTION ISSUE	JULY 23
F	PRODUCTION ISSUE	JUNE 23
E	PRODUCTION ISSUE	MAY 2023
D	PRODUCTION ISSUE	APR 2023
NO.	REVISIONS	DATE

This drawing and its designs are part of the intellectual property of GEORGE KOCH SONS EUROPE LTD. And may not be copied or used without the written permission of GEORGE KOCH SONS EUROPE LTD. This drawing, its designs and any information hereon may not be disclosed to any third party without the written permission of GEORGE KOCH SONS EUROPE LTD.

KOCH Europe
 George Koch Sons Europe Ltd
 City House, Davidson Road,
 Lichfield, Staffordshire. WS14 9DZ
 Tel: 01543 444001
 Email: office@kocheurope.com

JOB	J00620
	CHEMICAL STORAGE AND DOSING 3 OF 3
FOR	BAe ANODISING PLANT
Drawn by	Scale
Checked by	Date
Drawn No.	J00620 - 32 -039

A3