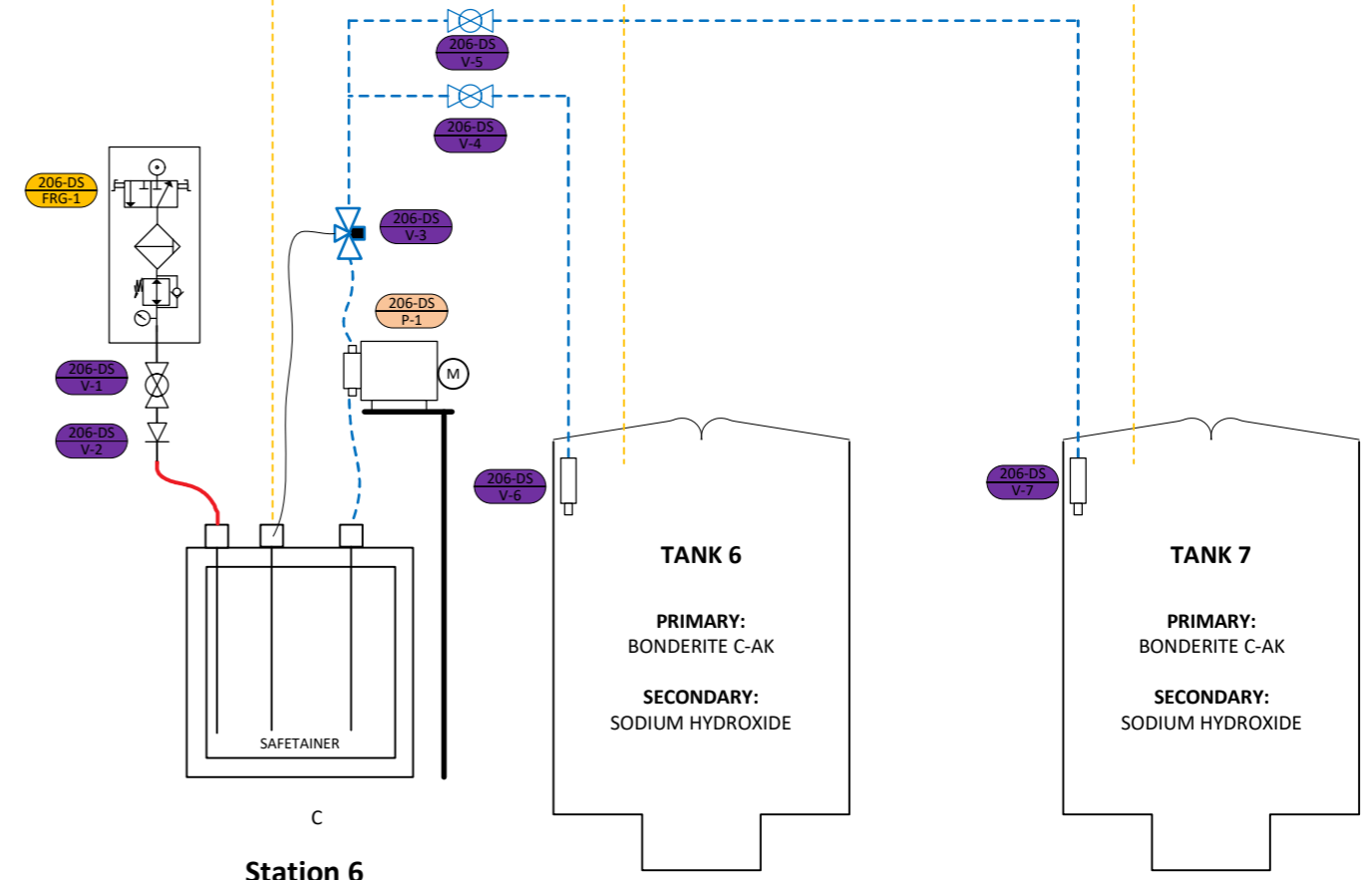
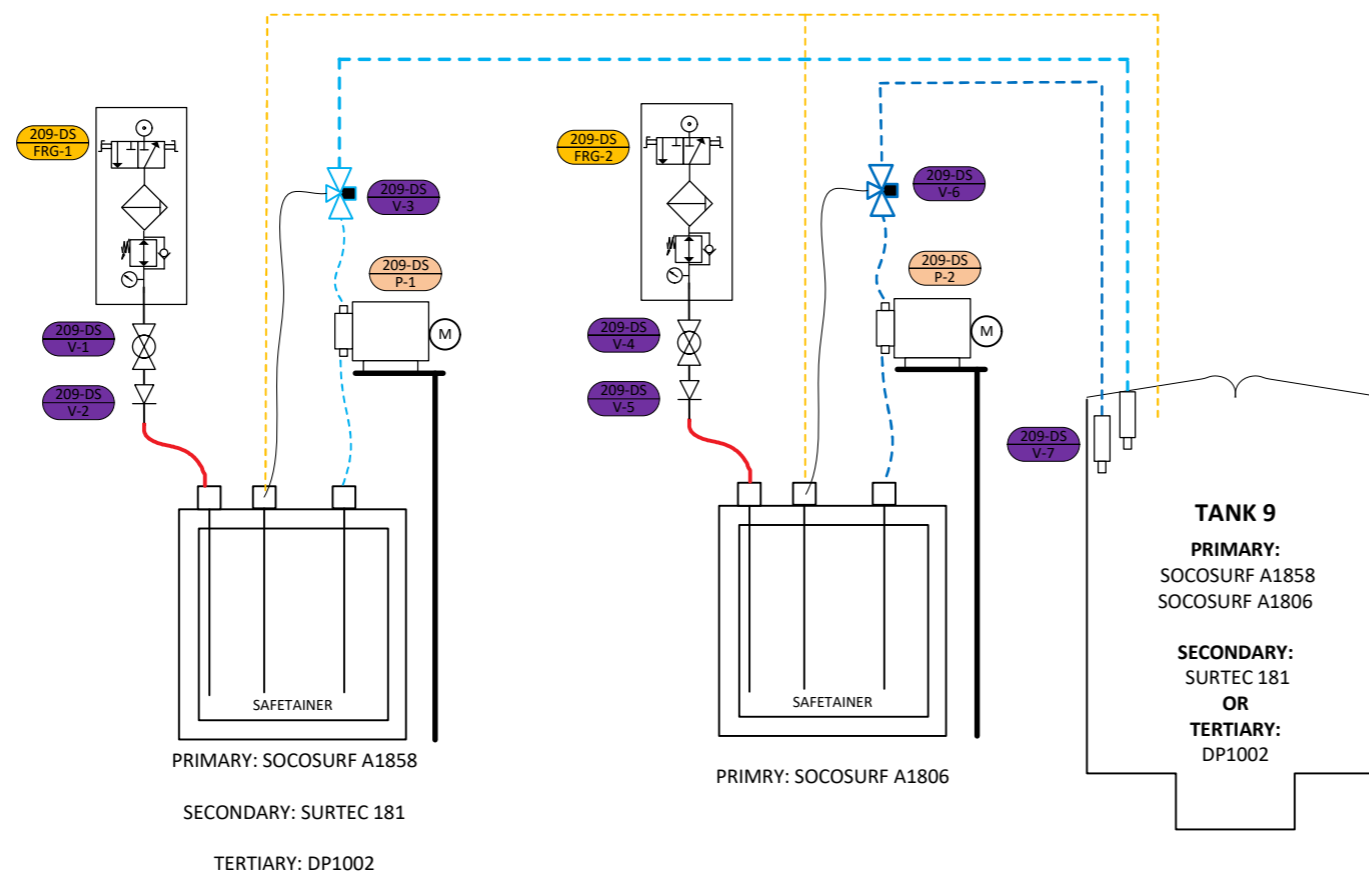


Station 2



Station 6



Station 9

Chemical Dosing
Ventilation
Air Agitation

HARDWIRED 230Vac

DOSING PUMP

Start / Stop Pump (Pulsed) →
Pump Alarm ←
Pump Running ←

BATCH DOSING:

- Pump Enabled
- Input quantity at pump
- Start pump via HMI
- Pump runs until input quantity is dosed.

G	PRODUCTION ISSUE	JULY 23
F	PRODUCTION ISSUE	JUNE 23
E	PRODUCTION ISSUE	MAY 2023
D	PRODUCTION ISSUE	APR 2023
NO.	REVISIONS	DATE

This drawing and its designs are part of the intellectual property of GEORGE KOCH SONS EUROPE LTD. And may not be copied or used without the written permission of GEORGE KOCH SONS EUROPE LTD. This drawing, its designs and any information hereon may not be disclosed to any third party without the written permission of GEORGE KOCH SONS EUROPE LTD.

KOCH Europe

George Koch Sons Europe Ltd
City House, Davidson Road,
Lichfield, Staffordshire. WS14 9DZ
Tel: 01543 444001
Email: office@kocheurope.com

JOB	J00620
FOR	CHEMICAL STORAGE AND DOSING 1 OF 3 B Ae ANODISING PLANT
Drawn by	Scale
Checked by	Date
Drawn No.	J00620 - 32 - 037
	A3