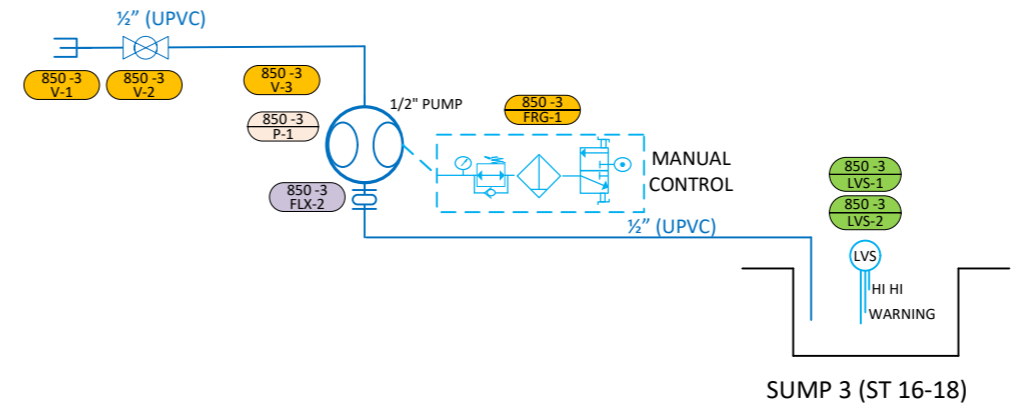


216 PX-5 RHS PX  
 216 PX-6 LHS PX  
**Tank Occupied**

16 - D.I Rinse  
 Tank Material 316 S.S  
 Temperature Ambient  
 Working Volume 14405L  
 LP. Air Agitation 0.030m³/s  
 CHEMISTRY: DI WATER



SPRAY NOZZLE DETAILS				
REF No.	No. Nozzles per ring	Flow Rate per NZL (l/m)	Pressure (Bar)	Type
216-SP-NZ	14 Nz / Ring x 2 Rings	8.5	3.0	Vee Jet, SS, 1/4" thread PNR: DDU2229481

No.	Revision	Date
G	PRODUCTION ISSUE	JULY 23
F	PRODUCTION ISSUE	JUNE 23
E	PRODUCTION ISSUE	MAY 2023
D	PRODUCTION ISSUE	APR 2023

This drawing and its designs are part of the intellectual property of GEORGE KOCH SONS EUROPE LTD. And may not be copied or used without the written permission of GEORGE KOCH SONS EUROPE LTD. This drawing, its designs and any information hereon may not be disclosed to any third party without the written permission of GEORGE KOCH SONS EUROPE LTD.

George Koch Sons Europe Ltd  
 City House, Davidson Road,  
 Lichfield, Staffordshire. WS14 9DZ  
 Tel: 01543 444001  
 Email: office@kocheurope.com

JOB	J00620
FOR	TANK 16: DI WATER RINSE BAe ANODISING PLANT
Drawn by	DSH
Checked by	...
Scale	...
Date	22.06.2022
Drawn No.	J00620 - 32 - 016
	A3