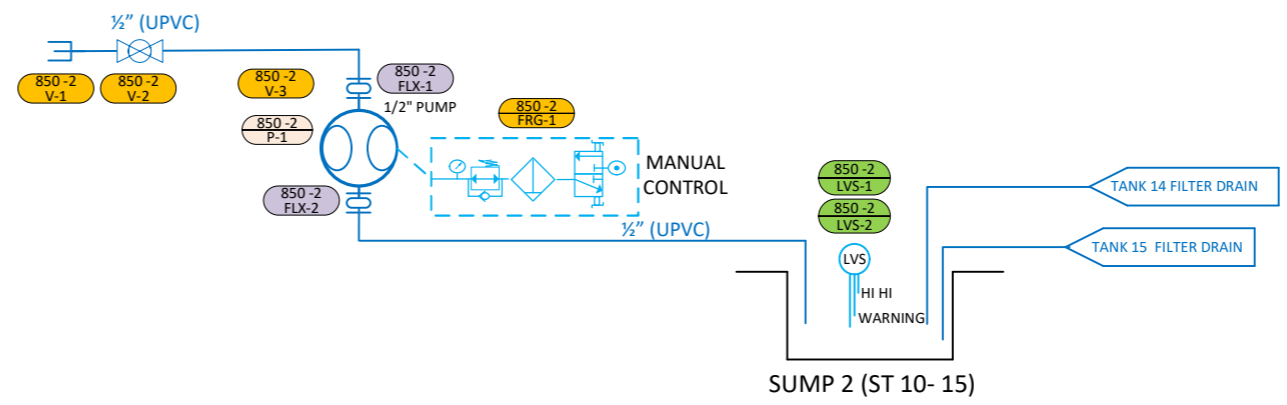


HEAT EXCHANGER DETAILS				
REF No.	Capacity (kW) Total	Temp Inlet / Outlet (°C)	Flow Rate (kg/s) Total	Connection
211 - HX 1	30	82 / 71	1.04	1" Union
Stainless Steel 304 Fluoropolymer Coated				



G	PRODUCTION ISSUE	JULY 23
F	PRODUCTION ISSUE	JUNE 23
E	PRODUCTION ISSUE	MAY 2023
D	PRODUCTION ISSUE	APR 2023
No.	Revisions	Date
This drawing and its designs are part of the intellectual property of GEORGE KOCH SONS EUROPE LTD. And may not be copied or used without the writers permission of GEORGE KOCH SONS EUROPE LTD. This drawing, its designs and any information heron may not be disclosed to any third party without the written permission of GEORGE KOCH SONS EUROPE LTD.		
 George Koch Sons Europe Ltd City House, Davidson Road, Lichfield, Staffordshire. WS14 9DZ Tel: 01543 444001 Email: office@kocheurope.com		
JOB	J00620	
FOR	TANK 11: TI ETCH / PICKLE	
FOR	BAE ANODISING PLANT	
Drawn by	DSH	Scale
Checked by	...	Date
Drawn No.	J00620 - 32 - 011	A3