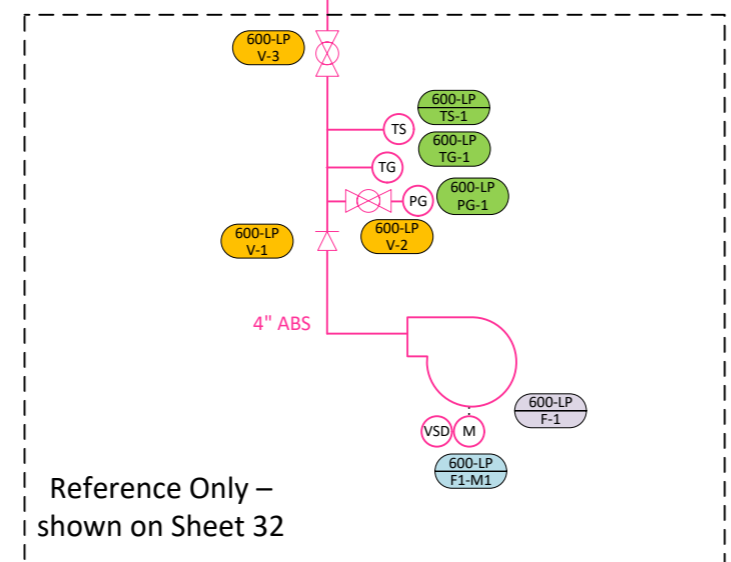


**Padlocked Shared Tanker Transfer Key**



HEAT EXCHANGER DETAILS				
REF No.	Capacity (kW) Total	Temp Inlet / Outlet (°C)	Flow Rate (kg/s) Total	Connection
202 - HX 1-2	83	82 / 71	2.06	1" Union
Stainless Steel 316L				

BLOWER DETAILS				
REF No.	Flow Rate (m³/h)	Pressure (mbar g)	Motor Size (kW)	Drive
600-LP - F1	1050 m³/h	+360	26 kW	VSD

No.	REVISIONS	DATE
G	PRODUCTION ISSUE	JULY 23
F	PRODUCTION ISSUE	JUNE 23
E	PRODUCTION ISSUE	MAY 2023
D	PRODUCTION ISSUE	APR 2023

This drawing and its designs are part of the intellectual property of GEORGE KOCH SONS EUROPE LTD. And may not be copied or used without the written permission of GEORGE KOCH SONS EUROPE LTD. This drawing, its designs and any information herein may not be disclosed to any third party without the written permission of GEORGE KOCH SONS EUROPE LTD.

George Koch Sons Europe Ltd  
City House, Davidson Road,  
Lichfield, Staffordshire. WS14 9DZ  
Tel: 01543 444001  
Email: office@kocheurope.com

JOB	J00620		
FOR	TANK 2: ALKALINE CLEAN		
FOR	BAe ANODISING PLANT		
Drawn by	DSH	Scale	...
Checked by	...	Date	22.06.2022
Drawn No.	J00620 - 32 - 002		A3